

6

5

4

3

2

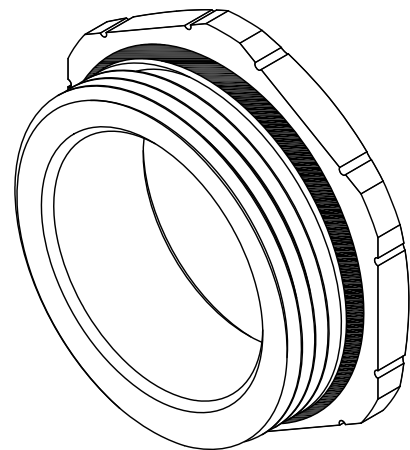
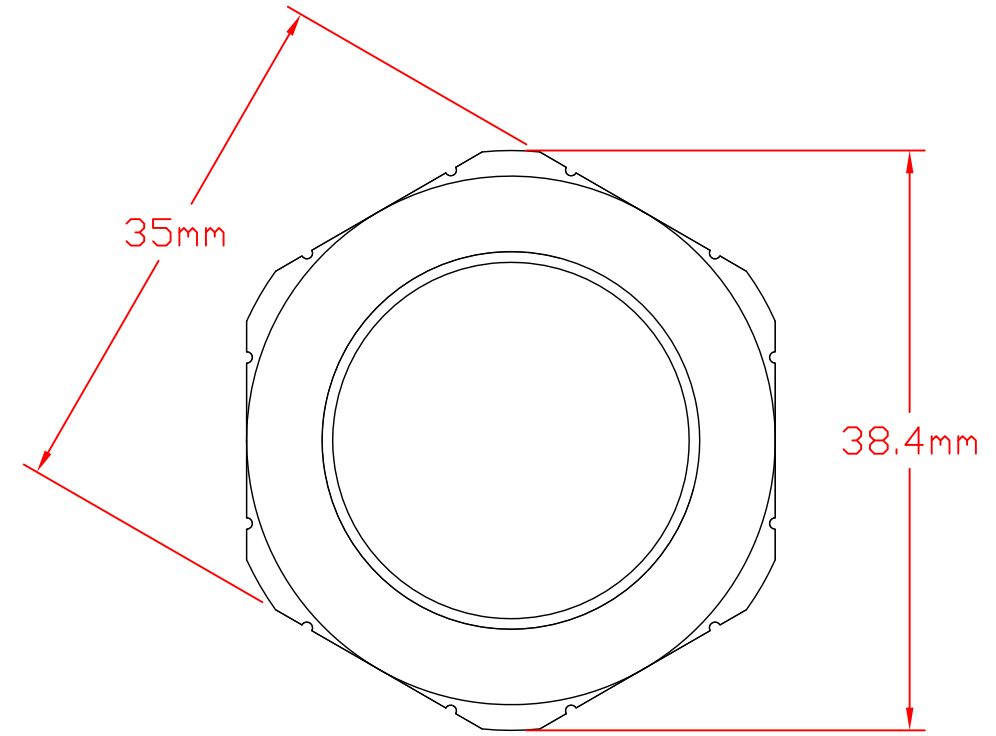
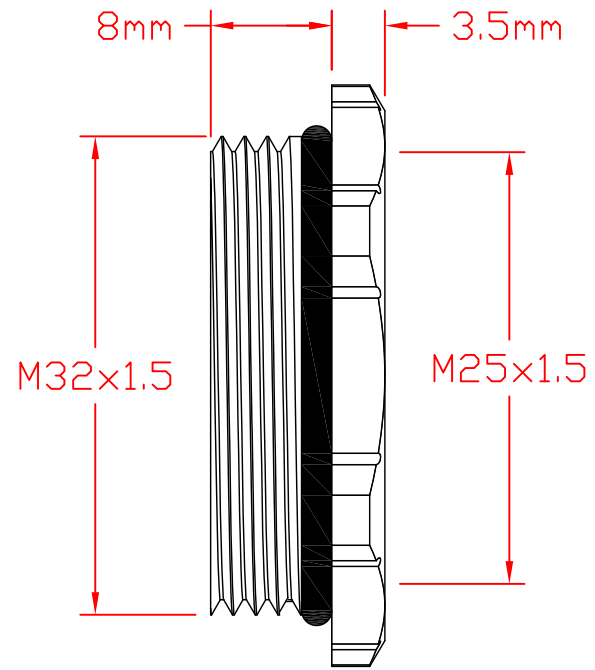
1

D

C

B

A



DESCRIPTION	REV	DATE	INITIALS	HARTING PART NUMBER	REVISION
				73 00 000 5347	
				DESCRIPTION	
				Thread Decreaser w/O-Ring	
				Nickel Plated Brass	
				M32 (Male) to M25 (Female)	
Initial Release	00	02/24/17	D.G.	DRAWING NUMBER	
				73000005347	00
This drawing is property of HARTING Manufacturing Inc. No exploitation or transfer of information contained herein is permitted without written consent / agreement of HMI.				HARTING INC. OF NORTH AMERICA 1370 BOWES ROAD ELGIN, IL 60123 PH: (847) 741-1500	REFERENCE 73000005347 SHEET 1/1

