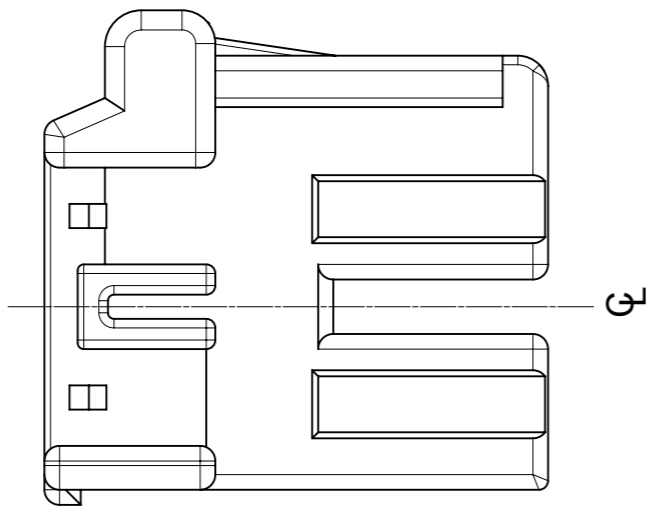
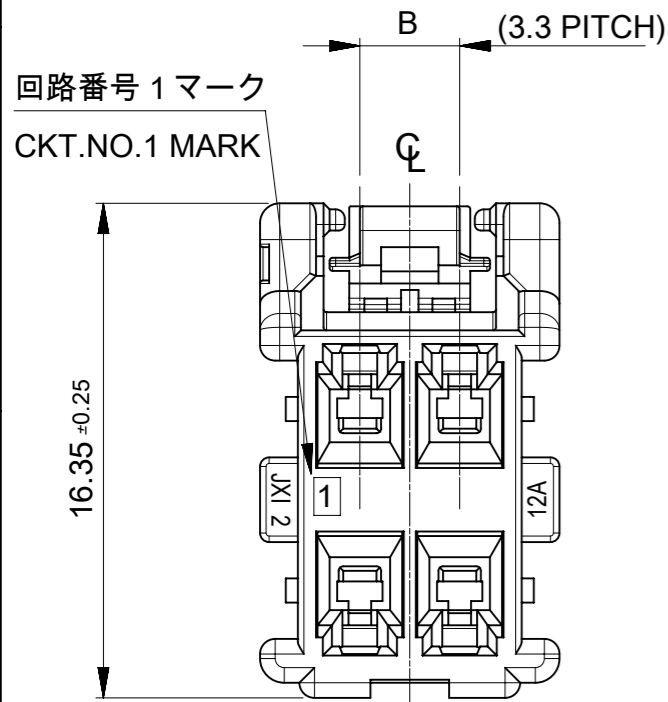
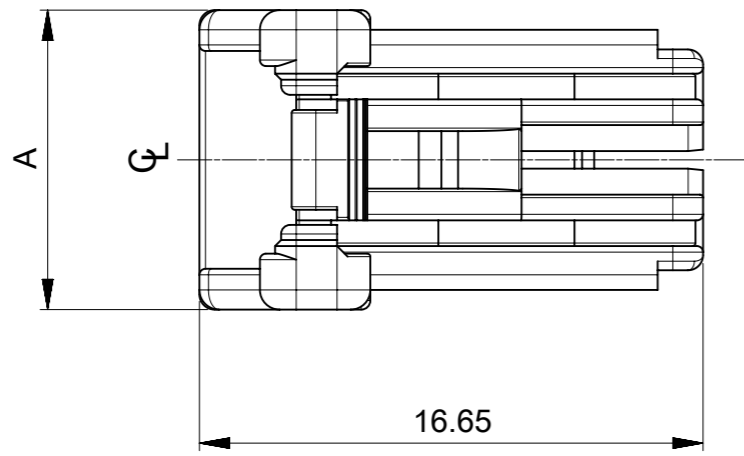
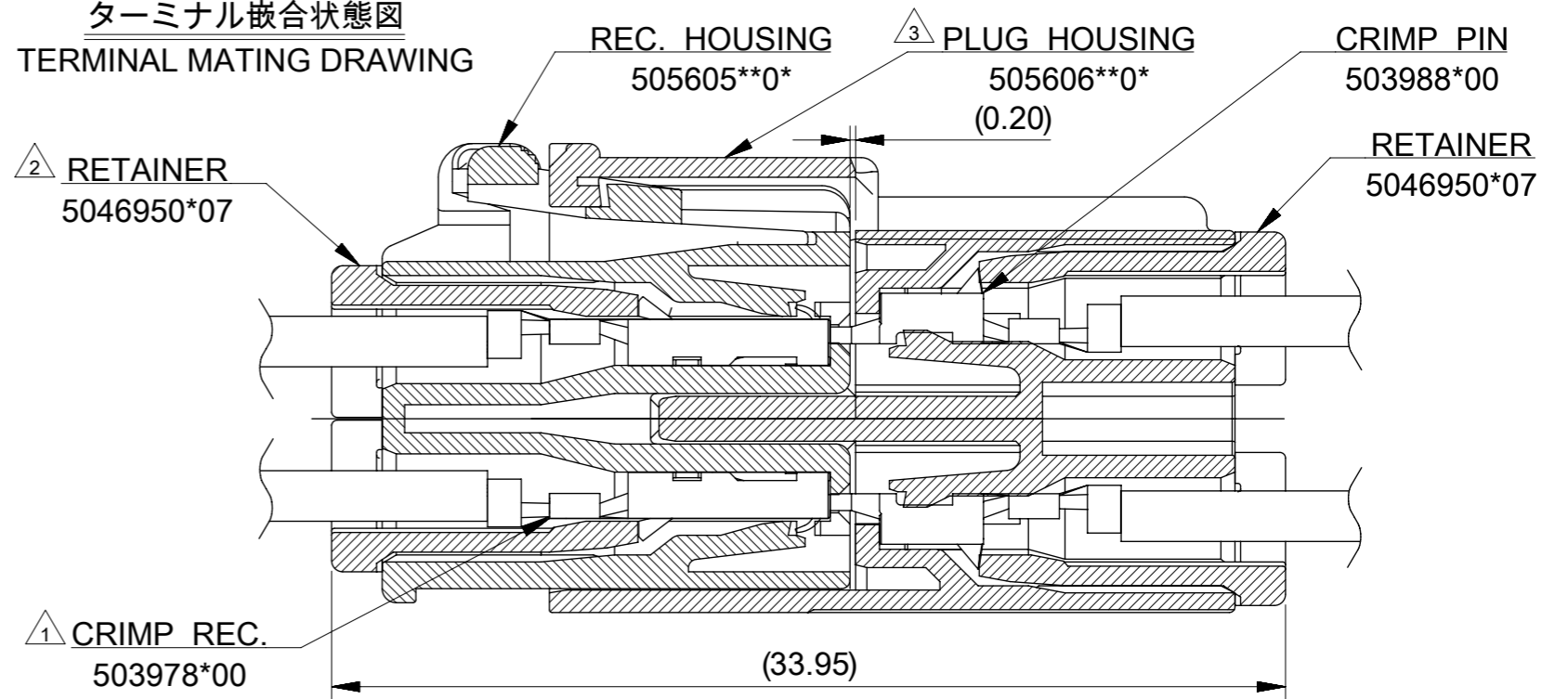


SHAPE OF 4CKTS



ターミナル嵌合状態図  
TERMINAL MATING DRAWING



注記  
NOTES

- △1 適合ターミナル : 50397 シリーズ  
APPLICABLE TERMINAL : 50397 SERIES
- △2 適合リテーナー : 504695 シリーズ  
APPLICABLE RETAINER : 504695 SERIES
- △3 嵌合相手 : 505606 シリーズ  
MATE WITH : 505606 SERIES
- 4. 材質 : POLYESTER(PBT),UL94V-0  
MATERIAL : POLYESTER(PBT),UL94V-0

5. MATERIAL NO. は以下の内容を示す。  
MATERIAL No. :  
505605\*\*0\*  
極数 CKT. | 色 COLOR  
0:自然色 NATURAL  
1:黒 BLACK  
2:赤 RED  
3:黄 YELLOW

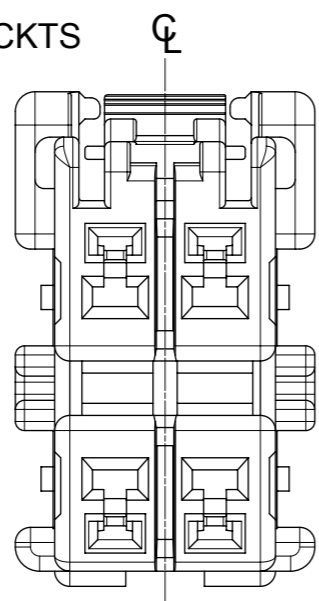
16.5	23.1	12	505605120*	505605**0*
13.2	19.8	10	505605100*	
9.9	16.5	8	505605080*	
6.6	13.2	6	505605060*	
3.3	9.9	4	505605040*	
(B)	A	極数 CKT.	BAG PACKAGE	MODEL NO.
			オーダー番号 ORDER NO.	

THIS DRAWING CONTAINS INFORMATION THAT IS PROPRIETARY TO MOLEX ELECTRONIC TECHNOLOGIES, LLC AND SHOULD NOT BE USED WITHOUT WRITTEN PERMISSION

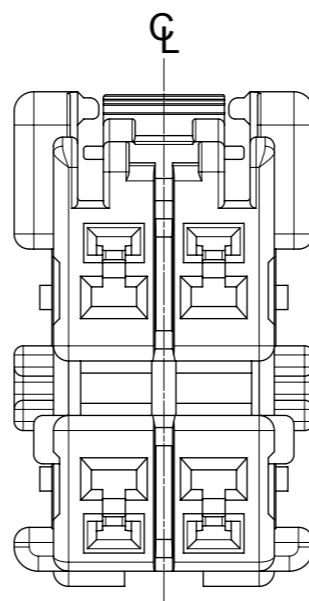
EC NO: 116152 DRWN: NITO CHK'D: SAKIYAMA APPR: TKANEKO	2017/05/01	2017/05/01	2017/05/01	GENERAL TOLERANCES (UNLESS SPECIFIED) ANGULAR TOL ± 3.0 ° 4 PLACES ± 0.2 3 PLACES ± 0.2 2 PLACES ± 0.2 1 PLACE ± 0.2 0 PLACES ± 0.2 DRAFT WHERE APPLICABLE MUST REMAIN WITHIN DIMENSIONS	DIMENSION UNITS	SCALE				
					MM	4:1				
					DRWN BY	DATE		KOMORI 2016/11/02		
					CHK'D BY	DATE		SAKIYAMA 2017/02/08		
					APPR BY	DATE	TKANEKO 2017/02/08			
					DRAWING SIZE	THIRD ANGLE PROJECTION	SERIES	MATERIAL NUMBER	CUSTOMER	
					A3		505605	5056050000	GENERAL	
							DOCUMENT NUMBER	DOC TYPE	DOC PART	SHEET NUMBER
							5056050000	PSD	000	1 OF 2

MATING  
KEY TYPE & COLOR

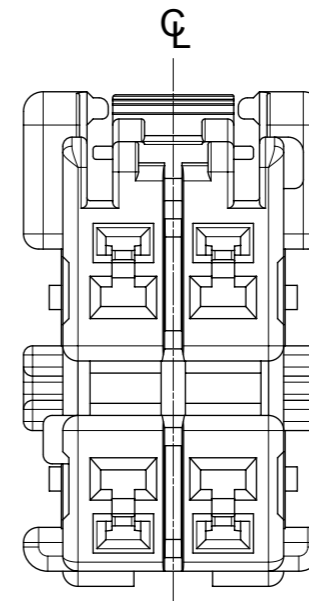
REFERENCE 4 CKTS



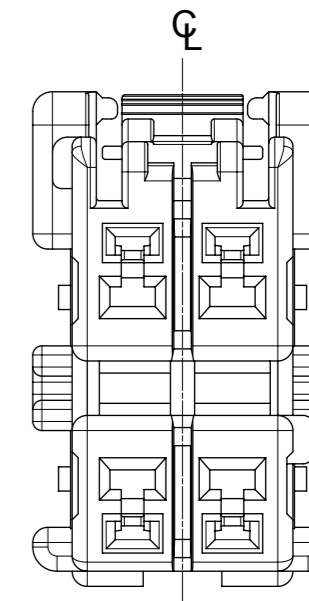
KEY TYPE : 1 COLOR : NATURAL  
MATERIAL NO. : 5056050400



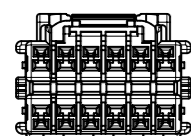
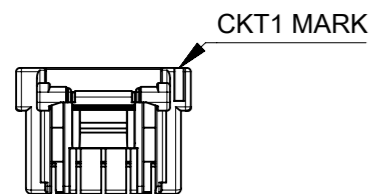
KEY TYPE : 2 COLOR : BLACK  
MATERIAL NO. : 5056050401



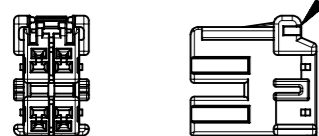
KEY TYPE : 3 COLOR : RED  
MATERIAL NO. : 5056050402



KEY TYPE : 4 COLOR : YELLOW  
MATERIAL NO. : 5056050403



VIEW OF CKT.10,12  
(SCALE 1:1)



VIEW OF CKT.4,6,8  
(SCALE 1:1)

505606120*	5046950607	12	5056051203	5056051202	5056051201	5056051200
505606100*	5046950507	10	5056051003	5056051002	5056051001	5056051000
505606080*	5046950407	8	5056050803	5056050802	5056050801	5056050800
505606060*	5046950307	6				
505606040*	5046950207	4				
MATE WITH	CONFORTABLE-RETAINER	極数 CKT.	YELLOW	RED	BLACK	NATURAL
BAG PACKAGE						
オーダー番号 ORDER NO.						

THIS DRAWING CONTAINS INFORMATION THAT IS PROPRIETARY TO MOLEX ELECTRONIC TECHNOLOGIES, LLC AND SHOULD NOT BE USED WITHOUT WRITTEN PERMISSION

EC NO: 116152 DRWN: NITO CHK'D: SAKIYAMA APPR: TKANEKO	2017/05/01	2017/05/01	2017/05/01	GENERAL TOLERANCES (UNLESS SPECIFIED)	DIMENSION UNITS	SCALE				
				ANGULAR TOL ± 3.0 °	MM	4:1				
				4 PLACES ± 0.2	DRWN BY	DATE		CP 3.3 W/W DUAL ROW REC. HOUSING		
				3 PLACES ± 0.2	KOMORI	2016/11/02				
			2 PLACES ± 0.2	CHK'D BY	DATE	PRODUCT CUSTOMER DRAWING				
			1 PLACE ± 0.2	SAKIYAMA	2017/02/08					
			0 PLACES ± 0.2	APPR BY	DATE	SERIES	MATERIAL NUMBER	CUSTOMER		
				TKANEKO	2017/02/08	505605	5056050000	GENERAL		
				DRAFT WHERE APPLICABLE MUST REMAIN WITHIN DIMENSIONS	DRAWING SIZE	THIRD ANGLE PROJECTION	DOCUMENT NUMBER	DOC TYPE	DOC PART	SHEET NUMBER
					A3		5056050000	PSD	000	2 OF 2