


注記

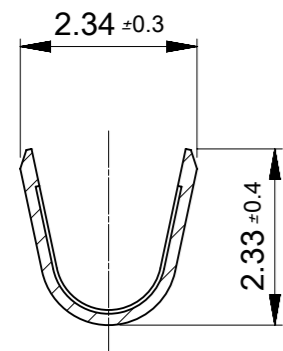
NOTES

- 適合ハウジング : 504694,505606 SERIES
APPLICABLE HOUSING:504694,505606 SERIES
- 材料 MATERIAL
銅合金(t=0.2)
COPPER ALLOY(t=0.2)
錫めっき 0.7μm以上 リフロー処理(前めっき)
TIN 0.7μm MIN. REFLOW TREATMENT (PRE-PLATED)
- △トレードマーク : MXプラス1文字の製造工場を示す
アルファベットにて表示。
但し"J"はJAPANを示す。
FORMED BY MX AND 1 MORE LETTER OF ALPHABET
WHICH MEAN THE MANUFACTORY.
BUT "J" MEANS JAPAN. (TO TRADE MARK) (ex MXJ)
ELV AND RoHS COMPLIANT
- 適用電線サイズ AWG#18 ~ 22
APPLICABLE WIRE AWG#18 ~ 22
- 被覆外径 : 1.55 ~ 2.6mm
INSULATION OUTSIDE DIAMETER : 1.55 ~ 2.6mm
- 製品仕様書及び取り扱いについては、製品仕様書
5056050000PS000、コネクタ取扱説明書 5056050000PSA00,A01
を参照願います。
PLEASE REFER TO PRODUCTS SPECIFICATION
5056050000PS000 AND USER'S MANUAL 5056050000PSA00,A01.
- 圧着仕様書については、圧着仕様書 5056070000PSC00を参照
願います。
PLEASE REFER TO CRIMPING SPECIFICATION
5056070000PSC00.
- ATS-57427-0000 圧着視覚教材を参照願います。
PLEASE REFER TO CRIMPING VISUAL ATS-57427-0000.

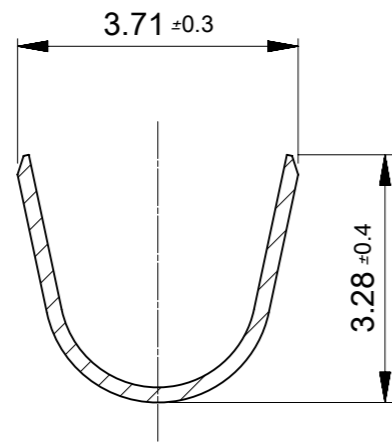
PLASTIC BAG	5056080100	バラ状 LOOSE
REEL	5056080000	連鎖状 CHAIN
PACKAGING SPEC.	オーダー番号 ORDER NO.	形態 FORM
CONNECTOR SERIES NO. 5056080*00		

THIS DRAWING CONTAINS INFORMATION THAT IS PROPRIETARY TO MOLEX ELECTRONIC TECHNOLOGIES, LLC AND SHOULD NOT BE USED WITHOUT WRITTEN PERMISSION

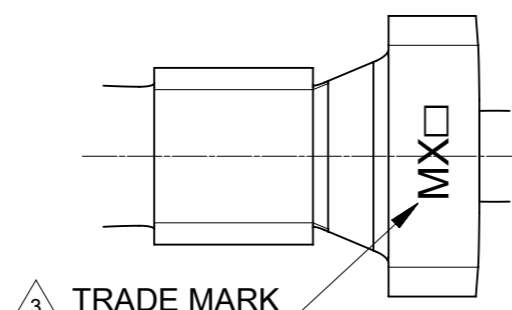
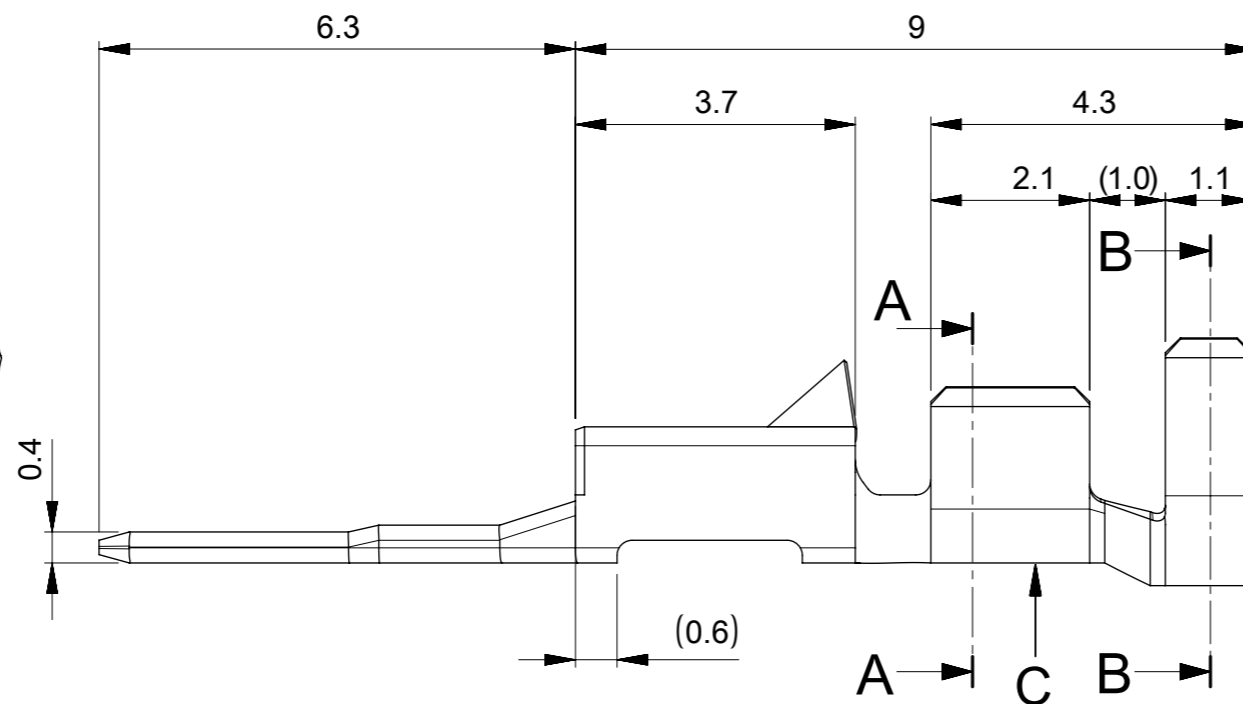
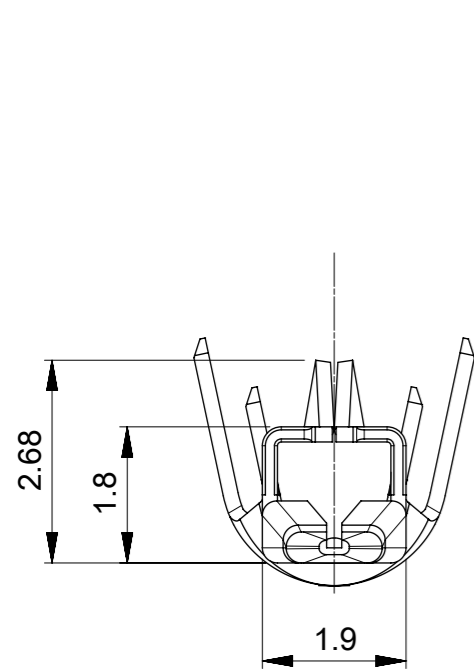
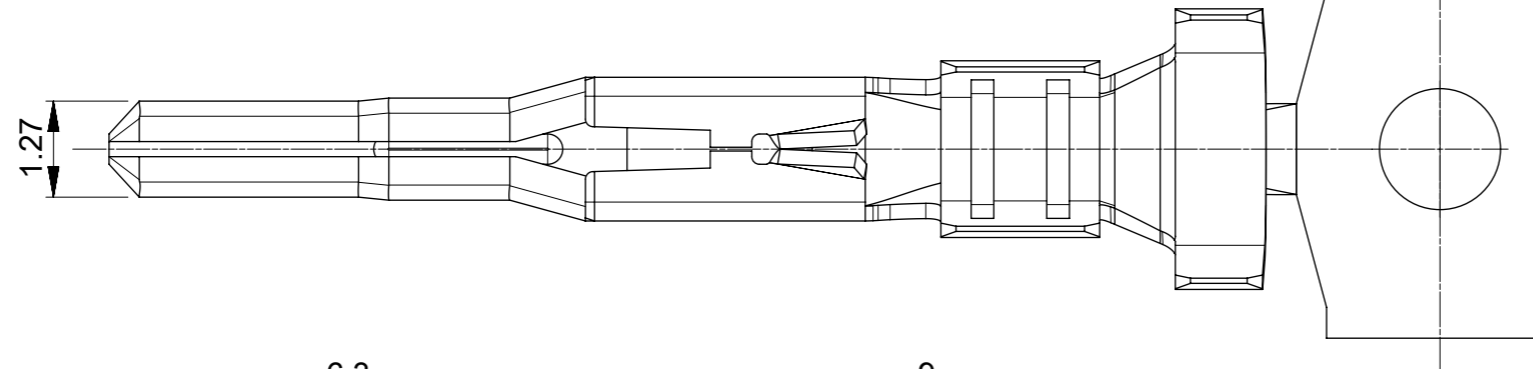
EC NO: 118591 DRWN: NITO CHK'D: SAKIYAMA APPR: TKANEKO	GENERAL TOLERANCES (UNLESS SPECIFIED) DIMENSION UNITS: MM SCALE: 10:1			
	ANGULAR TOL ± 3.0 °			
	4 PLACES ± 0.2	DRWN BY: NITO	DATE: 2017/05/16	
	3 PLACES ± 0.2	CHK'D BY: SAKIYAMA	DATE: 2017/06/26	
2 PLACES ± 0.2	APPR BY: TKANEKO	DATE: 2017/06/16		
1 PLACE ± 0.2	DRAWING SIZE: A3	THIRD ANGLE PROJECTION		
0 PLACES ± 0.2	DRAFT WHERE APPLICABLE MUST REMAIN WITHIN DIMENSIONS			
PRODUCT CUSTOMER DRAWING SERIES: 505608 MATERIAL NUMBER: SEE CHART CUSTOMER: GENERAL		DOCUMENT NUMBER: 5056080000 DOC TYPE: PSD DOC PART: 000 SHEET NUMBER: 1 OF 1		



SECTION A-A



SECTION B-B



△ TRADE MARK

VIEW C