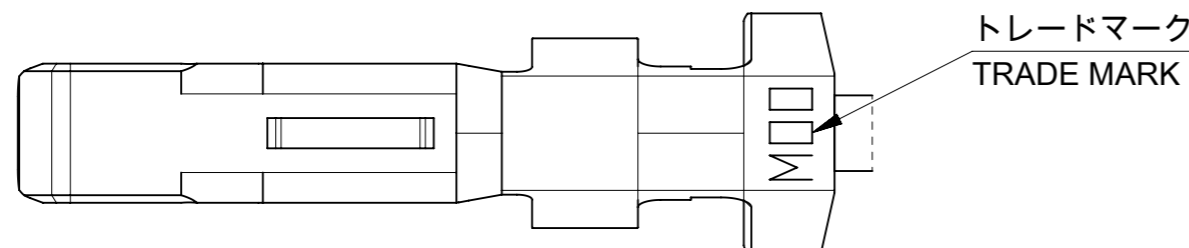
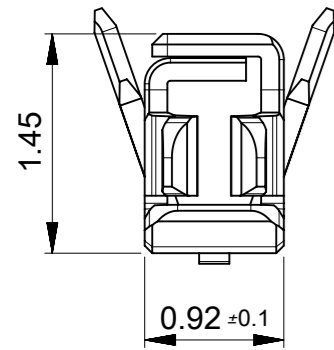
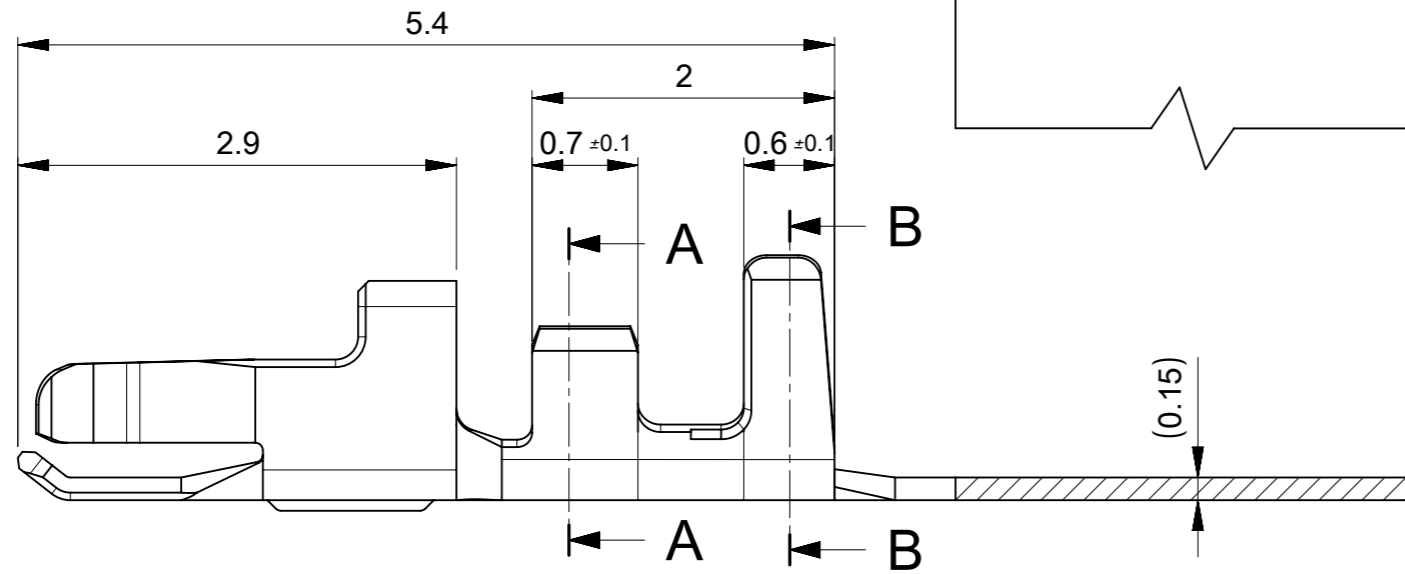


SECTION A-A

SECTION B-B



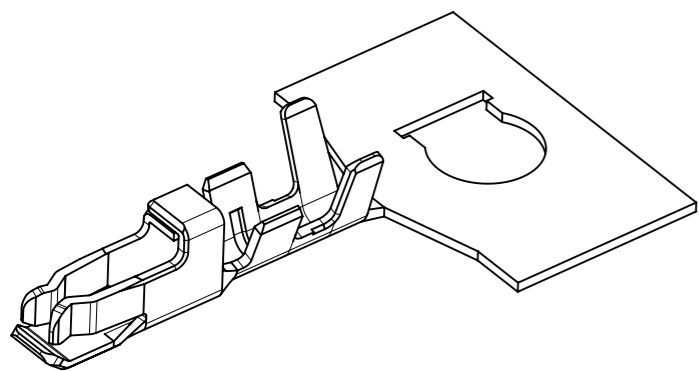
NOTES:

- 適合ハウジング : 505432\*\*\*\*(DUAL)/505565\*\*\*\*(SINGLE)  
204523\*\*\*\*(DUAL)/204532\*\*\*\*(SINGLE)  
APPLICABLE HOUSING : 505432\*\*\*\*(DUAL)/505565\*\*\*\*(SINGLE)  
204523\*\*\*\*(DUAL)/204532\*\*\*\*(SINGLE)
- アプリケーション仕様書 (コネクタ取扱説明書) : AS-505432-001/-002(DUAL)  
AS-505565-001/002(SINGLE)  
2045230000-AS PS 000/001(DUAL)  
2045320000-AS PS 000/001(SINGLE)  
APPLICATION SPECIFICATIONS (CONNECTOR MANUAL) : AS-505432-001/-002  
AS-505565-001/002  
2045230000-AS PS 000/001  
2045320000-AS PS 000/001
- 圧着条件については、圧着仕様書 (CS-505431-001) を参照願います。  
PLEASE REFER TO CRIMP SPECIFICATION (CS-505431-001).
- 製品仕様書 : 5054320000 PS 002(DUAL)/5055650000 PS 000(SINGLE)  
2045230000-PS PS 000(DUAL)/2045320000-PS PS 000(SINGLE)  
PRODUCT SPECIFICATION : 5054320000 PS 002(DUAL)/5055650000 PS 000(SINGLE)  
2045230000-PS PS 000(DUAL)/2045320000-PS PS 000(SINGLE)
- 圧着視覚教材 (品質要領書) : ATS-57427-0000  
CRIMPING VISUAL AID : ATS-57427-0000

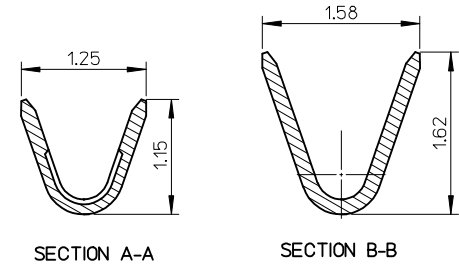
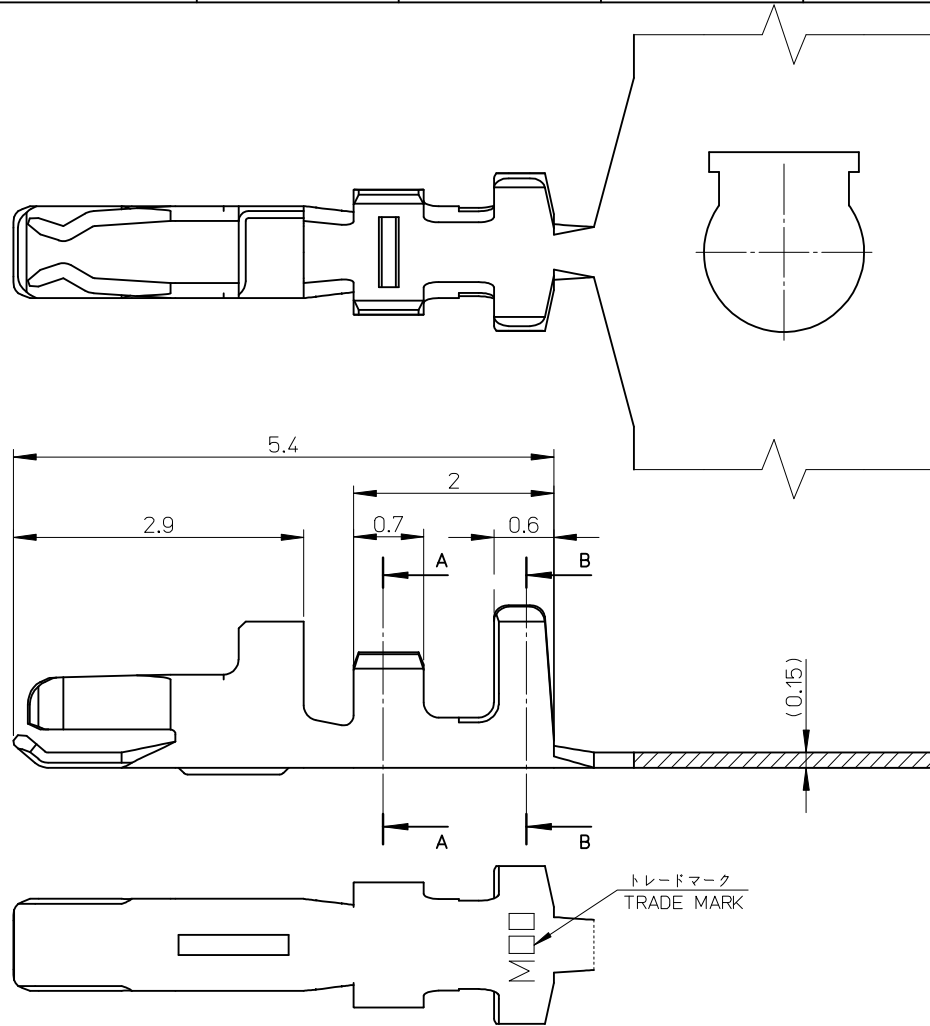
5054311000	連鎖状 CHAIN
リール REEL PACKAGE	端子形状 FORM
オーダー番号 ORDER NO.	

MATERIAL 材料 銅合金, 錫めっき COPPER ALLOY PRE-TIN PLATED (HEAT TREATED MATTE TIN)
WIRE RANGE 適用電線範囲 AWG #26 ~ #30 MM <sup>2</sup> : 0.049 ~ 0.136
INS. RANGE 被覆外径 φ0.78 ~ φ1.02

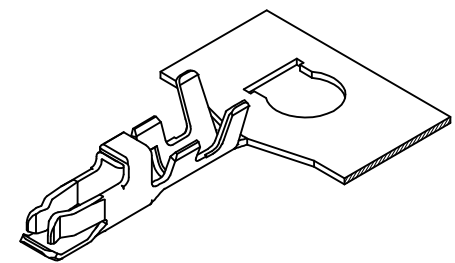
THIS DRAWING CONTAINS INFORMATION THAT IS PROPRIETARY TO MOLEX ELECTRONIC TECHNOLOGIES, LLC AND SHOULD NOT BE USED WITHOUT WRITTEN PERMISSION							
REDRAWN EC NO: 121145 DRWN: RWATANABE01 CHK'D: KOMURAKAMI APPR: TKANEKO	GENERAL TOLERANCES (UNLESS SPECIFIED)		DIMENSION UNITS	SCALE			
	ANGULAR TOL ± 1.0 °		mm	20:1			
	4 PLACES ± 0.2	3 PLACES ± 0.2	DRWN BY	DATE			
	2 PLACES ± 0.2	1 PLACE ± 0.2	RWATANABE01	2017/09/14			
0 PLACES ± 0.2	DRAFT WHERE APPLICABLE MUST REMAIN WITHIN DIMENSIONS	CHK'D BY	DATE				
		KOMURAKAMI	2017/09/26				
		APPR BY	DATE	PRODUCT CUSTOMER DRAWING			
		TKANEKO	2017/09/26	SERIES	MATERIAL NUMBER	CUSTOMER	
		DRAWING SIZE	THIRD ANGLE PROJECTION	505431	SEE CHART	GENERAL	
		A3		DOCUMENT NUMBER	DOC TYPE	DOC PART	SHEET NUMBER
				5054311000-SD	PSD	000	1 OF 1



ELV AND RoHS COMPLIANT



- NOTES
- 適合ハウジング : 505432\*\*\*\*(DUAL)/505565\*\*\*\*(SINGLE)  
APPLICABLE HOUSING : 505432\*\*\*\*(DUAL)/505565\*\*\*\*(SINGLE)
  - アプリケーション仕様書 (コネクタ取扱説明書) : AS-505432-001/-002(DUAL)  
5055650000(SINGLE)  
APPLICATION SPECIFICATIONS (CONNECTOR MANUAL) : AS-505432-001/-002  
5055650000(SINGLE)
  - 圧着条件については、圧着仕様書 (CS-505431-001) を参照願います。  
PLEASE REFER TO CRIMP SPECIFICATION (CS-505431-001).
  - 製品仕様書 : PS-505432-001(DUAL)/5055650000(SINGEL)  
PRODUCT SPECIFICATION : PS-505432-001(DUAL)/5055650000(SINGEL)
  - 圧着視覚教材 (品質要領書) : ATS-57427-0000  
CRIMPING VISUAL AID : ATS-57427-0000



**MATERIAL**  
材料  
銅合金, 錫めっき  
PRE-TINNED COPPER ALLOY

**WIRE RANGE**  
適用電線範囲  
AWG #26~#30  
MMφ:0.049~0.136

**INS. RANGE**  
被覆外径  
φ0.78~φ1.02

REVISED EC NO.: J2017-0221 DRWN:SSAT002 2016/06/03 CHKD:KOMURAKAMI 2016/10/06 APPR:TKANEKO 2016/10/06	GENERAL TOLERANCES (UNLESS SPECIFIED)			DIMENSION STYLE MM ONLY		SCALE 20:1	DESIGN UNITS METRIC	THIRD ANGLE PROJECTION
	0.25 UNDER		±0.03	DRAWN BY	DATE	TITLE		
	0.25 OVER	0.5 UNDER	±0.05	SSAT002	2015/10/20	MICRO LOCK PLUS 1.25 CRIMP TERM.		
	0.5 OVER	1.0 UNDER	±0.1	CHECKED BY	DATE	molex		
1.0 OVER	10 UNDER	±0.2	KASAKAWA	2015/10/20	SEE CHART			
10 OVER	30 UNDER	±0.25	APPROVED BY	DATE	SD-505431-001			
30 OVER		±0.3	NUKITA	2015/12/16	SHEET NO. 1 OF 1			
ANGULAR ±1 °			MATERIAL NO.		DOCUMENT NO.			
DRAFT WHERE APPLICABLE MUST REMAIN WITHIN DIMENSIONS			SIZE A3	THIS DRAWING CONTAINS INFORMATION THAT IS PROPRIETARY TO MOLEX ELECTRONIC TECHNOLOGIES, LLC AND SHOULD NOT BE USED WITHOUT WRITTEN PERMISSION				