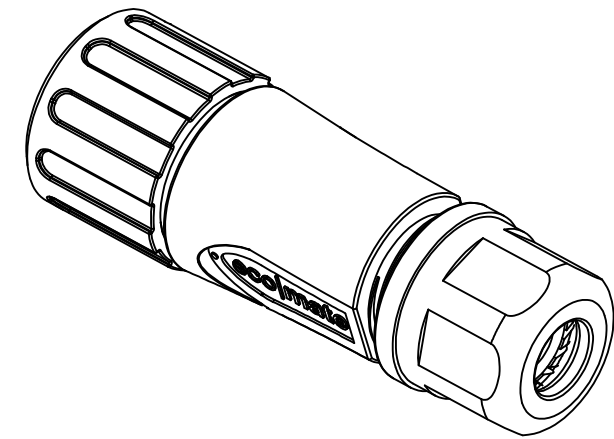
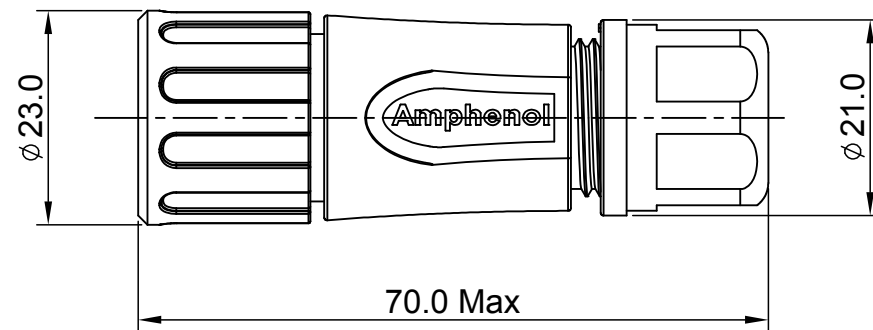
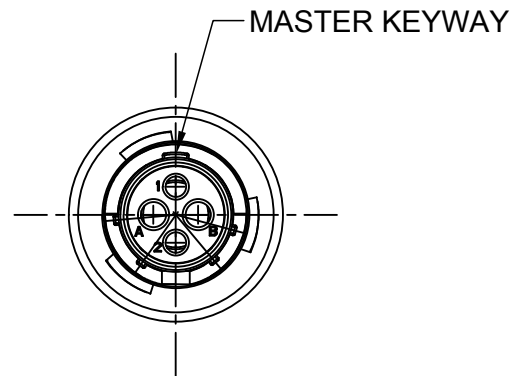
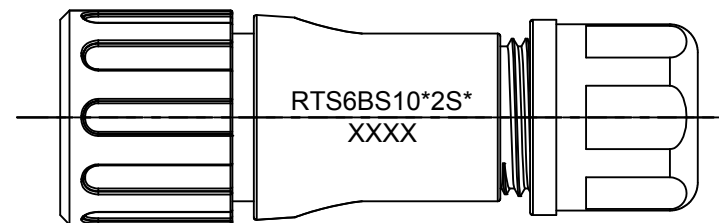


REVISIONS					
REV	ECO	DESCRIPTION	DATE	BY	APPR
A1	--	RELEASED DRAWING	Aug-3-2016	Ben	Tommy
A2	--	UPDATE NOTES	Jun-20-2017	Nick	Tommy



NOTES : (UNLESS OTHERWISE SPECIFIED)

- MATERIAL :
 - SHELL : THERMOPLASTIC , UL94 V-0.
 - INSERT : THERMOPLASTIC , UL94 V-0.
 - COUPLING NUT : THERMOPLASTIC , UL94 V-0.
 - O-RING : NBR/SILICONE RUBBER.
 - WASHER : SILICONE RUBBER.
 - BACK SHELL : THERMOPLASTIC , UL94 V-0.
 - CLAMP NUT : THERMOPLASTIC , UL94 V-0.
 - CLAMP RING : THERMOPLASTIC , UL94 V-0.
 - CABLE SEAL : EPDM.
- SPECIFICATIONS :
 - RATED CURRENT :
 - 16# CONTACT 13A (MAX) .
 - 20# CONTACT 5A (MAX).
 - RATED VOLTAGE : 500V(AC/DC).
 - OPERATING TEMPERATURE : SEE TABLE .
 - DIELECTRIC WITHSTANDING VOLTAGE : LESS THAN 2 MILLIAMPS CURRENT LEAKAGE@2000 VOLTS AC.
 - INSULATION RESISTANCE : 5000 MEGOHMS MIN.
 - IP--CLASS : IP67 AND IP69K.
 - MATING CYCLES DURABILITY : 500 CYCLES MIN.
 - RoHS COMPLIANT.
- SUITABLE CONTACTS : 16# & 20# CONTACTS.
- ALL DIMENSIONS ARE FOR REFERENCE USE ONLY.



DIMENSION ϕA	CABLE OD RANGE
7.0MM	4.0-6.5MM
8.8MM	5.0-8.8MM

KEY	PART NUMBER	
	-40°C ~ +105°C	-40°C ~ +125°C
N	RTS6BS10N2S	RTS6BS10N2S03

QUANTITY	PART NUMBER	DESCRIPTION	ITEM														
MATERIALS LIST																	
UNLESS OTHERWISE SPECIFIED 1) All dimensions are in metric(mm). 2) Tolerances are as follows: 1 PL DEC ±0.30 Fractions ±1/64 2 PL DEC ±0.15 Angles ±1° 3 PL DEC ±0.08		<table border="1"> <thead> <tr> <th>SIGNATURES</th> <th>DATE</th> </tr> </thead> <tbody> <tr> <td>DRAWN: Nick</td> <td>Jun-20-2017</td> </tr> <tr> <td>CHECKED: Tod</td> <td>Jun-20-2017</td> </tr> <tr> <td>ENGINEER:</td> <td></td> </tr> <tr> <td>APPROVAL: Tommy</td> <td>Jun-20-2017</td> </tr> <tr> <td>CUSTOMER:</td> <td></td> </tr> </tbody> </table>		SIGNATURES	DATE	DRAWN: Nick	Jun-20-2017	CHECKED: Tod	Jun-20-2017	ENGINEER:		APPROVAL: Tommy	Jun-20-2017	CUSTOMER:			
SIGNATURES	DATE																
DRAWN: Nick	Jun-20-2017																
CHECKED: Tod	Jun-20-2017																
ENGINEER:																	
APPROVAL: Tommy	Jun-20-2017																
CUSTOMER:																	
MATERIAL SPECIFICATIONS:																	
PROCESS SPECIFICATIONS:		Sine Systems - www.amphenol-sine.com 44724 Morley Drive Clinton Township, MI 48036															
NEXT ASSY:		ECO-MATE,PLUG,BACK SHELL, SIZE 10,2POS,SOCKET.															
THIS DRAWING IS SUPPLIED FOR INFORMATION ONLY. DESIGN FEATURES, SPECIFICATIONS AND PERFORMANCE DATA SHOWN HEREON ARE THE PROPERTY OF THE AMPHENOL CORPORATION. NO RIGHTS OF REPRODUCTION ARE IMPLIED. ALL DIMENSIONS ARE SUBJECT TO NORMAL MANUFACTURING VARIATIONS.		<table border="1"> <tr> <td>SIZE</td> <td>TYPE</td> <td>DWG NO:</td> <td>REVISION</td> </tr> <tr> <td>B</td> <td>C-</td> <td>RTS6BS10*2S*</td> <td>A2</td> </tr> </table>	SIZE	TYPE	DWG NO:	REVISION	B	C-	RTS6BS10*2S*	A2	<table border="1"> <tr> <td>SCALE</td> <td>SHEET</td> <td>OF</td> </tr> <tr> <td>NONE</td> <td>1</td> <td>1</td> </tr> </table>	SCALE	SHEET	OF	NONE	1	1
SIZE	TYPE	DWG NO:	REVISION														
B	C-	RTS6BS10*2S*	A2														
SCALE	SHEET	OF															
NONE	1	1															

TITLE: ECO-MATE,PLUG,BACK SHELL,SIZE 10,2POS,SOCKET. DWG NO: RTS6BS10*2S* REV: A2 SH: 1 OF: 1