

PANEL CUTOUT
MAX. PANEL THICKNESS 10mm

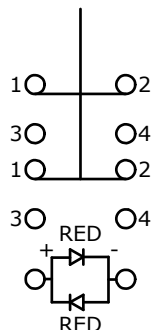
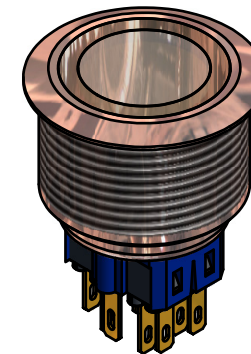
SWITCH FUNCTION	
POS. 1	POS. 2
1-2	3-4

▲ ACTUATOR FINISH:
STAINLESS STEEL

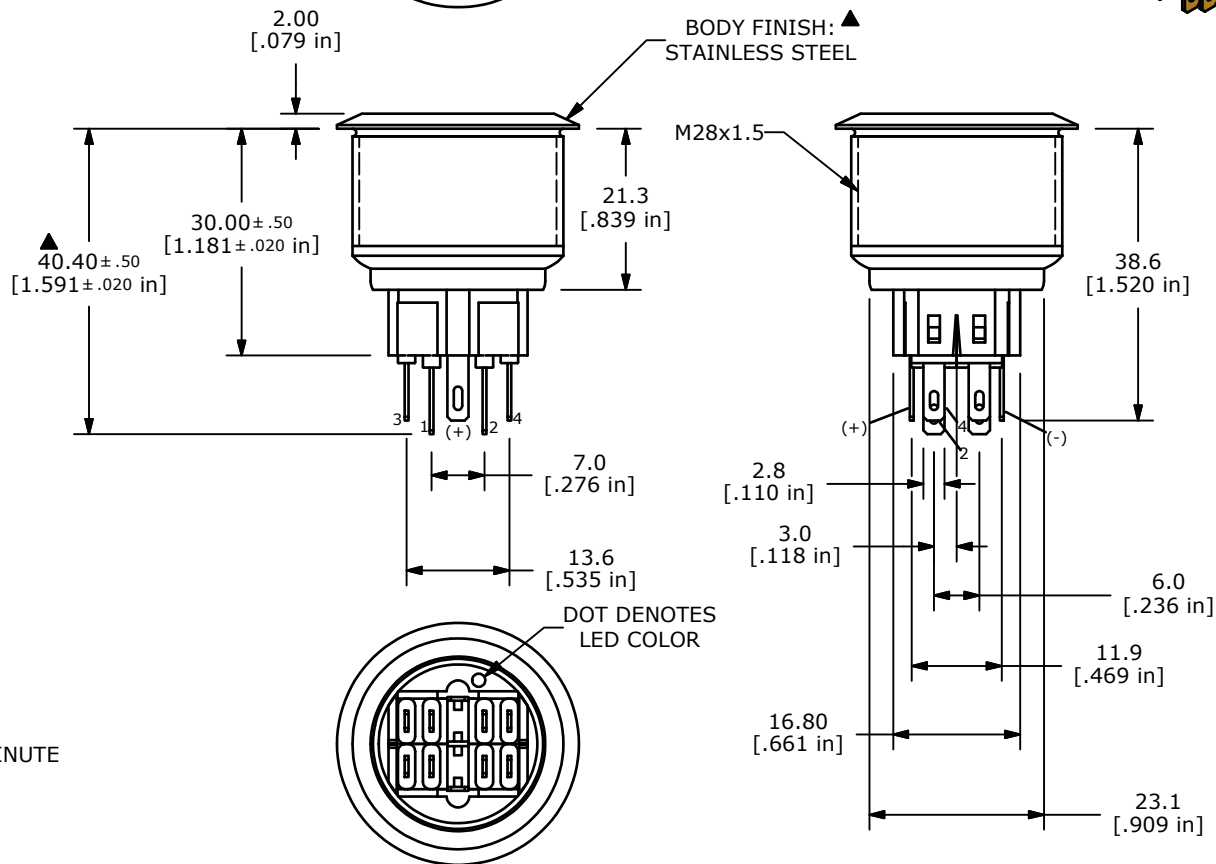
Ø32.00
[1.260 in]

Ø17.50
[.689 in]

▲ RING ILLUMINATION
RED



DPDT ON-(ON) ▲
CONTACT CONFIGURATION
() DENOTES MOMENTARY



▲ BODY FINISH:
STAINLESS STEEL

DOT DENOTES
LED COLOR

- NOTE:
1. ALL DIMENSIONS IN MM [INCH]
 2. GENERAL TOLERANCE: X.X = ± 0.4
X.XX = ± 0.25
 3. TERMINAL NOS. FOR REF. ONLY
 - ▲ 4. FUNCTION: DPDT
 - ▲ 5. RATING: 2A @ 48VDC
 6. ILLUMINATION VOLTAGE: BASE VOLTAGE 1.8 V
 7. CONTACT RESISTANCE: 50mΩ MAX. @ 1A 12VDC
 8. INSULATION RESISTANCE: 1,000MΩ @ 500VDC
 9. DIELECTRIC STRENGTH: 2,000VAC MIN. FOR 1 MINUTE
 10. ELECTRICAL LIFE: 50,000 CYCLES
 11. OPERATING TEMPERATURE: -20°C TO 55°C
 12. INGRESS PROTECTION: IP65
 13. SUPPLIED HARDWARE: O-RING AND HEXNUT
 13. ▲ DENOTES CRITICAL PARAMETER
 13. 2002/95/EC (ROHS) COMPLIANT
 - ▲ 14. ILLUMINATION COLOR: RED (FORWARD), RED (REVERSE)



TITLE PV9F2V0SS-311

A	21519	New Release	7/16/14	rc
REV	PCR NO	DESCRIPTION	DATE	BY

SCALE	DATE	DR	DWG	REV
1:1	7/16/2014	rc	52-PV9F2V0SS311	A

THE INFORMATION CONTAINED IN THIS DOCUMENT IS PROPRIETARY
TO E-SWITCH AND IS NOT TO BE COPIED OR TRANSFERRED