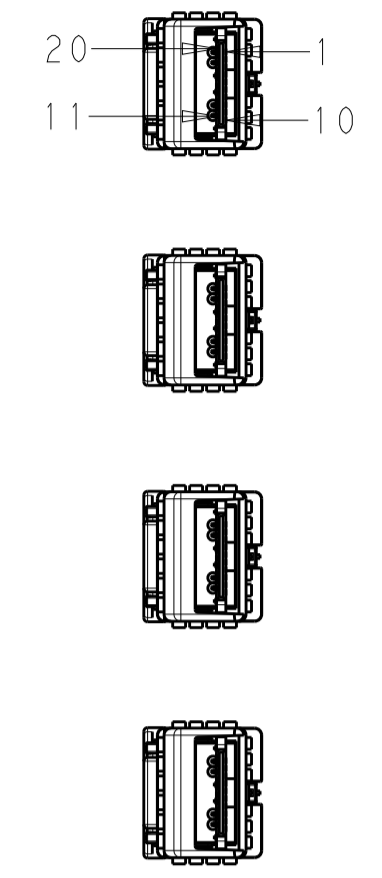
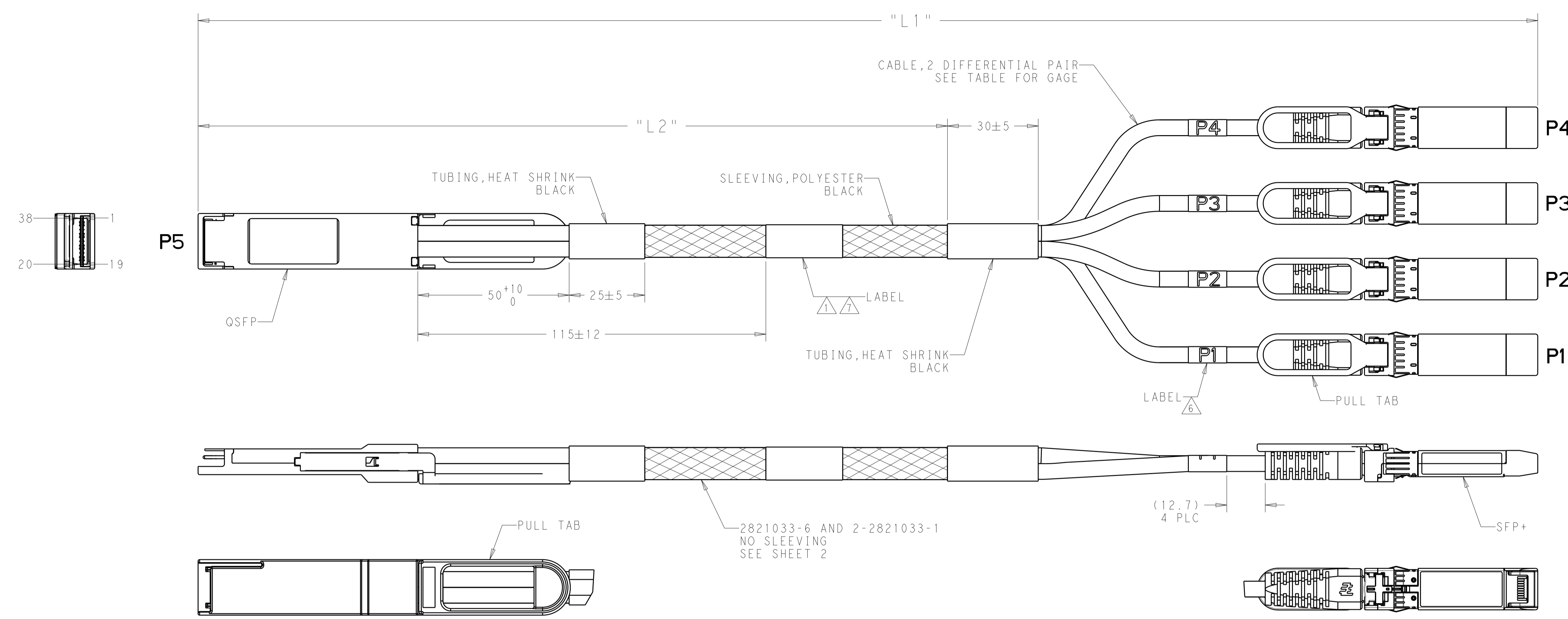
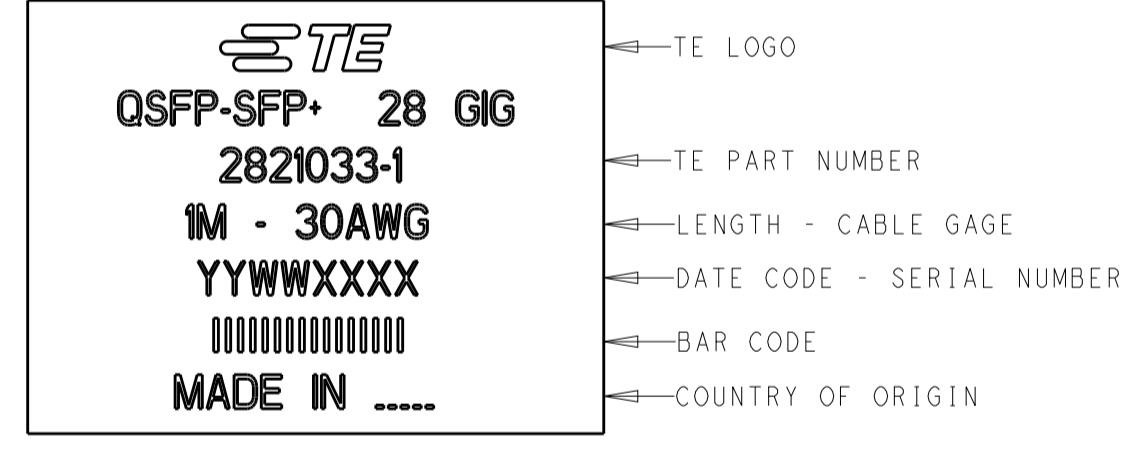


REVISIONS				
P.	LTN.	DESCRIPTION	DATE	OWN. APVD.
J		REDRAWN PER ECO-17-003216	02MAR2017	TS EC



△ LABEL INFORMATION: -1 SHOWN.



- SEE SHEET 2 FOR WIRING SCHEMATIC.
- PRODUCT AND PROCESSING MEETS THE REQUIREMENTS OF TE SPECIFICATION TEC-138-702.
- CABLE ASSEMBLY TO BE TESTED FOR OPENS, SHORTS AND PROPER EEPROM PROGRAM.

△ DUE TO SHORT CABLE LENGTH, THE PART NUMBERS INDICATED MAY NOT MEET IEEE802.3bj. RETURN LOSS AND MINIMUM INSERTION LOSS LIMITS.

△ LABEL INFORMATION: P1 SHOWN



△ SEE SHEET 2 FOR 2821033-6 AND 2-2821033-1 LABEL PLACEMENT.

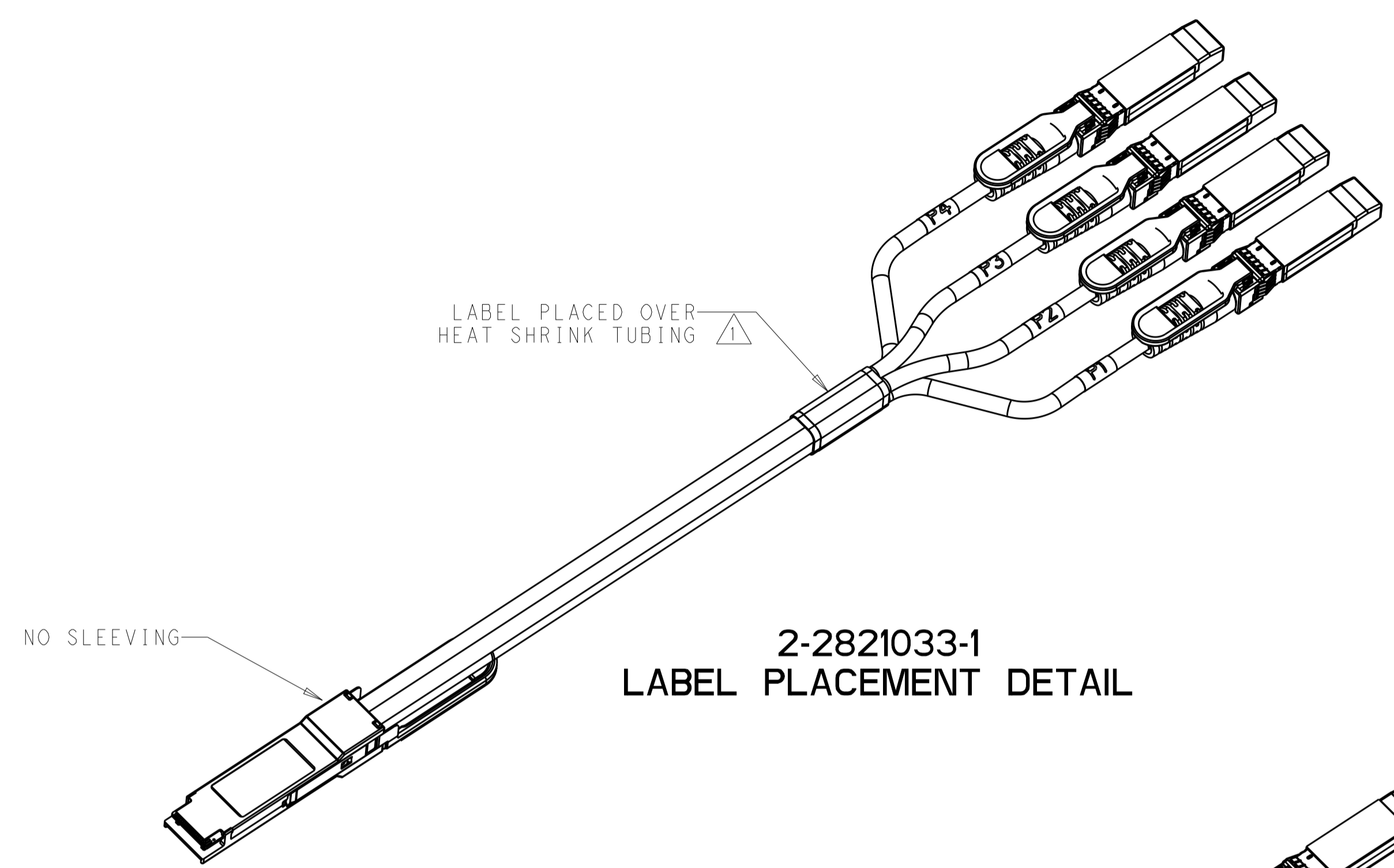
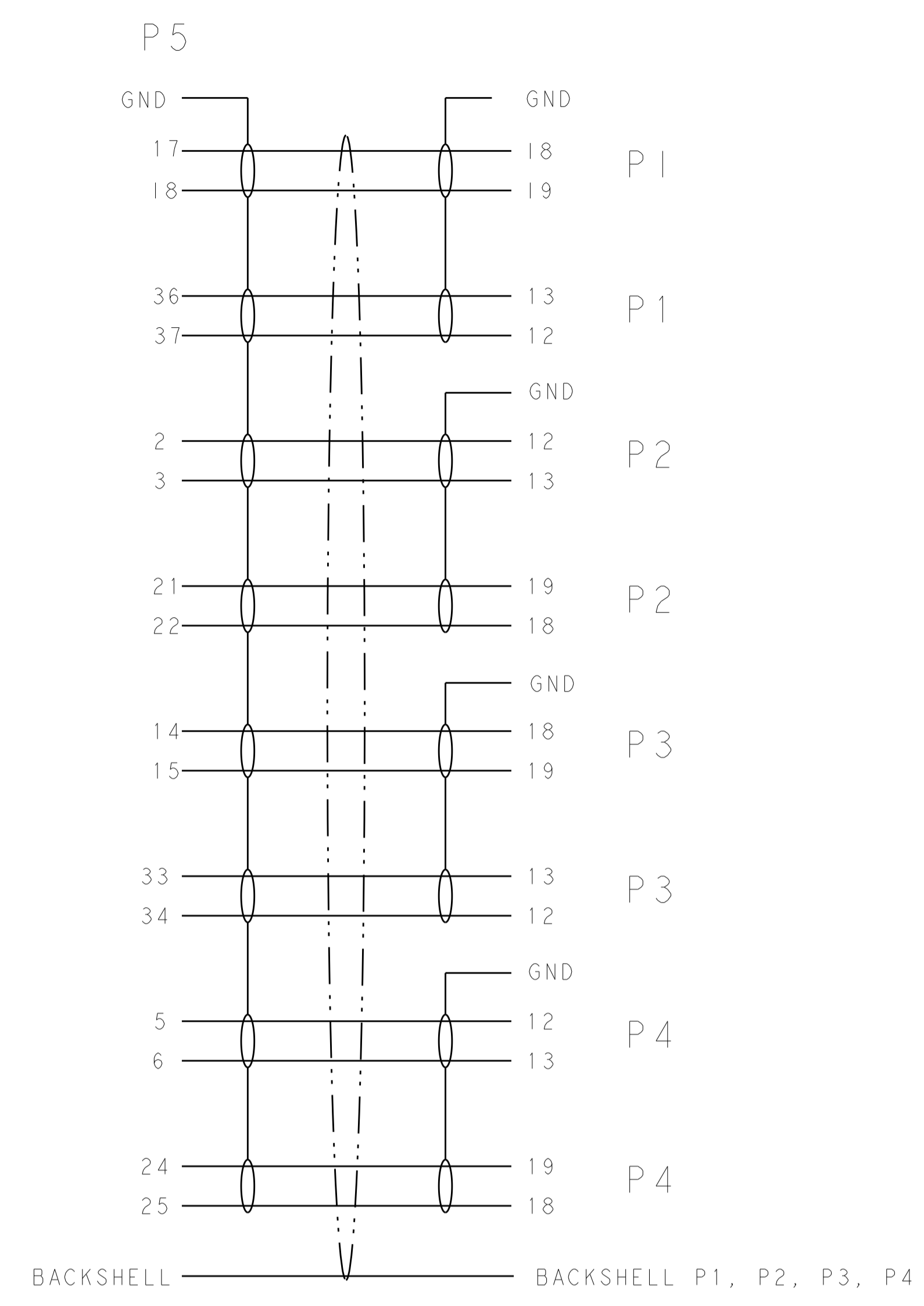
	30	120 ±12	△ 500 +50/-0	2-2821033-1
	30	1500 ±25	3500 +80/-0	2-2821033-0
	28	1500 ±25	3500 +80/-0	1-2821033-9
	30	1000 ±25	2500 +80/-0	1-2821033-8
OBSOLETE	24	2000 ±25	5000 +80/-0	1-2821033-6
	26	1000 ±25	3000 +80/-0	1-2821033-2
OBSOLETE	24	2000 ±25	6000 +80/-0	1-2821033-1
	30	700 ±25	2000 +80/-0	1-2821033-0
	30	500 ±25	1500 +50/-0	2821033-9
	33	330 ±25	1000 +50/-0	2821033-8
	33	500 ±25	1500 +50/-0	2821033-7
	33	-	500 +50/-0	2821033-6
	26	1500 ±25	4000 +80/-0	2821033-5
	28	1000 ±25	3000 +80/-0	2821033-4
	26	2000 ±25	5000 +80/-0	2821033-3
	30	1000 ±25	3000 +80/-0	2821033-2
	30	330 ±25	1000 +50/-0	2821033-1
	GAGE	"L2"	"L1"	PART NO

THIS DRAWING IS A CONTROLLED DOCUMENT.

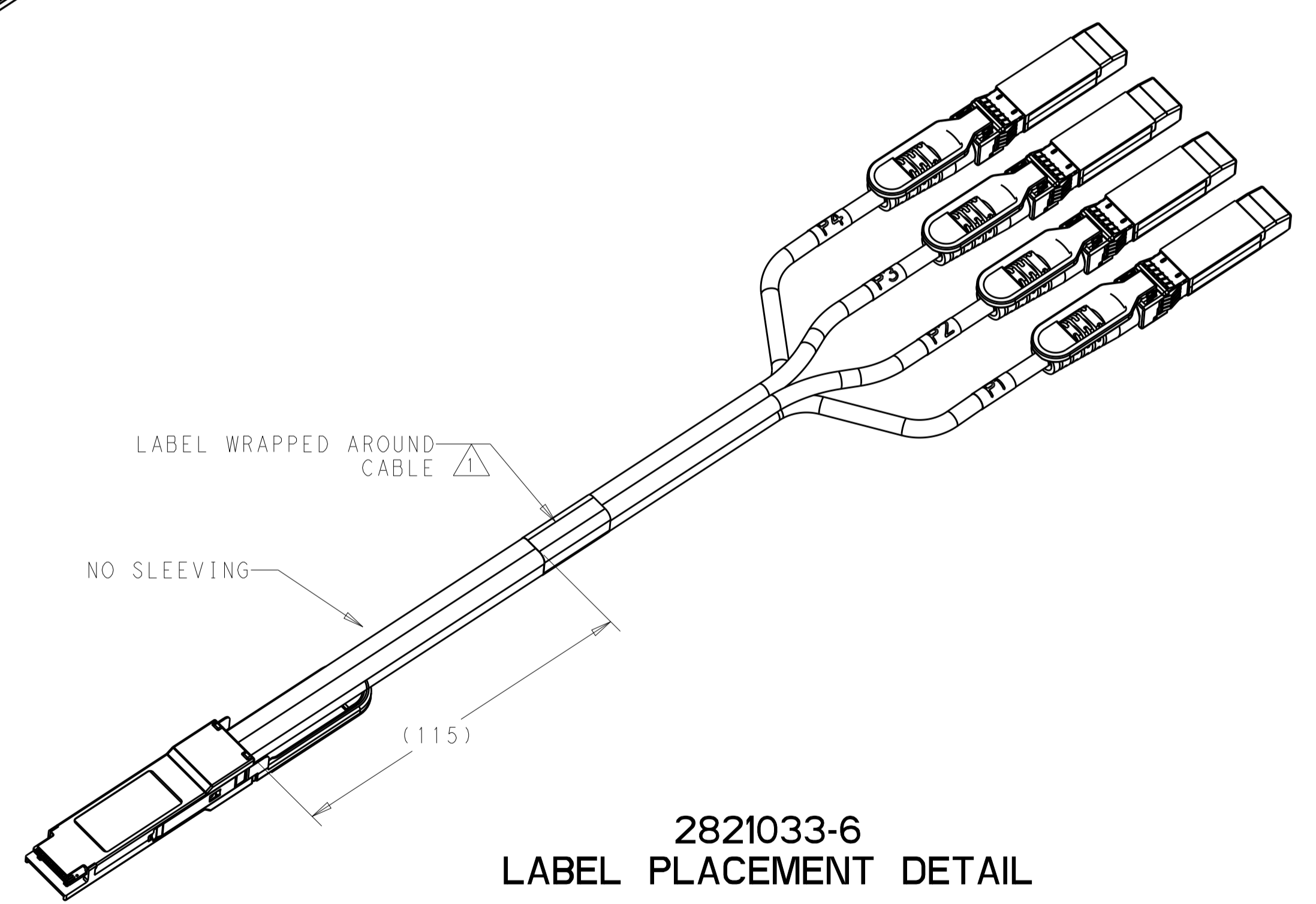
DIMENSIONS:	TOLERANCES UNLESS OTHERWISE SPECIFIED:	OWN. T. SMITH 02MAR2017	CHK. E. CUESTA 02MAR2017	APVD. E. CUESTA 02MAR2017
mm	0 PLC ±	NAME: CABLE ASSEMBLY, QSFP28 TO (4) SFP+		
	1 PLC ±	SIZE: A1		
	2 PLC ±	CAGE CODE: -		
	3 PLC ±	DRAWING NO: C=2821033		
	4 PLC ±	SHEET 1 OF 2		
	ANGLES ±	REV J		
MATERIAL:	FINISH:	CUSTOMER DRAWING		

SCALE: 5:4

REVISIONS				
P.	LTN	DESCRIPTION	DATE	APPD
		SEE SHEET 1		



**2-2821033-1  
 LABEL PLACEMENT DETAIL**



**2821033-6  
 LABEL PLACEMENT DETAIL**

THIS DRAWING IS A CONTROLLED DOCUMENT.		DWN T. SMITH 02MAR2017 CHK E. CUESTA 02MAR2017 APVD E. CUESTA 02MAR2017	<b>STE</b> TE Connectivity	
DIMENSIONS: mm 		TOLERANCES UNLESS OTHERWISE SPECIFIED: 0 PLC ± 1 PLC ± 2 PLC ± 3 PLC ± 4 PLC ± ANGLES ± FINISH ±	NAME CABLE ASSEMBLY, QSFP28 TO (4) SFP+ PRODUCT SPEC APPLICATION SPEC SIZE CAGE CODE DRAWING NO A1 - C=2821033	RESTRICTED TO SCALE 3:2 SHEET 2 OF 2 REV J
MATERIAL		WEIGHT	CUSTOMER DRAWING	