

F

E

D

C

B

A

F

E

D

C

B

A

1

2

3

4

5

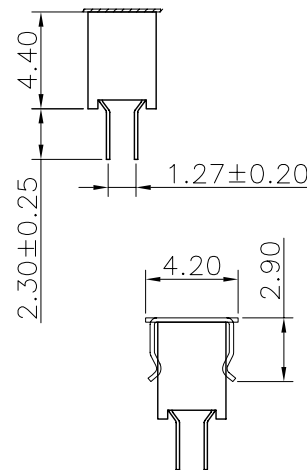
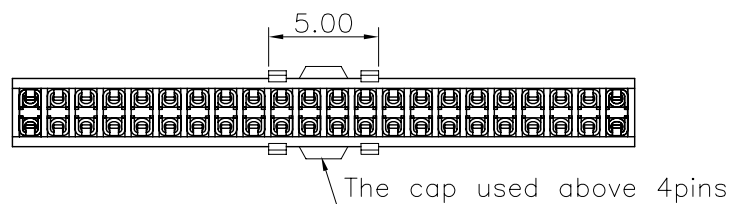
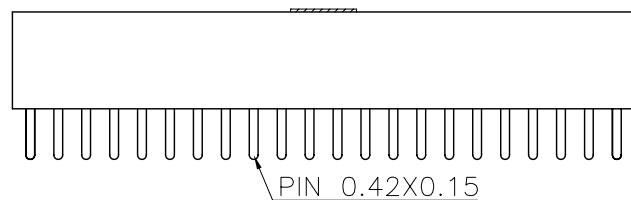
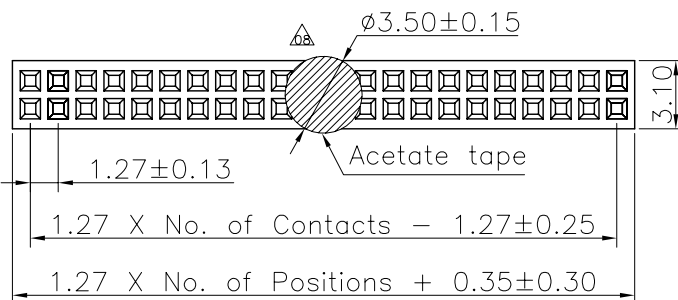
6

7

8

9

REV.	LOCAS.	DESCRIPTION	DATE	DRAWN
05	△	新增CAP配方	27.5.2008	許承佑
06	△	變更新料號	2009.03.12	王群祥
07	△	變更圖號與注解	2011.07.19	黃明霞
08	△	為防止方形膠紙鬆脫, 變更為圓形膠紙	2012.08.29	黃小燕



### Specifications

Current Rating: 1Amp

Insulation Resistance: 1000MΩMin.

Dielectric Withstanding Voltage: 300VAC

Contact Resistance: 20mΩMax.

Operating Temperature: -40°C to +105°C

Materials

△ Contact Material: Phosphor Bronze

Insulator Material: High Temperature

Thermoplastic, UL 94V-0 LCP or the

equivalent material △

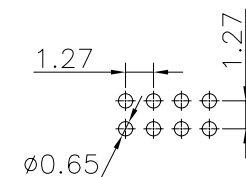
All materials must meet Greenconn

requirement for environment protection.

### △ Ordering Information

C	SEA202	-	XX		XX	A	001	C	1	A	X
No. of Pins per Row		Standard Plating		Standard Plating		Color		Standard Packing		Standard Packing	
02~50		02=Gold Flash		01=Tin		1=Black		C=Tube		A=box	
		05=Gold Flash/Tin						E=Cap+Tube		F=Cap+Tape&Reel	

Recommended P.C.Board  
Layout  
(Tolerance:  $\pm 0.05$ )



格稜股份有限公司  
**Greenconn Corporation**

GENERAL TOLERANCE	
X.* $\pm 5.0^\circ$	X. $\pm 0.30$
.X* $\pm 3.0^\circ$	.X $\pm 0.25$
.XX* $\pm 2.0^\circ$	.XX $\pm 0.15$
.XXX* $\pm 1.0^\circ$	.XXX $\pm 0.10$

DESIGN: 黃小燕	DATE: 2012.08.29
CHECKED: 劉北平	DATE: 2012.08.29
AUDITED: 李輝	DATE: 2012.08.29
APPROVED: cc_li	DATE: 2012.08.29

DWG. NO.	△ △
CSEA202-CA1CA	
PART NO.	△
CSEA202-XXXX A001C1AX	

TITLE.	1.27 FEMALE HEADER DUAL ROWS DIP TYPE CONNECTOR
--------	---

REV.	UNIT.	SCALE.	PAGE.
08	mm	3:1	1/1

1

2

3

4

5

6

7

8

9