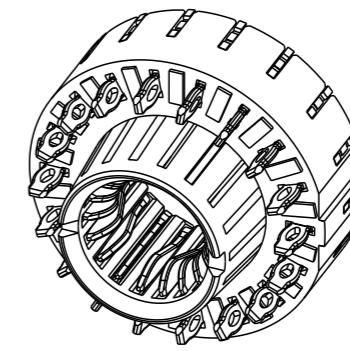
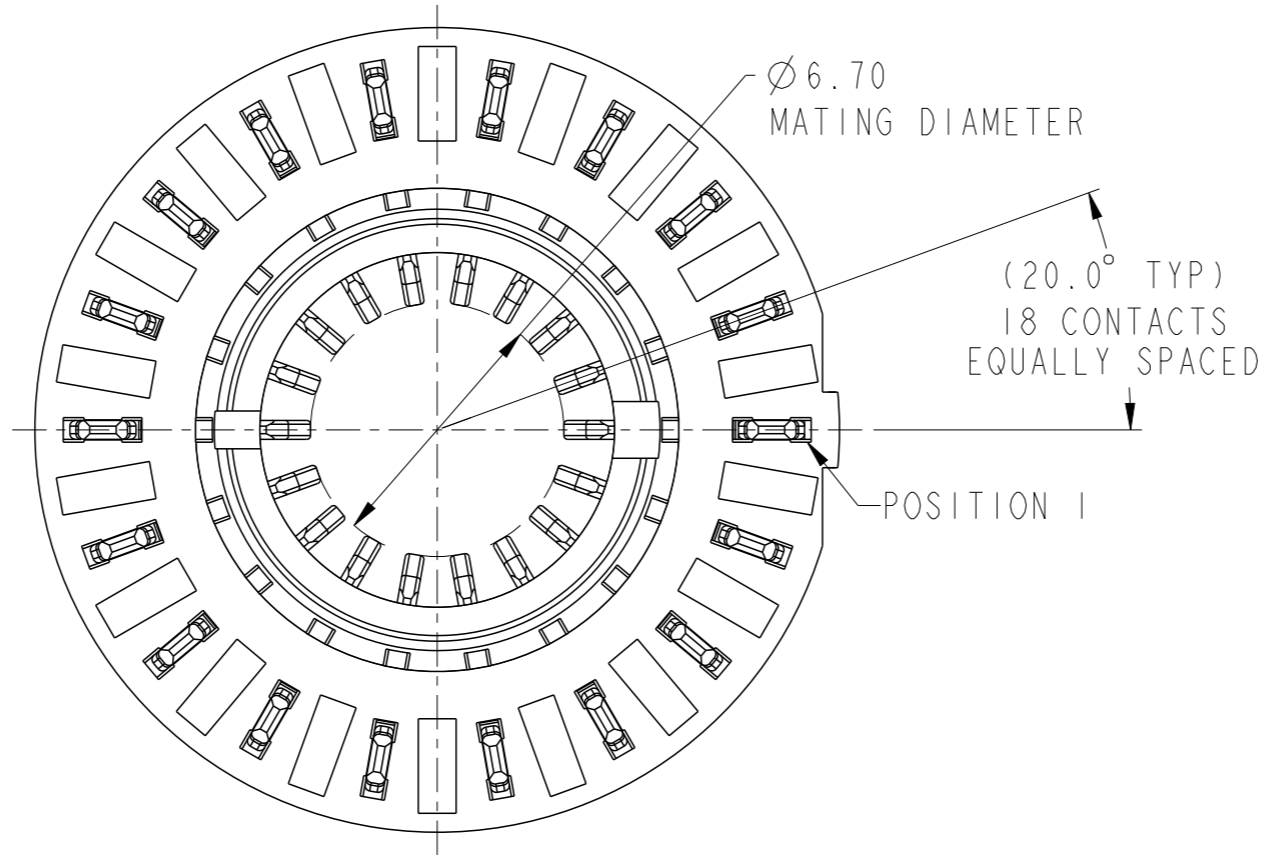
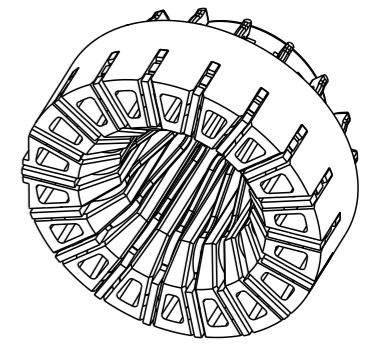


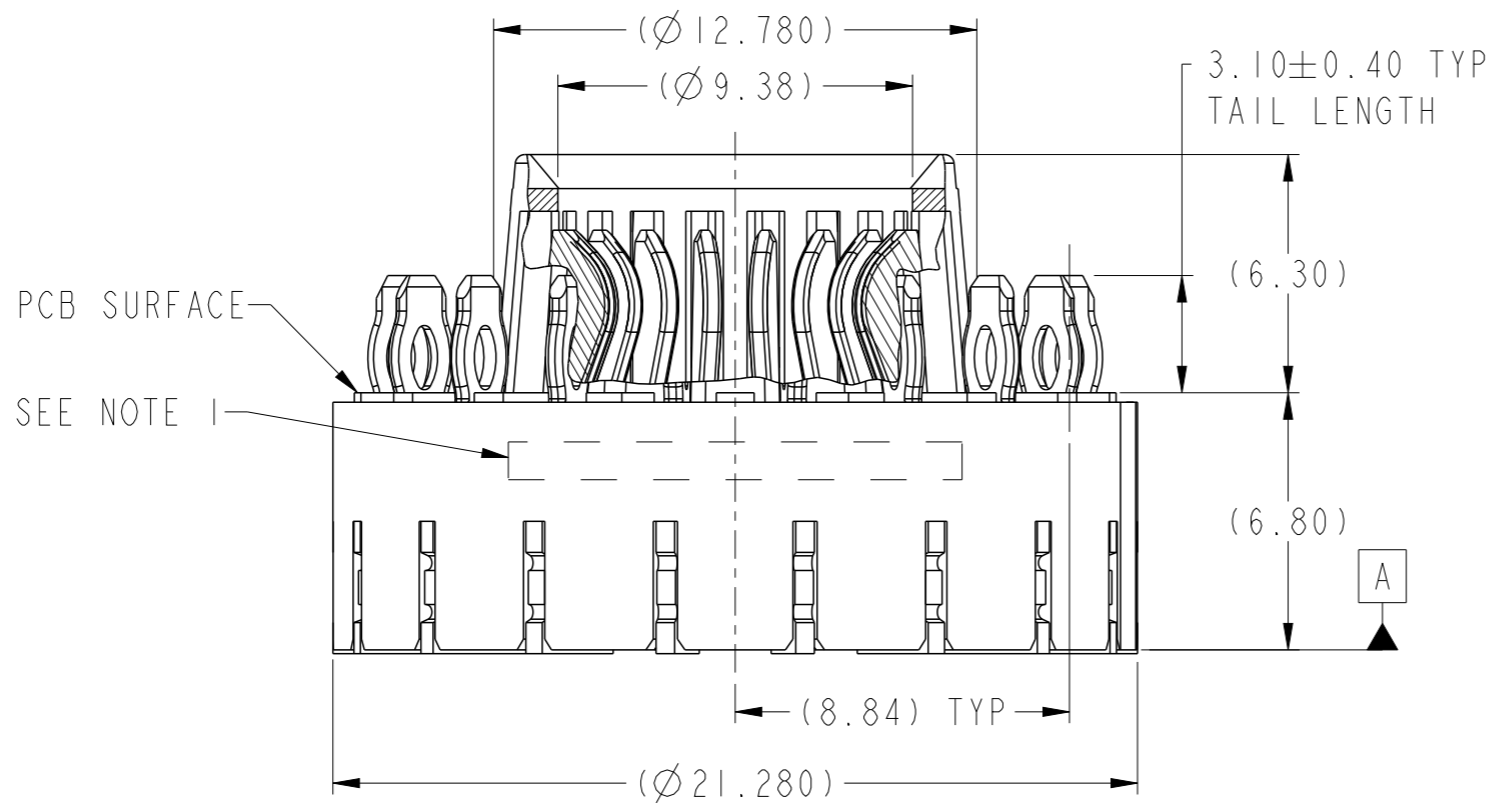
Product number
10132381-20800LF



SCALE 2:1



SCALE 2:1



spec ref	-	dr	T Brungard	2016/02/27	projection	mm	size	A3	scale	5:1
tolerance std	ISO 406 ISO 1101	eng	Andy Lu	2017/03/21			ecn no	rel level	Preliminary	rev
TOLERANCES UNLESS OTHERWISE SPECIFIED		chr	-	-						
surface	linear	0.X	±0.5	Amphenol FCI www.fci.com	ASSEMBLY FOR Ø8.00mm PIN		dwg no 10132381-20800LF	cat. no. - Product - Customer Drw		sheet 1 of 2
		0.XX	±0.25		VERT RECEPTACLE, SheerPwr Circular					
	angular	0°	±2°		rel level Preliminary					

1

2

3

4

A

B

C

D

A

B

C

D

Ø21.78 MIN
CONNECTOR
KEEP-OUT ZONE
SEE NOTE 4

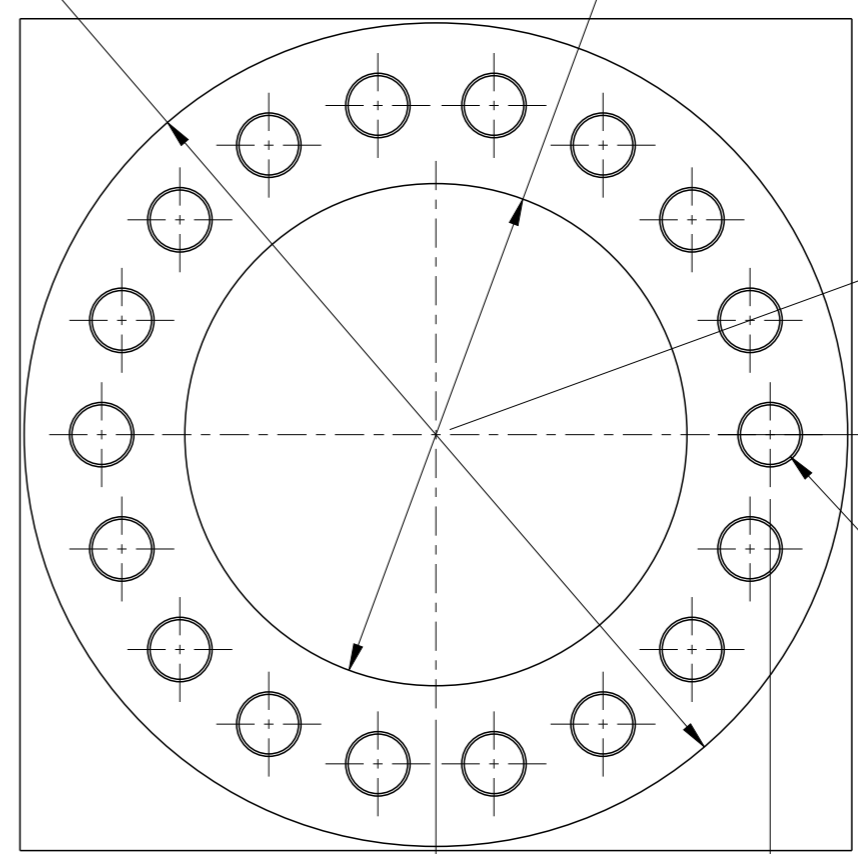
Ø13.28±0.10

20.0° 18X

Ø1.575±0.075
SEE NOTES 6 & 7

⊕ Ø0.10


11.00 MIN.



11.00 MIN. TYP 8.84

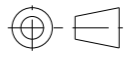
RECOMMENDED PCB
LAY-OUT

NOTES:

- 1. LOGO, PART NUMBER AND DATE CODE TO BE MARKED ON THIS SURFACE. THE P/N OR LOGO CAN BE OMITTED IF THERE IS NOT ENOUGH SPACE.
- 2. MATERIALS:
HOUSING - GLASS FILLED WITH HIGH TEMP POLYAMIDE, UL94V-0.
POWER CONTACTS - HIGH CONDUCTIVITY COPPER ALLOY.
- 3. PLATING SPECIFICATION - REFER TO SECTION 5.3 IN GS-12-1316.
- 4. DENOTES CONNECTOR KEEP OUT ZONE.
- 5. DATUMS AND BASIC DIMENSIONS ARE ESTABLISHED BY CUSTOMER.
- 6. ALL HOLE DIAMETERS ARE FINISHED HOLE SIZES.
- 7. 1.705±0.025mm DRILLED HOLE PLATED WITH 7.62µm MIN Sn OVER 25.4µm-76.2µm Cu PLATING TO ACHIEVE A 1.575±0.075mm FINISHED HOLE.
- 8. PRODUCT SPECIFICATION - REFER TO GS-12-1316.
APPLICATION SPECIFICATION - REFER TO GS-20-0467.
PRODUCT PACKAGE IN TRAYS - REFER TO GS-14-2526.
- 9. CONNECTOR DESIGNED TO MATE WITH A Ø8.00±0.03mm MATING PIN. CONNECTOR CAN HANDLE A ±0.64mm PERMANENT MISALIGNMENT OF THE MATING PIN.
- 10. A  SYMBOL WILL BE NEXT TO ANY DIMENSION, VIEW, OR NOTE WHICH HAS BEEN MODIFIED WITH THE CURRENT DRAWING REVISION.

Amphenol
FCi

© 2016 AFCI

spec ref -		dr T Brungard	2016/02/27	projection	mm	size A3	scale 5:1
tolerance std ISO 406 ISO 1101		TOLERANCES UNLESS OTHERWISE SPECIFIED			← →	ecn no -	
surface -		eng Andy Lu	2017/03/21			product family SheerPwr	
ISO 1302	linear	0.X	±0.5	ASSEMBLY FOR Ø8.00mm PIN VERT RECEPTACLE, SheerPwr Circular		dwg no 10132381-20800LF	rev 1
		0.XX	±0.25				
		0.XXX	±0.130				
	angular	0°	±2°	www.fci.com cat. no. -		Product - Customer Drw sheet 2 of 2	

3

4