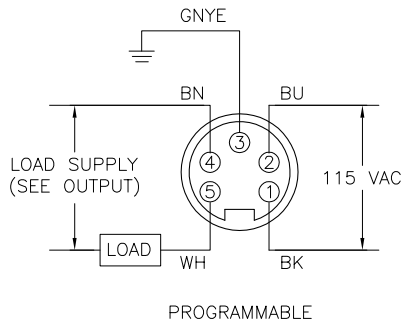
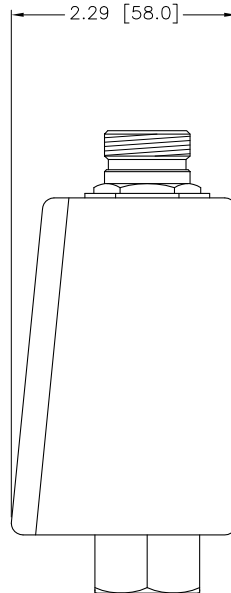
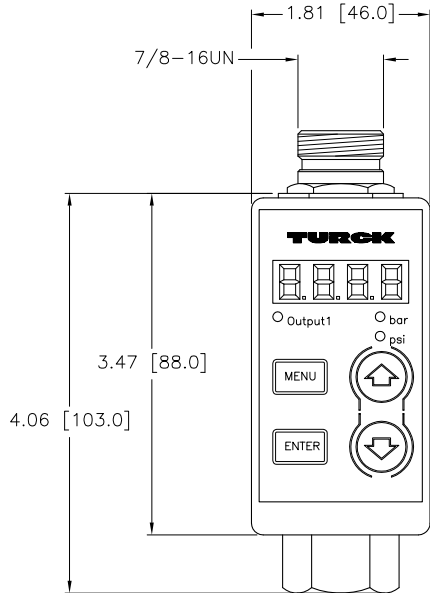


WIRING DIAGRAM



SPECIFICATIONS

DISCRETE OUTPUT	RELAY, PROGRAMMABLE N.O. OR N.C.
RIPPLE	≤ 10%
SWITCHING CURRENT	≤ 2.5 A (INDUCTIVE LOAD)
CURRENT CONSUMPTION	≤ 32 mA
SWITCHING FREQUENCY	50 Hz
SWITCHING DELAY	SWITCH-ON AND SWITCH-OFF DELAY ADJUSTABLE FROM 0-50 SECONDS IN STEPS OF 1 SECOND
OUTPUT RESPONSE TIME	ADJUSTABLE FROM 5-500 MS IN STEPS OF 10 MS
POWER-ON EFFECT	PER IEC 947-5-2
REVERSE POLARITY PROTECTION	YES
TRANSIENT PROTECTION	EN 60947-5-2
AMBIENT TEMPERATURE	-25°C TO 75° (-13°F TO 167°F)
MEDIUM TEMPERATURE	-15°C TO 80° (5°F TO 176°F)
ENCLOSURE	MEETS NEMA 4, 6, 12, 13 AND IP 67
SHOCK	50 g PER IEC 68-2-27
VIBRATION	5 g (25-200 Hz) AND 35 g (60-2000 Hz) PER IEC 68-2-6
SETPOINT	≤2% OF RATED OVERALL RANGE
REPEATABILITY	≤0.5% OF RATED OVERALL RANGE
MEASURING VALUE/PROGRAMMING	4-DIGIT 7 SEGMENT DISPLAY (bar/psi)
STATUS DISPLAY	LEDs INDICATE OUTPUT STATUS AND SELECTED MEASURING UNITS (bar/psi)



SOURCE DRAWING - FOR REFERENCE ONLY

RELATED DOCUMENTS 1. 2. 3. 4.	3RD ANGLE PROJECTION	THIS DRAWING IS PROPERTY OF TURCK INC. USE OF THIS DOCUMENT WITHOUT WRITTEN PERMISSION IS PROHIBITED.	3000 CAMPUS DRIVE MINNEAPOLIS, MN 55441 1-800-544-7769 (763) 553-7300 (763) 553-0708 fax turck.com	
			TURCK INC High Technology Sensors and Automation Controls	DESCRIPTION PC010-G11/4A1M-ARX-B1151
MATERIAL	DRFT RDS	DATE 11/12/01	IDENTIFICATION NO. M6831068	
FINISH	ALL DIMENSIONS DISPLAYED ON THIS DRAWING ARE FOR REFERENCE ONLY	DSGN	SCALE 1=2.0	REV A
	CONTACT TURCK FOR MORE INFORMATION	UNIT OF MEASUREMENT INCH [MILLIMETER]		FILE: m6831068
A	DRAWING RELEASE	RDS	12/13/01	T5077
REV	DESCRIPTION	BY	DATE	ECO NO.
			DO NOT SCALE THIS DRAWING	SHEET 1 OF 1