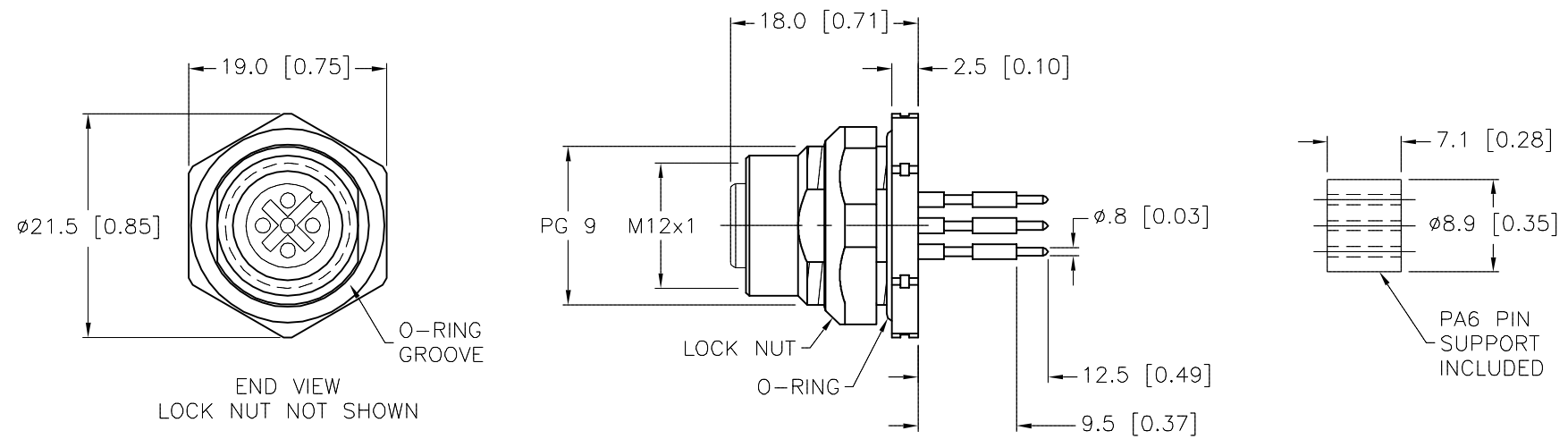


<p>FEMALE END VIEW</p>	<p>BOARD LAYOUT</p>	<p>TYPICAL PANEL CUTOUT</p>	<p>SPECIFICATIONS</p>	
			<p>CONTACT CARRIER MATERIAL</p>	<p>NYLON OR TPU</p>
<p>CONTACT MATERIAL/PLATING</p>	<p>BRASS/GOLD</p>			
<p>RATED CURRENT [A]</p>	<p>4.0 A</p>			
<p>RATED VOLTAGE [V]</p>	<p>250 V</p>			
<p>HOUSING/LOCKNUT MATERIAL</p>	<p>BRASS/NICKEL</p>			
<p>O-RING MATERIAL</p>	<p>NITRILE (BUNA-N)</p>			
<p>NUMBER OF CONDUCTORS [AWG]</p>	<p>5 PRINTED CIRCUIT PINS</p>			
<p>TEMPERATURE RATING</p>	<p>-30°C to +80°C (-22°F to +176°F)</p>			
<p>PROTECTION CLASS</p>	<p>MEETS NEMA 1,3,4,6P AND IEC IP68</p>			
<p>MAX. PANEL THICKNESS</p>	<p>3.0 [0.12]</p>			



SOURCE DRAWING - FOR REFERENCE ONLY

<p>RELATED DOCUMENTS</p> <ol style="list-style-type: none"> 1. 2. 3. 4. 		<p>3RD ANGLE PROJECTION</p>	<p>THIS DRAWING IS CONFIDENTIAL AND THE PROPERTY OF TURCK INC. USE OF THIS DOCUMENT WITHOUT WRITTEN PERMISSION IS PROHIBITED.</p>	<p>3000 CAMPUS DRIVE MINNEAPOLIS, MN 55441 1-800-544-7769 (763) 553-7300 (763) 553-0708 fax turck.com</p>
<p>MATERIAL</p> <p>SEE SPECIFICATIONS</p>	<p>DRFT SWC</p> <p>DATE 09/05/95</p>	<p>APVD</p> <p>SCALE 1=.7</p>	<p>DESCRIPTION</p> <p>FKFD 4.5</p>	
<p>FINISH</p> <p>SEE SPECIFICATIONS</p>	<p>UNIT OF MEASUREMENT</p> <p>MILLIMETER [INCH]</p>	<p>IDENTIFICATION NO.</p> <p>U4500</p>	<p>REV</p> <p> </p>	
<p>DO NOT SCALE THIS DRAWING</p>	<p>CONTACT TURCK FOR MORE INFORMATION</p>	<p>FILE: U4500</p>	<p>SHEET 1 OF 1</p>	

<p>1</p> <p>ADD O-RING MATERIAL</p>	<p>NF</p> <p>07/21/15</p> <p>50682</p>	<p>ECO NO.</p>
<p>REV</p> <p>DESCRIPTION</p>	<p>BY</p> <p>DATE</p>	<p>ECO NO.</p>