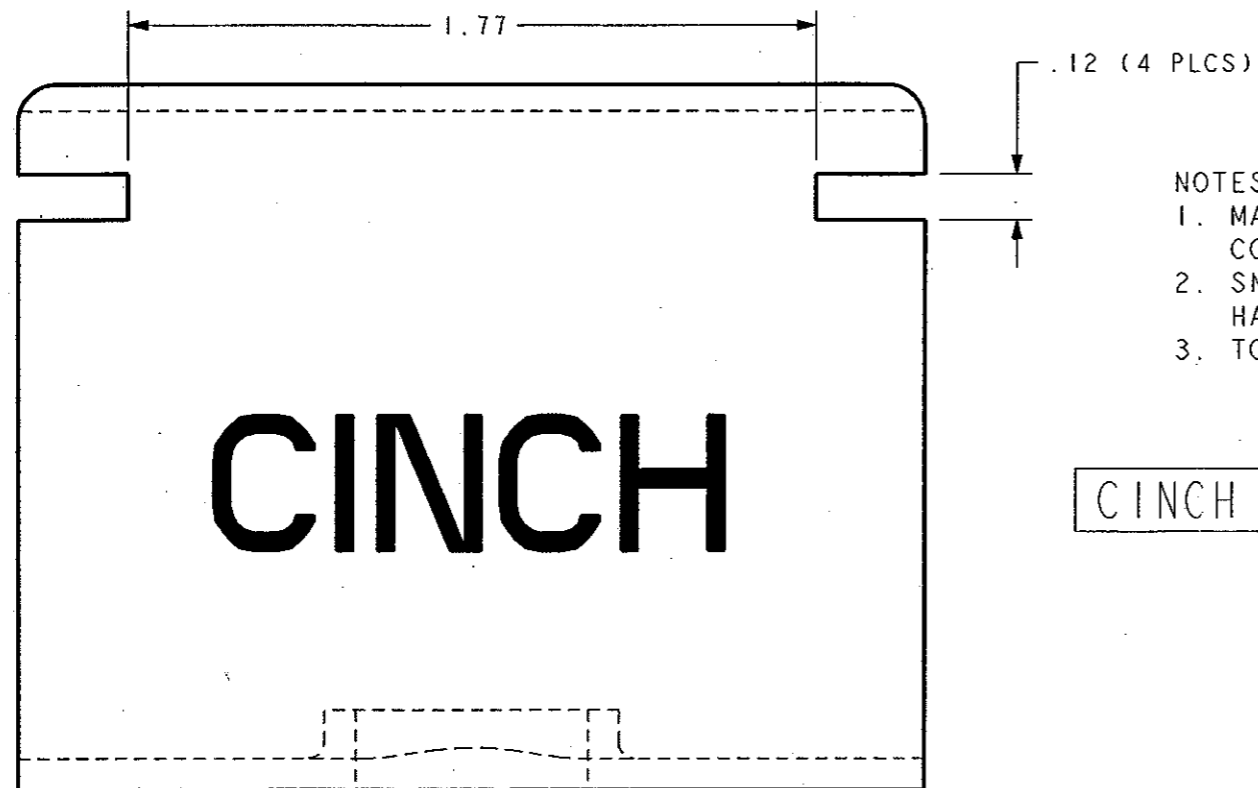
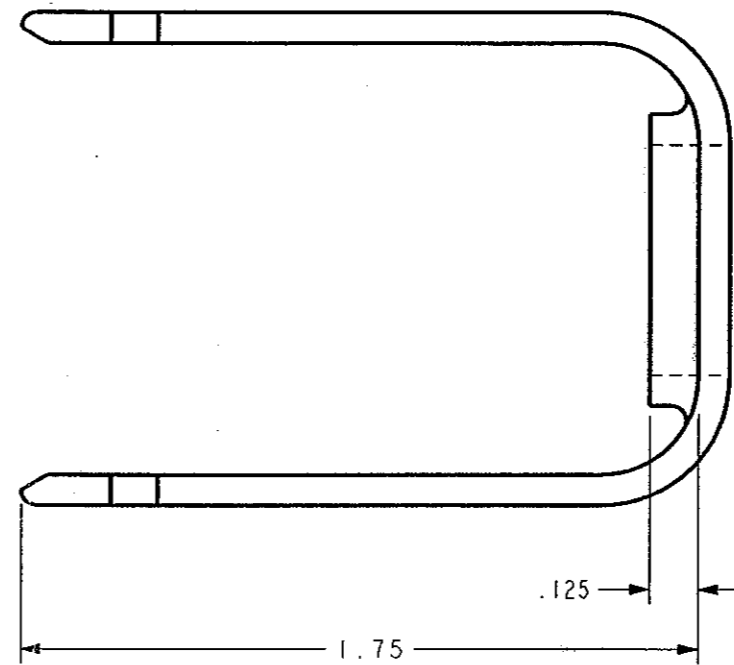
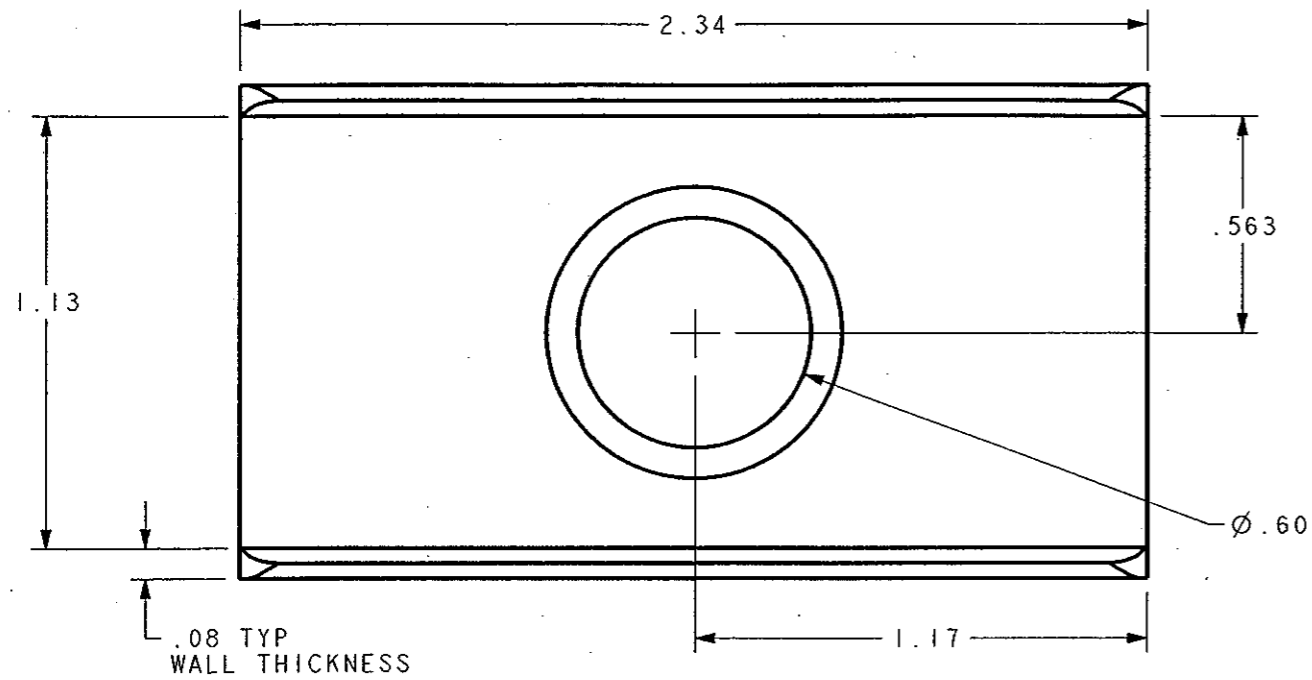


DRAWING REVISIONS			
REV	DOCUMENT	APP	DATE
A	DRAWING RELEASED	A.C.C.	11-07-05



- NOTES: (UNLESS OTHERWISE SPECIFIED)
1. MATERIAL: 30% GLASS FILLED POLYESTER, COLOR IS BLACK.
 2. SNAP-ON MATE WITH 30 WAY PUSH TO SEAT HARNESS CONNECTOR.
 3. TOLERANCES: .XXX ±.010
.XX ±.025

CINCH PART NUMBER 581 00 00 100

UNITS	ENGLISH	PRO/E	Cinch		1700 FINLEY RD LOMBARD, IL. 60148
DO NOT SCALE DRAWING	DRAWN BY G. Tomczak	DATE 10-31-05	TITLE SPLASH GUARD, 30 SIZE		
	DESIGN ENGINEER L. Pacini	12-21-95	MATERIAL SEE NOTE 1		CONTROL SPEC NUMBER
	DESIGN ENGINEERING MGR. A. Caines	11-07-05	MATERIAL SPEC NUMBER	FINISH	PROJECT NUMBER
THIS DOCUMENT IS THE PROPERTY OF CINCH. NEITHER THIS DOCUMENT NOR ANY OF THE INFORMATION CONTAINED IN IT MAY BE DUPLICATED OR DISCLOSED WITHOUT PRIOR WRITTEN CONSENT OF CINCH.	MFG. ENGINEERING J. Baltz	12-21-95	CAD FILE NUMBER 5810000100S	DRAWING NUMBER 581 00 00 100S	
	QUALITY ASSURANCE R. Shacks	12-21-95	CAGE IDENT NO. SIZE 71785 B	SCALE 2:1	SHEET 1 OF 1