

**MICRO SWITCH**

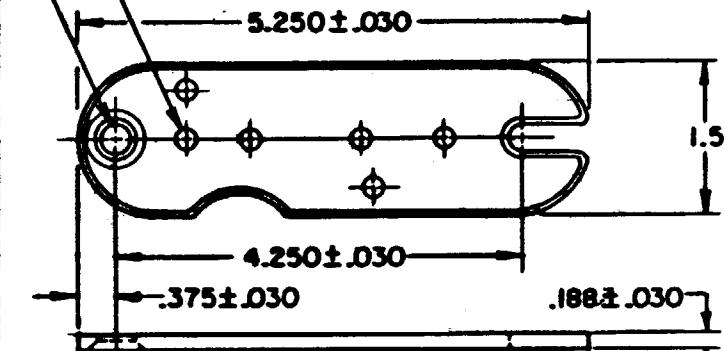
**SWITCH-ENCLOSED**

CATALOG LISTING  
**OP-AR30**

THIS DRAWING COVERS A PROPRIETARY ITEM AND IS THE PROPERTY OF MICRO SWITCH, A DIVISION OF HONEYWELL. THIS DRAWING IS NOT TO BE COPIED OR USED WITHOUT THE APPROVAL OF MICRO SWITCH.

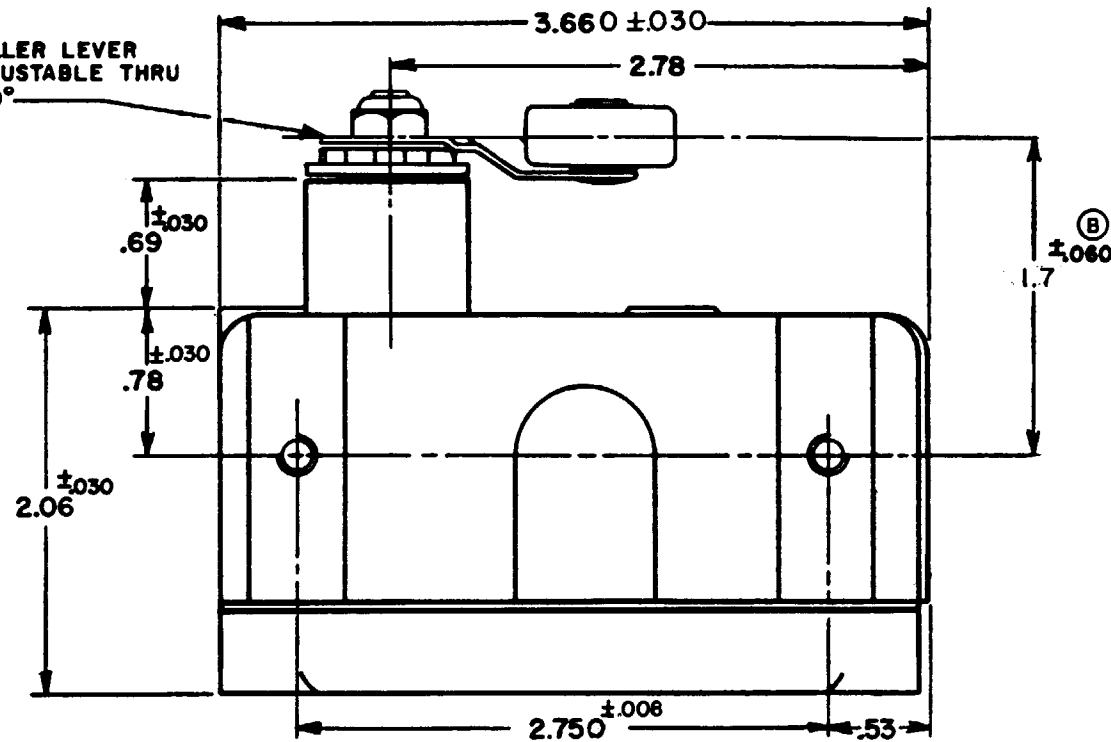


MTG HOLE AND SLOT FOR .250 DIA SCREW  
HOLE FOR NO. 10 PAN HEAD SCREW (6)



MOUNTING BRACKET (1) AND 10-32 UNF X .250 REF PAN HEAD SCREW (2) FURNISHED UNASSEMBLED  
SCALE - HALF SIZE

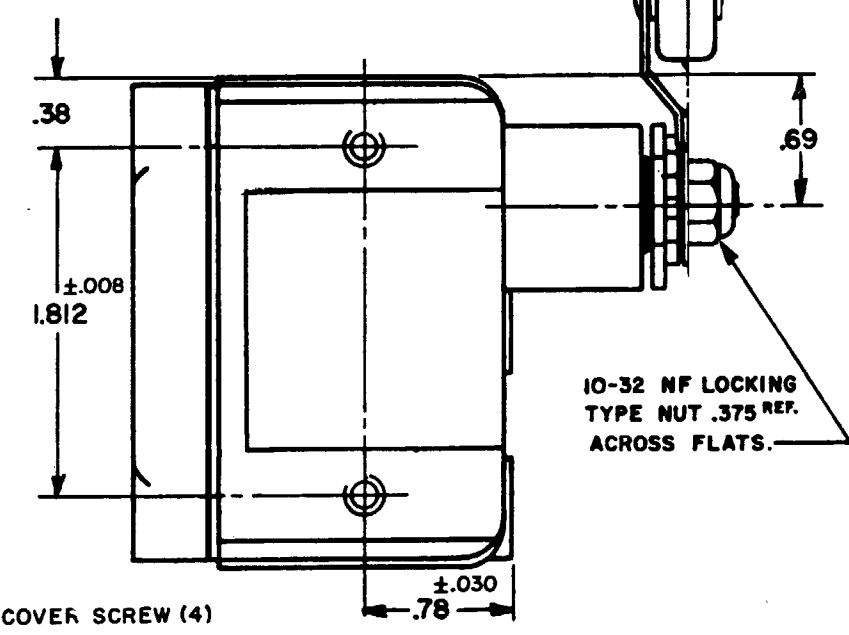
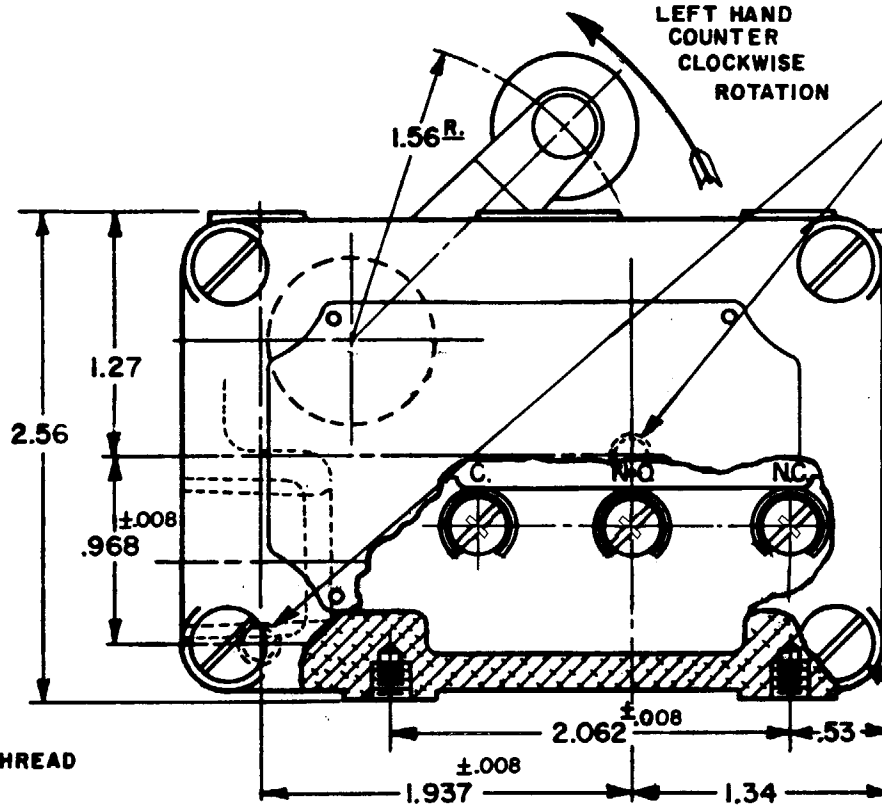
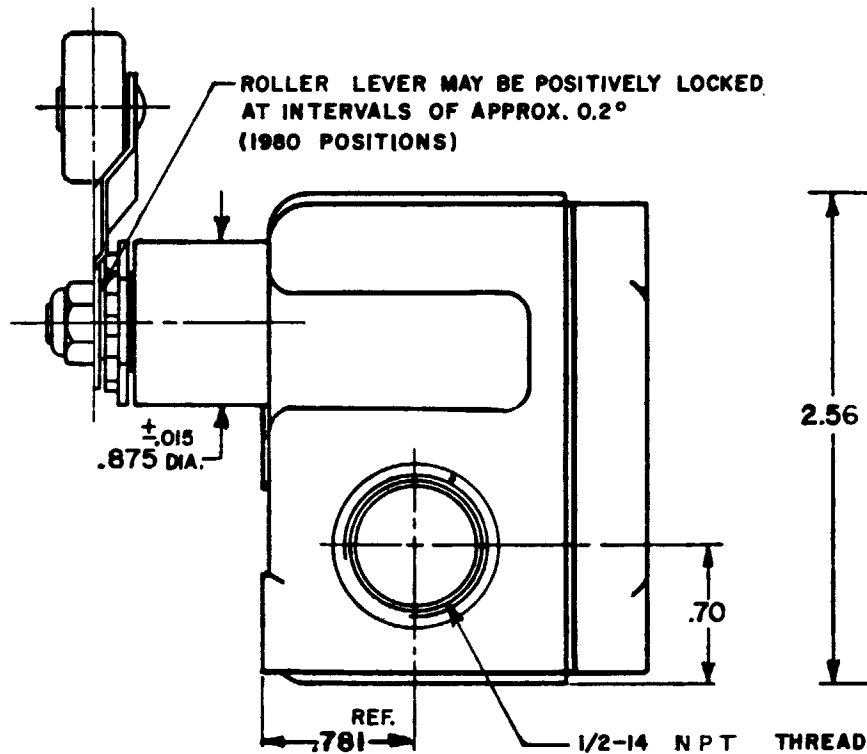
ROLLER LEVER ADJUSTABLE THRU 360°



.750 REF. DIA. X .250 REF. WIDE HARDENED STEEL ROLLER.

LEFT HAND COUNTER CLOCKWISE ROTATION  
(2) MOUNTING HOLE IN OPPOSITE WALL.

ROLLER LEVER MAY BE POSITIVELY LOCKED AT INTERVALS OF APPROX. 0.2° (1980 POSITIONS)



10-32 NF LOCKING TYPE NUT .375 REF. ACROSS FLATS.

CAPTIVE COVER SCREW (4)

M OP-AR30  
 DRAWING NUMBER  
 ISSUE 10  
 H. U. 7 SEPT. 55  
 CHECK A. C. G. 7 SEPT. 55  
 G. C. H. 12 SEPT. 55  
 R. G. C. 22, AUG. 55  
 DRAWN G. J. W. 29 SEP 52

REVISIONS  
 A CO9182  
 R. G. C. 22, AUG. 55  
 B CO11034  
 K. A. F. 13 DEC. 56  
 C CO13827  
 L. S. D. 18 JULY 59  
 D CO17653  
 CO16851  
 M. B. F. 10 DEC. 62  
 E CO18276  
 O. M. W. 19 JUN. 64  
 F CO20606  
 M. B. F. 22 FEB. 66  
 G CO19878  
 M. B. F. 13 OCT. 66  
 H CO26103  
 D. L. T. 21 JUL. 69  
 J CO55987  
 J. A. S. 5 NOV. 84  
 K CO55031  
 G. J. W. 25 MAR. 85  
 L CO73344  
 G. J. W. 29 SEP. 92

CHARACTERISTICS
OPERATING FORCE----- 2 1/2 LB. MAX.
PRETRAVEL----- 3 1/2° (.065 MAX.)
DIFFERENTIAL TRAVEL --- 1/4° (.007 MAX.)
OVERTRAVEL ----- DO NOT OVERTRAVEL MORE THAN 25°
BASIC SWITCH REPLACEMENT BZ-2R-P4

ELECTRICAL DATA
CONTACT ARRANGEMENT S. P. D. T.
-L96- 15 A-125, 250, OR 480 VAC 1/2 A-125 VDC; 1/4 A-250 VDC 1/8 HP-125 VAC; 1/4 HP-250 VAC

SCALE FULL
DO NOT SCALE PRINT
UNLESS OTHERWISE SPECIFIED DIMENSIONS ARE IN INCHES
TOLERANCES ARE:
ONE PLACE (.0) ±.030
TWO PLACE (.00) ±.018
THREE PLACE (.000) ±.008
ANGLES 2
WEIGHT

- NOTES
- (8) MOUNTING SCREW HOLES, 10-32 JF-2B THREADS X .219 REF DEEP
  - 8-32 NC X .219 REF BINDER HEAD TERMINAL SCREWS AND CUPWASHERS
  - SEALED CONSTRUCTION PROVIDES SPLASH RESISTANCE