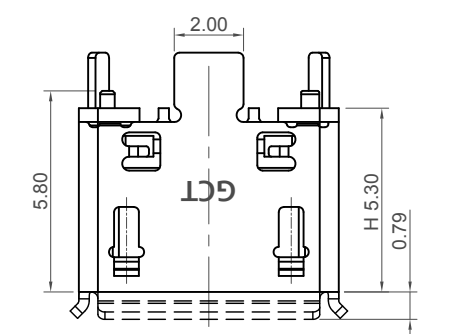
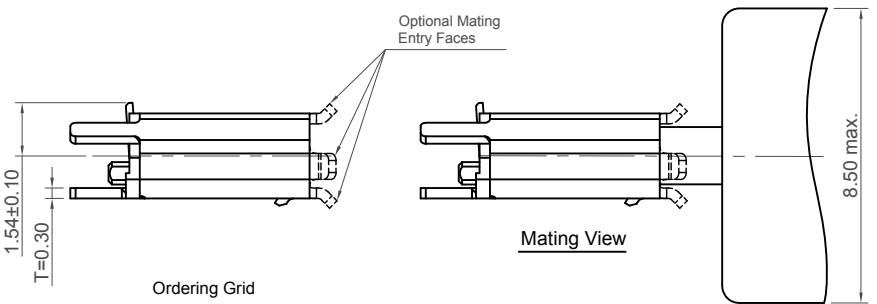
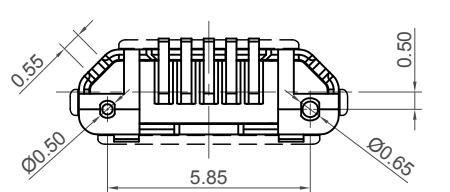
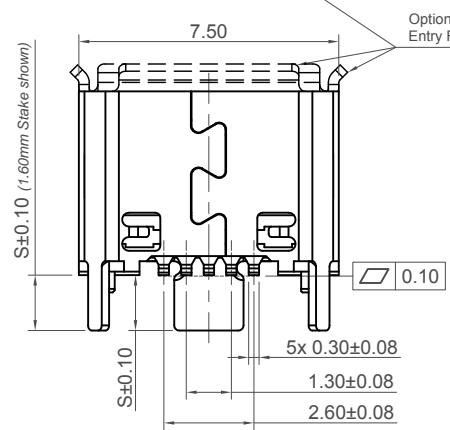


Recommended PCB Layout
 As viewed from component side General tolerance: ±0.03
 ▨ Solder Area □ Component Outline

PCB Mount & Cap Information



Ordering Grid
 USB3160 - 30 - XXXX - X - C [Request Samples and Quotation](#)

Contact Plating
 30 = 30µ" Gold

Shell Stake Length "S"
 0060 = 0.60mm
 0110 = 1.10mm (recommended for 0.80mm PCB)
 0160 = 1.60mm (recommended for 1.00mm PCB)

Packing Options
 C = Tape & Reel with Cap (500 per reel)

Mating Entry Face
 1 = With Mating Entry Face
 0 = Without Mating Entry Face

Designed to comply with physical, electrical and environmental requirements of Micro USB Standard (USB2.0)

Specifications

Material
 Plastic Housing: High Temp Plastic , UL94V-0, Black
 Contact Terminal: Copper Alloy
 Metallic Shell: Stainless Steel.

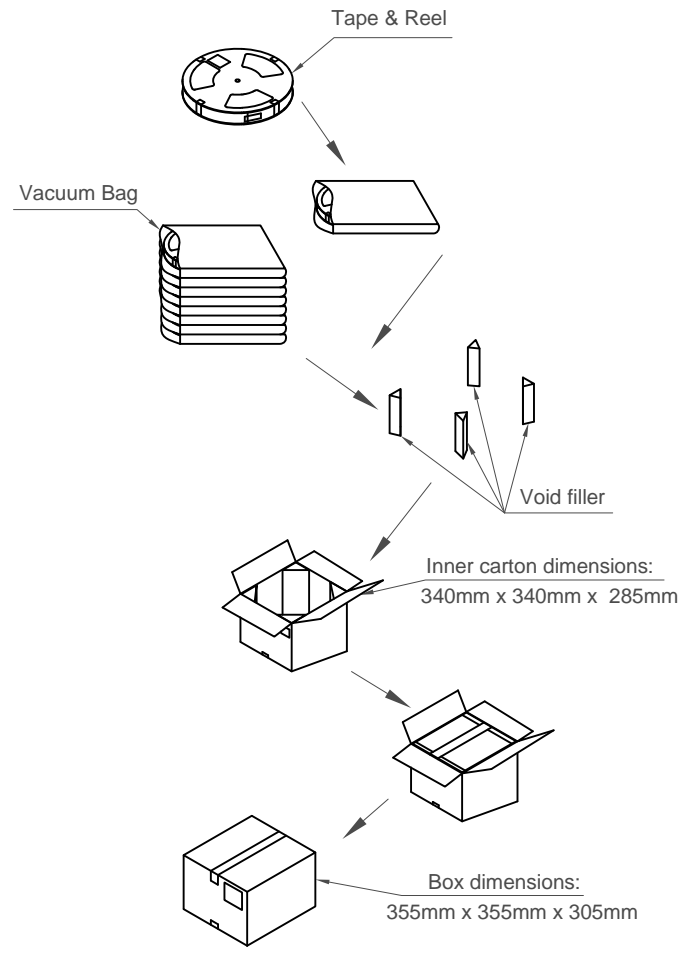
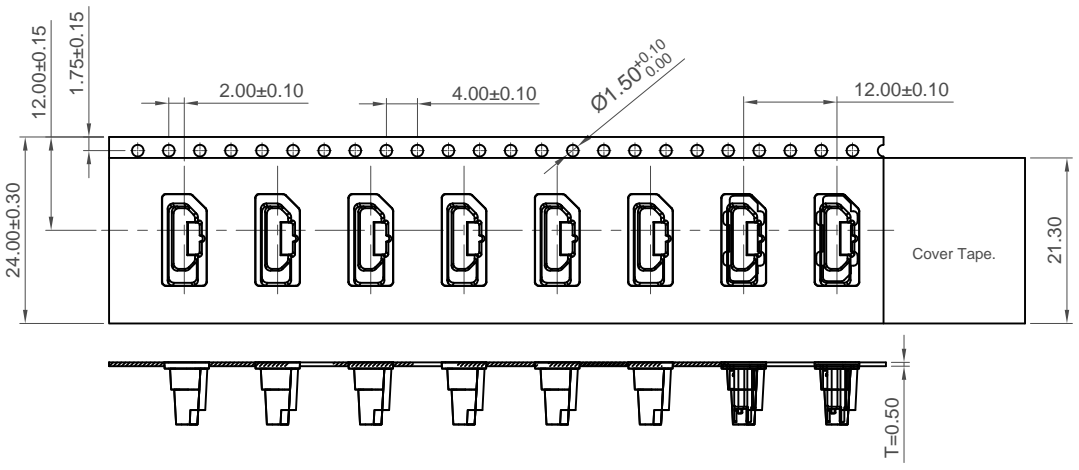
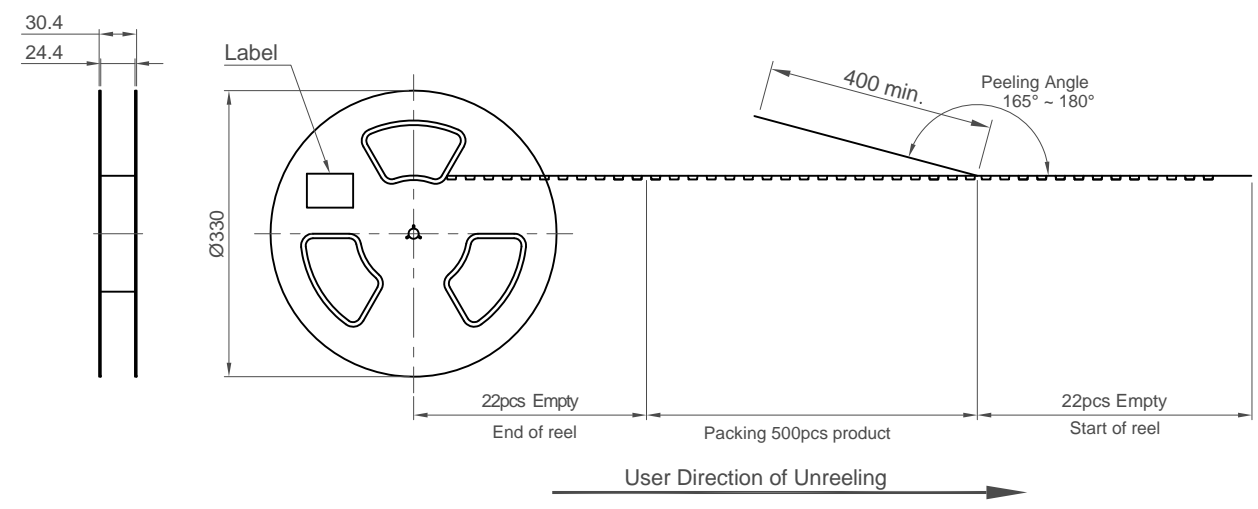
Plating
 Underplating: 50µ" Nickel min
 Finish: Contact Area: 30µ" Gold
 Solder Tails: Gold Flash
 Metallic Shell: Matte Tin

Electrical
 Voltage Rating : 30 V AC
 Current Rating: Signal (Pins 2,3,4): 1.0 A.
 Power (Pins1,5): 2.8A.
 Operating Temperature: -30°C to +85°C.
 Contact Resistance: 30mΩ max.
 Insulating Resistance: 1000MΩ min.
 Dielectric Withstand Voltage: 100V AC/minute

Mechanical & Environmental
 Mating Force: 35N max.
 Unmating Force: 8N min.
 Durability: 10,000 Cycles

Part Number		Product Description	
USB3160		Micro USB Receptacle, Type B, Surface Mount, Vertical, With Locating Peg & Through-Hole Shell Stakes	
Drawing Date		2nd November 2016	
By	CC	Tolerances (Except as Noted)	Units:
Detail	USB3160 C PCN	Length X ± 0.50 X.X ± 0.30 X.XX ± 0.20 X.XXX ± 0.10	Metric (mm)
Revision	C	Angle	± 2°
Date	13/12/17	3rd Angle Projection	
		This drawing is confidential and copyright of Global Connector Technology, Ltd (GCT). This drawing must not be copied or disclosed without written consent. E & OE	
Not to Scale	Drawn By CC	Sheet No. 1/2	www.gct.co




H
G
F
E
D
C
B
A



Notes:
Peeling off force of top tape: 0.1-1.3N (Peeling direction as shown)

Materials:
Carrier Tape: Polystyrene (PS)
Top Tape: PE
Reel Tape: Polystyrene (PS)
Bag: PE

Pcs / Reel	Reels / Carton	Total Quantity
500	9	4500 pcs

Part Number		Product Description		 www.gct.co
USB3160		Micro USB Receptacle, Type B, Surface Mount, Vertical, With Locating Peg & Through-Hole Shell Stakes		
Drawing Date		2nd November 2016		
By		CC		
Detail	USB3160 C PCN	Tolerances (Except as Noted)	Units:	  This drawing is confidential and copyright of Global Connector Technology, Ltd (GCT). This drawing must not be copied or disclosed without written consent. E & OE
Revision	C	Length	Metric (mm)	
Date	13/12/17	Angle	3rd Angle Projection	
		± 0.20	$\pm 2^\circ$	
		$\text{X.X} \pm 0.15$		
		$\text{X.XX} \pm 0.10$		
		$\text{X.XXX} \pm 0.05$		