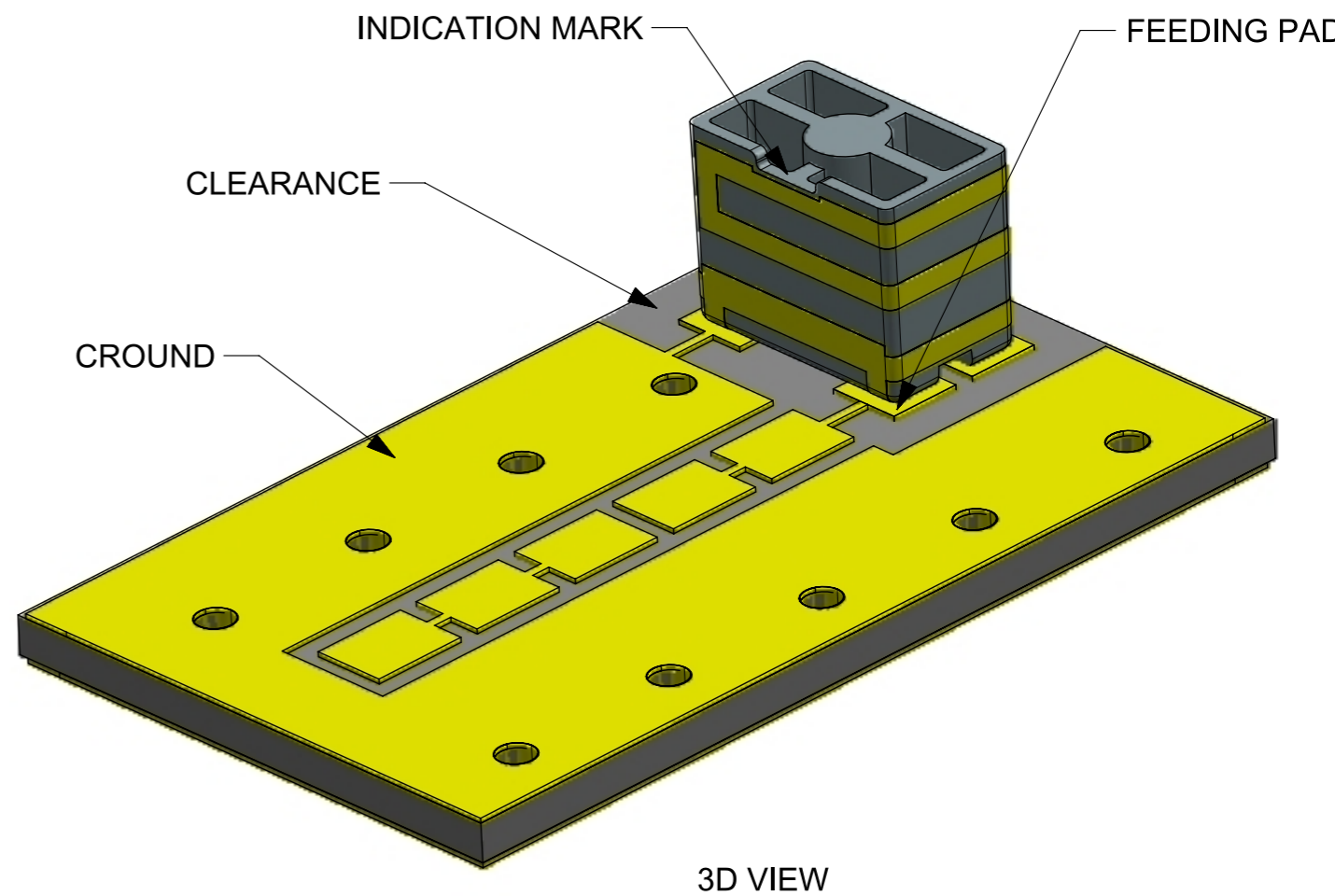
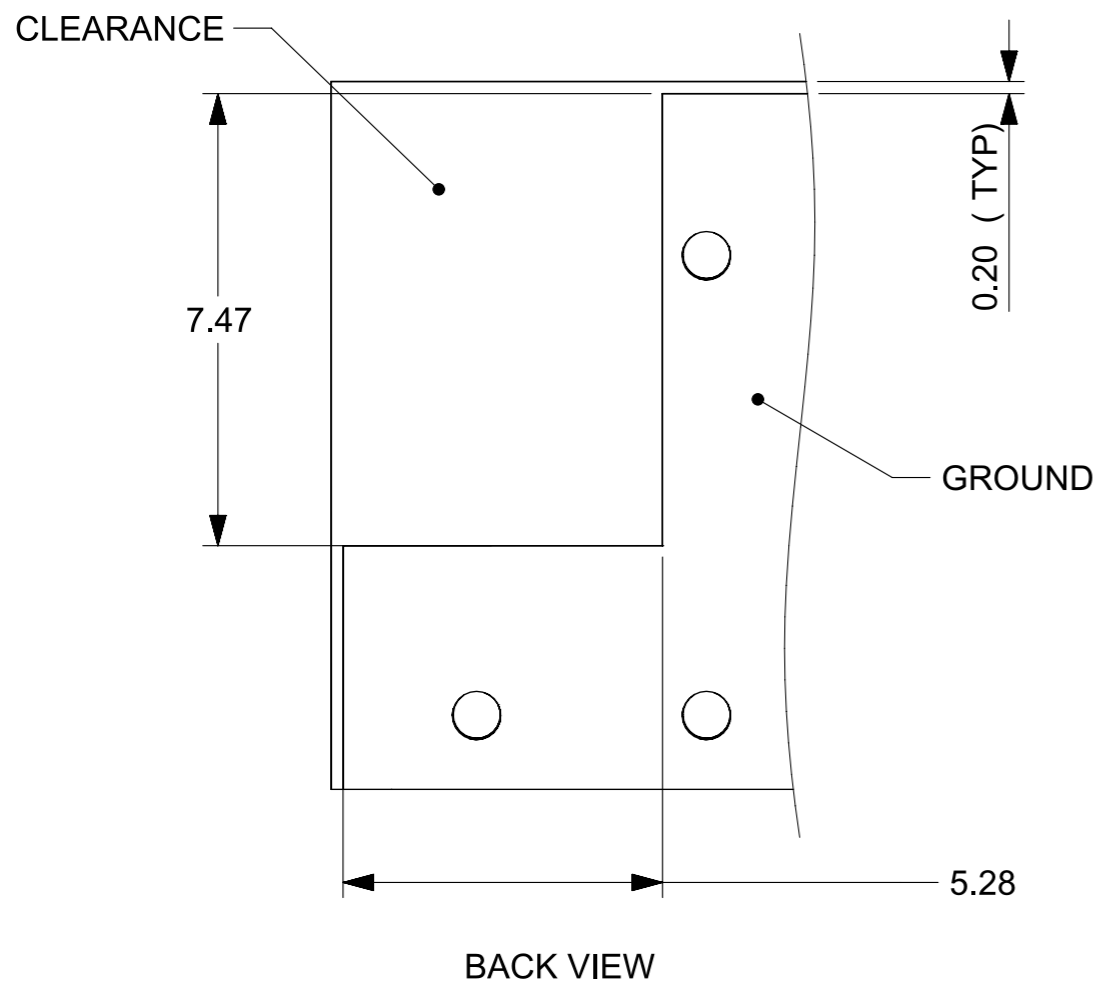
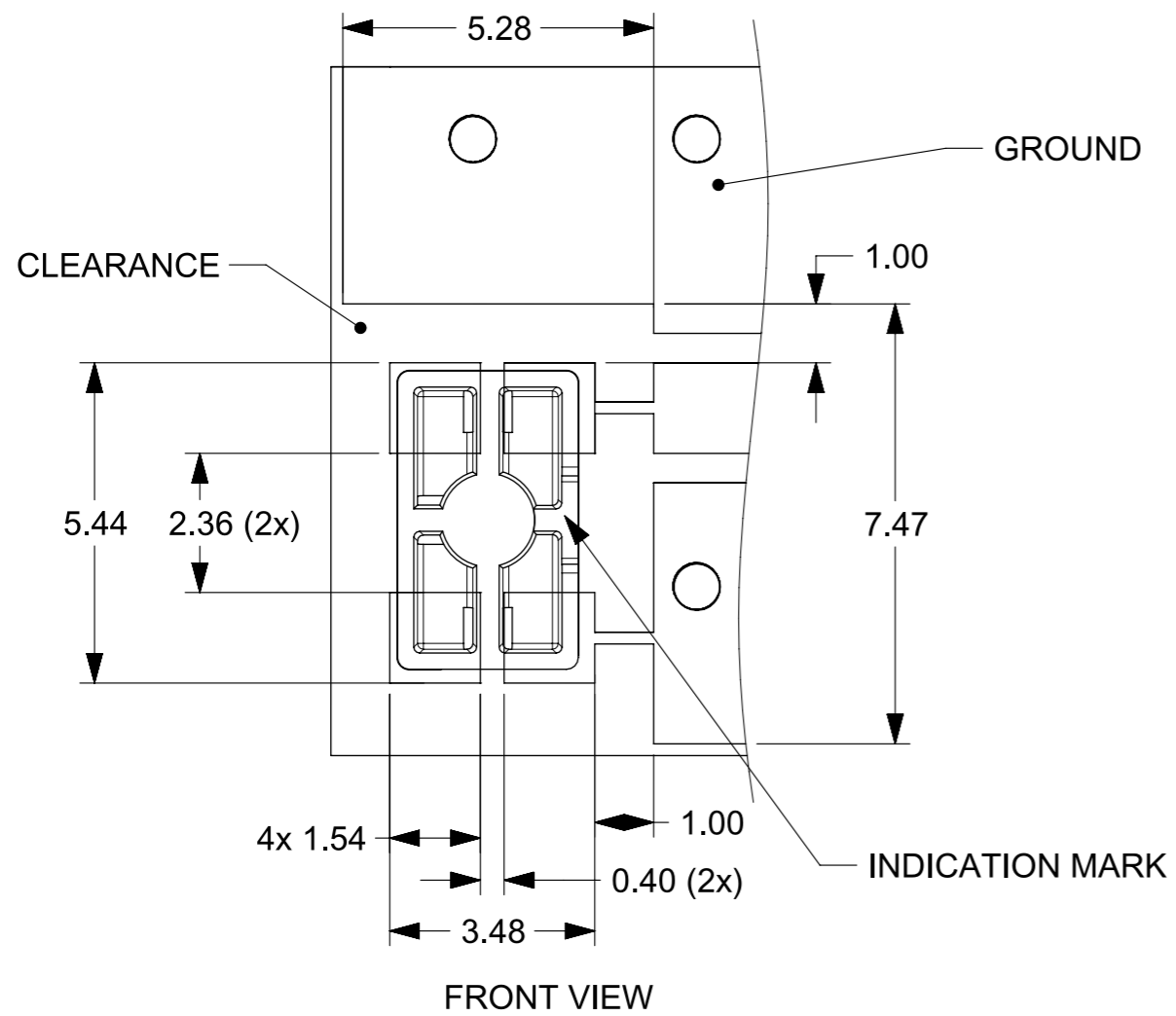


3D VIEW

- NOTE:
- 1.MATERIAL :LCP-LDS, VECTRA E840ILDS.
 - 2.PLATING SPEC:Cu:10~14um,Ni:1~2.5um,Au:0.05um Min.
 - 3.PRODUCT COMPLANT TO ROHS DIERTIVE 2002/95/EC AND ELV DIRECTIVE 2000/53/EC.
 - 4.PACKAGE SPEC REFER TO PK OF 146175-001.
 - 5.PRODUCT SPEC REFER TO PS OF 146175-001.
 - 6.APPLICATION SPEC REFER TO AS OF 146175-001.

THIS DRAWING CONTAINS INFORMATION THAT IS PROPRIETARY TO MOLEX INCORPORATED AND SHOULD NOT BE USED WITHOUT WRITTEN PERMISSION																	
QUALITY SYMBOLS	EC NO: 122013	DRWN: Kang Cheng	CHK'D: Colin Xu	APPR: Stary Song	GENERAL TOLERANCES (UNLESS SPECIFIED)		DIMENSION UNITS	SCALE									
					ANGULAR TOL ± 0.5 °		mm	14:1									
▽ = 0	B	REV	2017/09/15	2017/09/15	2017/09/15	4 PLACES ±	DRWN BY	DATE	SD FOR 2.4/5GHz SMT CHIP ANTENNA								
▽ = 0						3 PLACES ± 0.05	Kang Cheng	2017/09/15									
▽ = 0						2 PLACES ± 0.1	CHK'D BY	DATE	PRODUCT DESIGN DRAWING								
▼ = 0						1 PLACE ± 0.2	Colin Xu	2017/09/15									
▽ = 0						0 PLACES ± 0.3	APPR BY	DATE	<table border="1"> <tr> <td>SERIES</td> <td>MATERIAL NUMBER</td> <td>CUSTOMER</td> </tr> <tr> <td>146175</td> <td>1461750001</td> <td>GENERAL MARKET</td> </tr> </table>			SERIES	MATERIAL NUMBER	CUSTOMER	146175	1461750001	GENERAL MARKET
SERIES						MATERIAL NUMBER	CUSTOMER										
146175	1461750001	GENERAL MARKET															
☒ = 0	DRAFT WHERE APPLICABLE MUST REMAIN WITHIN DIMENSIONS		DRAWING SIZE	THIRD ANGLE PROJECTION	<table border="1"> <tr> <td>DOCUMENT NUMBER</td> <td>DOC TYPE</td> <td>DOC PART</td> <td>SHEET NUMBER</td> </tr> <tr> <td>SD-146175-001</td> <td>PSD</td> <td>SD</td> <td>1 OF 2</td> </tr> </table>			DOCUMENT NUMBER	DOC TYPE	DOC PART	SHEET NUMBER	SD-146175-001	PSD	SD	1 OF 2		
DOCUMENT NUMBER	DOC TYPE	DOC PART	SHEET NUMBER														
SD-146175-001	PSD	SD	1 OF 2														
■ = 0			A3														
▽ = 0																	



NOTE:

- 1.RECOMMENDED PCB LAYOUT PCB THICKNESS 0.8mm
- 2.GENERAL PCB TOLERANCE:+/-0.05mm
- 3.OVER FLOWING OF PATTERN PROFILE AFTER PLATING:0.03UM MAXIMUM.

THIS DRAWING CONTAINS INFORMATION THAT IS PROPRIETARY TO MOLEX INCORPORATED AND SHOULD NOT BE USED WITHOUT WRITTEN PERMISSION													
QUALITY SYMBOLS ▽ = 0 ▽ = 0 ▽ = 0 ▼ = 0 ▽ = 0 ⊠ = 0 ■ = 0 ▽ = 0	EC NO: 122013 DRWN: Kang Cheng CHK'D: Colin Xu APPR: Stary Song	GENERAL TOLERANCES (UNLESS SPECIFIED)		DIMENSION UNITS	SCALE								
		ANGULAR TOL ± 0.5 °		mm	14:1								
		4 PLACES ±	DRWN BY		DATE		PATTERN FOR 2.45G SMP ON FRONT ANTENNA SD FOR 2.45G SMP ON FRONT ANTENNA						
		3 PLACES ± 0.05	Kang Cheng		2017/09/15								
		2 PLACES ± 0.1	CHK'D BY		DATE								
		1 PLACE ± 0.2	Colin Xu		2017/09/15		PRODUCT DESIGN DRAWING						
		0 PLACES ± 0.3	APPR BY		DATE		SERIES	MATERIAL NUMBER	CUSTOMER				
		DRAFT WHERE APPLICABLE MUST REMAIN WITHIN DIMENSIONS		Stary Song		2017/09/15		146175	1461750001	GENERAL MARKET			
				DRAWING SIZE	THIRD ANGLE PROJECTION		DOCUMENT NUMBER		DOC TYPE	DOC PART	SHEET NUMBER		
				A3			SD-146175-001		PSD	SD	2 OF 2		