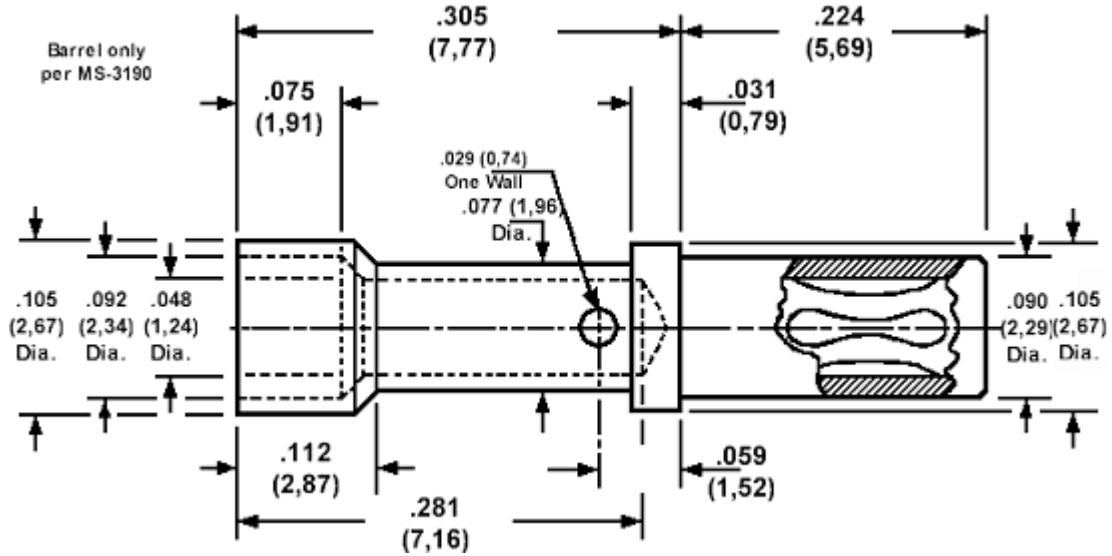


450-3367 socket for patch lead ends, for .040 (1,02) diameter pins.



Min hole depth (socket) .185 (4,70)

How to order code

450-3367-01-XX-00

Basic Part No XX = Finish

MATERIALS				
Component	Material	Finish (-03)	Finish (-04)	Finish (-06)
Body	Brass	Gold over Nickel	Tin	Tin
Spring	Beryllium copper	Gold over Nickel	Tin	Gold over Nickel

Recommended hook up wire size is 22 AWG (7 strands of 30AWG) copper wire, insulated, .053 (1,37) over insulation. (not supplied).

Will also accept 20 AWG (7 strands of 28AWG) copper wire, insulated and 24 AWG (7 strands of 32AWG) copper wire, insulated.

Recommended crimping pliers 435-5680-01-00-00