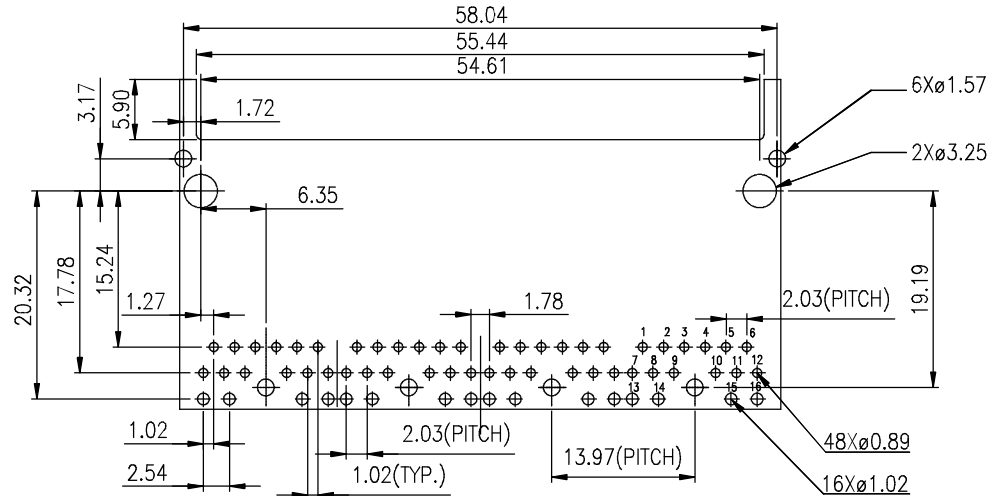
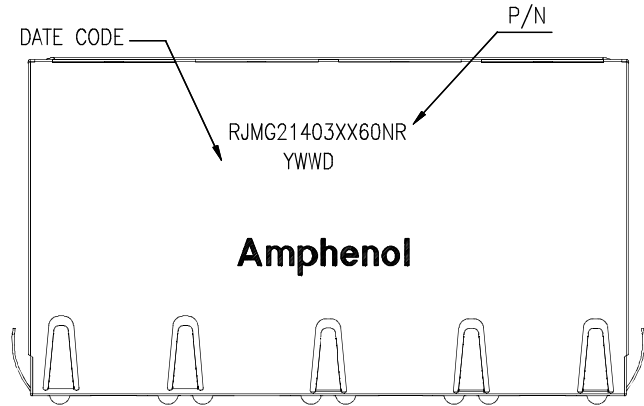


This document is the property of Amphenol Corporation and is delivered on the express condition that it is not to be disclosed, reproduced or used, in whole or in part, for manufacture or sale by anyone other than Amphenol Corporation without its prior consent, and that no right is granted to disclose or to use any information in this document.

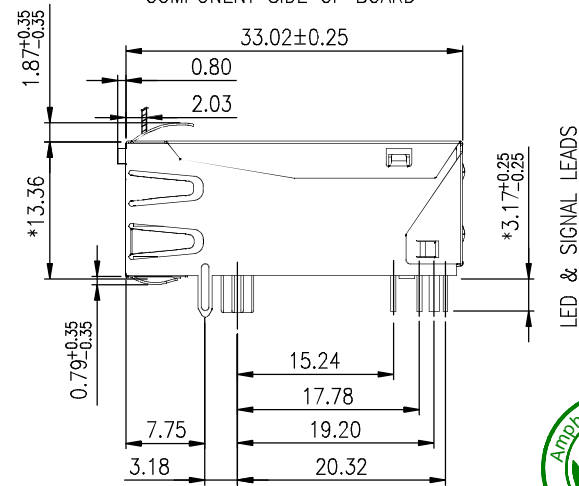
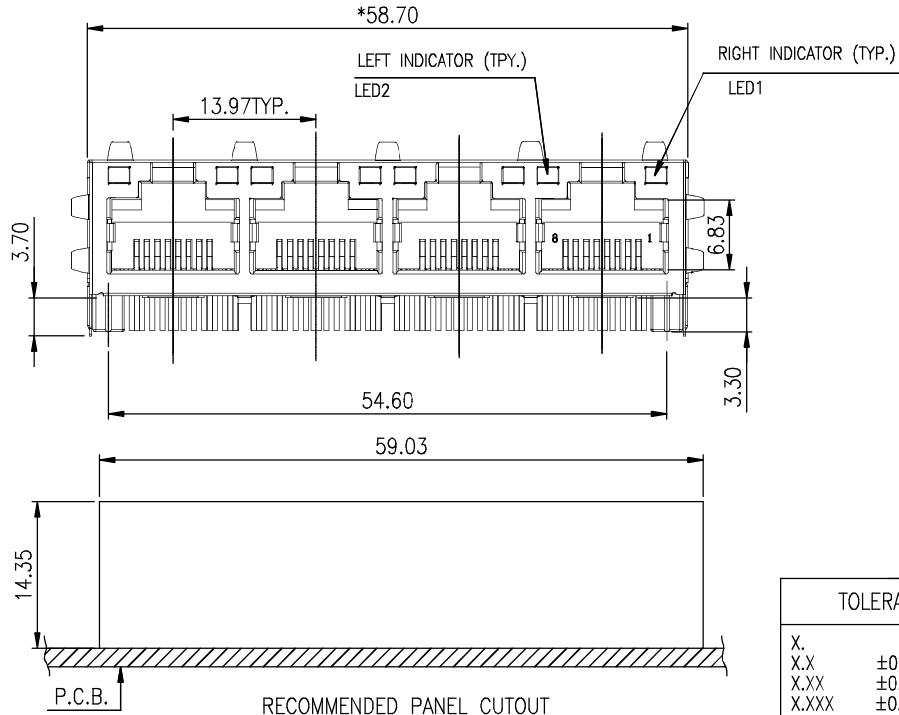
The marking on this product doesn't contain environmental hazardous materials per Material Specification SS-00259 for Sony GP compliant or per directive 2011/65/EU for RoHS compliant.

# CUSTOMER DRAWING ORIGINAL

REVISIONS				
SYM	ECN No.	DESCRIPTION	DATE	APPROVED
A		PROPOSAL DRAWING, NOT RELEASED	Jun.17.10	Jason Zhan
B	ECN-12-001	CHANGE TO NEW TEMPLATE, CORRECT THE NOTES OF QTY IN PAGE 3	3/27/2012	Roger Tsai
C	ECN-12-003	CORRECT THE OPERATING TEMPERATURE IN PAGE 3	4/11/2012	Roger Tsai
D	ECN-12-004	CHANGE THE SCHEMATIC TO IMPROVE THE PERFORMANCE	4/20/2012	Roger Tsai
E	NE-17048	ADD THE LENGTH 33.02 AND PCB EDGE SIZE	03/16/2017	Roger Tsai



RECOMMENDED P.C.B LAYOUT (GENERAL TOLERANCE:  $\pm 0.05$ )  
COMPONENT SIDE OF BOARD



TOLERANCE	APPROVALS	DATE	TITLE		UNIT		SIZE		PART No.	
X. $\pm 0.35$	DRAWN Arvin Ye	03/16/2017	RJ45 1X4 1G TYPE WITH FILTER & LED OPTION		mm	A3	RJM21403XX60NR		RJM21403XX60NR	
X.XX $\pm 0.25$	CHECKED Vivian Wen	03/16/2017								
X.XXX $\pm 0.15$	APPROVED Roger Tsai	03/16/2017								
ANGULAR $\pm 1^\circ$	DWG TYPE CUST DWG	PROJECT CODE GT264	UNIT mm		SCALE NA	SHEET 1 OF 4	REV. E			
UNLESS OTHERWISE SPECIFIED			PART No.		SIZE		REV.			

This document is the property of Amphenol Corporation and is delivered on the express condition that it is not to be disclosed, reproduced or used, in whole or in part, for manufacture or sale by anyone other than Amphenol Corporation without its prior consent, and that no right is granted to disclose or to use any information in this document.

The marking on this product doesn't contain environmental hazardous materials per Material Specification SS-00259 for Sony GP compliant or per directive 2011/65/EU for RoHS compliant.

# CUSTOMER DRAWING

## ORIGINAL

REVISIONS				
SYM	ECN No.	DESCRIPTION	DATE	APPROVED
A		PROPOSAL DRAWING, NOT RELEASED	Jun.17.10	Jason Zhan
B	ECN-12-001	CHANGE TO NEW TEMPLATE, CORRECT THE NOTES OF QTY IN PAGE 3	3/27/2012	Roger Tsai
C	ECN-12-003	CORRECT THE OPERATING TEMPERATURE IN PAGE 3	4/11/2012	Roger Tsai
D	ECN-12-004	CHANGE THE SCHEMATIC TO IMPROVE THE PERFORMANCE	4/20/2012	Roger Tsai
E	NE-17048	ADD THE LENGTH 33.02 AND PCB EDGE SIZE	03/16/2017	Roger Tsai

### ELECTRICAL SPECIFICATION(@25° C)

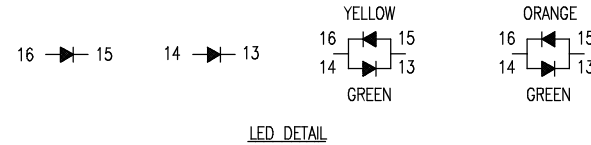
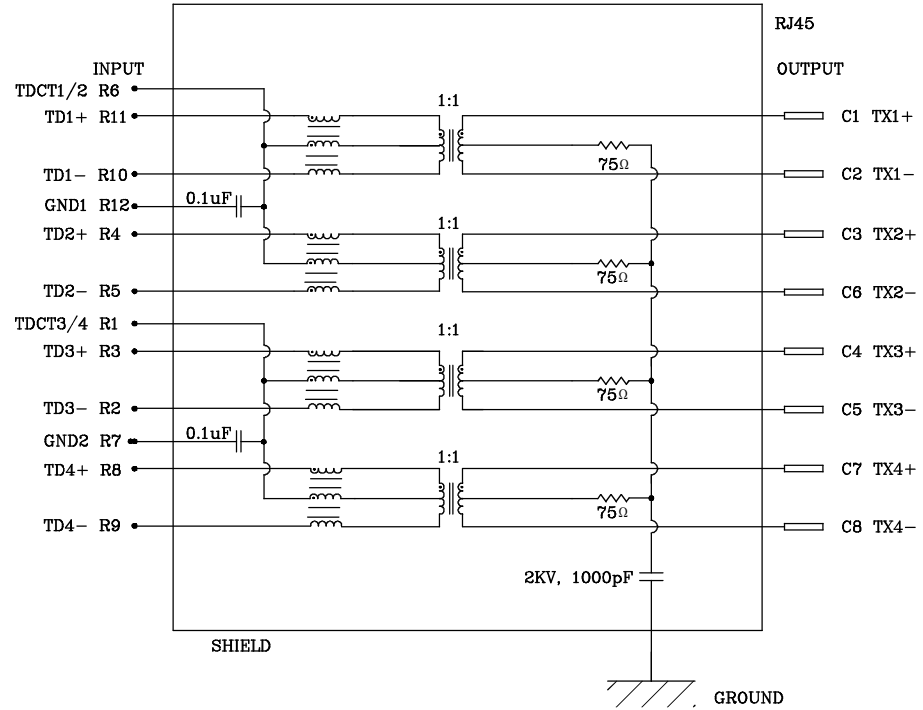
#### LED PERFORMANCE

PARAMETER	SINGLE COLOUR		BICOLOUR				UNITS
	GREEN	YELLOW	GREEN	YELLOW	GREEN	ORANGE	
FORWARD CURRENT IF MAX	30	30	30		30		mA
REVERSE CURRENT IR MAX	10	10	10		10		µA
REVERSE VOLTAGE VR MAX	-5	-5	-5		-5		V
T OPERATURE	-40~+85	-40~+85	-40~+85		-40~+85		°C
T SOLDERING	260+/-5	260+/-5	260+/-5		260+/-5		°C
POWER DISS. Pd	1/16	100	1/16		100		mW
INTENSITY Iv	45 Min	15 Min	20 Min	30 Min	20 Min	30 Min	MCD (@IF=20mA)
PEAK WAVELENGTH	565	585	565	585	565	605	nM
FORWARD VOLTAGE TYP	2.5	2.1	2.2	2.1	2.2	2.0	V (@IF=20mA)
FORWARD VOLTAGE MAX	2.9	2.6	2.6	2.6	2.6	2.6	V (@IF=20mA)

#### CONNECTOR PERFORMANCE

PARAMETER	LIMITS (MAX. OR MIN.)	FREQUENCY RANGE/ TEST CONDITIONS
INSERTION LOSS (RX/TX)	-0.8dB MAX. -1.2dB MAX.	0.1-100 MHz 100-125 MHz
RETURN LOSS (RX/TX)	-16dB MIN. -10+20 log(f/80MHz)dB MIN.	0.5-40 MHz 40-100 MHz
CM-CM REJECTION	-30dB MIN.	100 KHz-100 MHz
CM-DM REJECTION	-35dB MIN.	100 KHz-100 MHz
CROSSTALK ISOLATION (RX/TX)	-30+20 log(f/100MHz)dB MIN.	100 KHz-100 MHz
HIPOT (ISOLATION)	1.5kVrms MIN.	60S
OCL	350uH MIN.	100KHz 100mV 8mA
TURN RATIO	1:1±5%	

Signal Name	PCB Pin Number (PHY)
TDCT3/4 R1	1
TD3- R2	2
TD3+ R3	3
TD2+ R4	4
TD2- R5	5
TDCT1/2 R6	6
GND2 R7	7
TD4+ R8	8
TD4- R9	9
TD1- R10	10
TD1+ R11	11
GND1 R12	12



TOLERANCE	APPROVALS	DATE	TITLE		UNIT		SIZE	PART No.	
X. ±0.35	DRAWN Arvin Ye	03/16/2017	RJ45 1X4 1G TYPE WITH FILTER & LED OPTION		mm	A3	RJM21403XX60NR		
X.X ±0.25									
X.XX ±0.15	CHECKED Vivian Wen	03/16/2017							
ANGULAR ±1°	APPROVED Roger Tsai	03/16/2017							
UNLESS OTHERWISE SPECIFIED	DWG TYPE CUST DWG	PROJECT CODE GT264			SCALE NA	SHEET 2 OF 4	DWG No. RJMG21403XX60NR		REV. E

This document is the property of Amphenol Corporation and is delivered on the express condition that it is not to be disclosed, reproduced or used, in whole or in part, for manufacture or sale by anyone other than Amphenol Corporation without its prior consent, and that no right is granted to disclose or to use any information in this document.

The marking on this product doesn't contain environmental hazardous materials per Material Specification SS-00259 for Sony GP compliant or per directive 2011/65/EU for RoHS compliant.



# CUSTOMER DRAWING

## ORIGINAL

REVISIONS				
SYM	ECN No.	DESCRIPTION	DATE	APPROVED
A		PROPOSAL DRAWING, NOT RELEASED	Jun.17.10	Jason Zhan
B	ECN-12-001	CHANGE TO NEW TEMPLATE, CORRECT THE NOTES OF QTY IN PAGE 3	3/27/2012	Roger Tsai
C	ECN-12-003	CORRECT THE OPERATING TEMPERATURE IN PAGE 3	4/11/2012	Roger Tsai
D	ECN-12-004	CHANGE THE SCHEMATIC TO IMPROVE THE PERFORMANCE	4/20/2012	Roger Tsai
E	NE-17048	ADD THE LENGTH 33.02 AND PCB EDGE SIZE	03/16/2017	Roger Tsai

RJMG-2140 - 3 X - X 6- 0 N R

R: RoHS Compliant;  
A electrical specifications

PLATING AND PACKAGE  
N: Gold 30u Inches, Copper  
Alloy Shield with Nickel 50u inches, Tray

LED1 (RIGHT SIDE) SEE LED1 OPTIONS

- 0- No LED (Blocked Hole)
- 1- Green
- 2- Yellow
- 4- Bi-color Green/Yellow
- 6- Bi color Green/Orange

LED2 (LEFT SIDE) SEE LED1 OPTIONS

- 0- No LED (Blocked Hole)
- 1- Green
- 2- Yellow
- 4- Bi-color Green/Yellow
- 6- Bi color Green/Orange



MATERIALS:

INSULATOR: THERMOPLASTIC POLYESTER,  
COLOR: BLACK  
FLAMMABILITY RATING UL 94V-0

CONTACTS (RJMG): PHOSPHOR BRONZE  
PLATING: GOLD 30U" PLATING ON MATING SURFACES OR  
APPROVED EQUIVALENT GOLD FLASH OVER PdNi  
120 MICRINCHES PURE TIN ON TAILS.

SHIELD: STAINLESS STEEL T=0.2MM,  
GROUND PIN: PRE-SOLDERING

DIMENSIONS MARKED WITH "\*" SHALL BE MEASURED.

MECHANICAL FEATURES:

SOLDERABILITY: MIL-STD-202,METHOD 208.

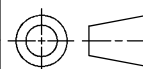
MATING/UNMATING FORCE:

RJ PORT MATING/UNMATING 2.1Kg MAX  
MATING/UNMATING CYCLES: (DURABILITY) 2000  
RETENTION FORCE FOR RJ PORT: 5Kg FOR 1 MINUTE  
PACKAGING: 20PCS/PLASTIC TRAY,10 TRAYS/CARTON  
MEET FCC PART 68.500 REQUIREMENTS.

OTHERS:

- 1.Operating Temperature : 0°C TO +70°C
- 2.Storage Temperature : -40°C TO +85°C
- 3.Wave soldering temperature : 260Deg.C 10sec.
- 4.JACK CAVITY CONFORMS TO FCC RULES AND REGULATIONS PART 68 , SUBPART F
- 5.Product Specification refer to:PS-R904

TOLERANCE		APPROVALS		DATE	TITLE			Amphenol®		
X.		DRAWN	Arvin Ye	03/16/2017	RJ45 1X4 1G TYPE WITH FILTER & LED OPTION			Amphenol Corporation Amphenol Taiwan Corporation		
X.X	±0.35	CHECKED	Vivian Wen	03/16/2017						
X.XX	±0.25	APPROVED	Roger Tsai	03/16/2017						
X.XXX	±0.15	UNLESS OTHERWISE SPECIFIED		CUST DWG	PROJECT CODE	GT264		PART No. RJMG21403XX60NR		
ANGULAR	±1°				UNIT	mm	SIZE	A3	REV. E	
					SCALE	NA	SHEET	3 OF 4	DWG No. RJMG21403XX60NR	



This document is the property of Amphenol Corporation and is delivered on the express condition that it is not to be disclosed, reproduced or used, in whole or in part, for manufacture or sale by anyone other than Amphenol Corporation without its prior consent, and that no right is granted to disclose or to use any information in this document.

The marking on this product doesn't contain environmental hazardous materials per Material Specification SS-00259 For Sony GP compliant or per directive 2011/65/EU For RoHS compliant.



# CUSTOMER DRAWING

## ORIGINAL

REVISIONS				
SYM	ECN No.	DESCRIPTION	DATE	APPROVED
A		PROPOSAL DRAWING, NOT RELEASED	Jun.17.10	Jason Zhan
B	ECN-12-001	CHANGE TO NEW TEMPLATE, CORRECT THE NOTES OF QTY IN PAGE 3	3/27/2012	Roger Tsai
C	ECN-12-003	CORRECT THE OPERATING TEMPERATURE IN PAGE 3	4/11/2012	Roger Tsai
D	ECN-12-004	CHANGE THE SCHEMATIC TO IMPROVE THE PERFORMANCE	4/20/2012	Roger Tsai
E	NE-17048	ADD THE LENGTH 33.02 AND PCB EDGE SIZE	03/16/2017	Roger Tsai

PRODUCT		TRAY PER	PCS PER	PCS PER	PCS PER
SERIES	PORTS	PE BAG	TRAY	PE BAG	MASTER CARTON
GT264	1X4	5	20	100	200

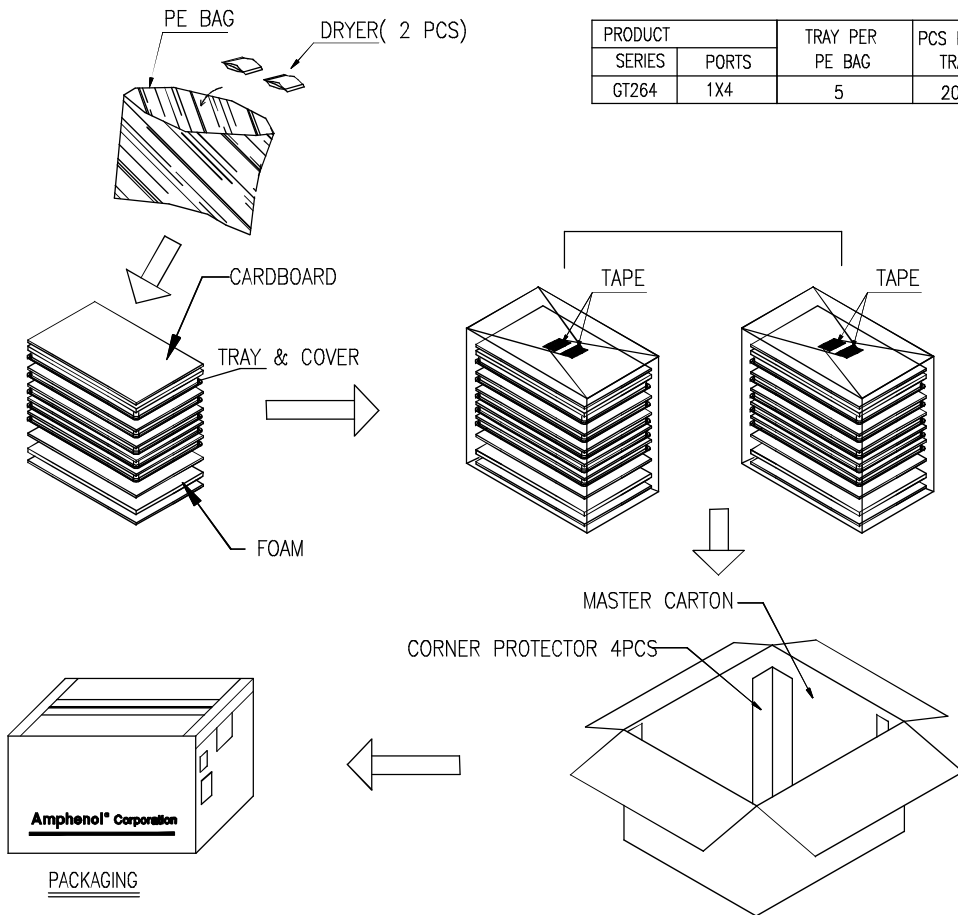


**NOTES:**

OUTER BOX(MASTER CARTON):  
 A+B, 5LAYERS, K=K, 6.0±0.5MM THICKNESS.  
 BREAK STRENGTH (P): 9Kgf/cm<sup>2</sup> MINIMUM PER CNS(CD-1).  
 INSPECTION LEVEL PER ML-STD-105D.

MATERIAL	QTY(PCS)	DESCRIPTION
TRAY	10	-
COVER	10	-
PE BAG	2	1PCS PER INNER BOX
DRYER	4	2PCS PER INNER BOX
OUTER BOX	1	560X360X188 MM
FOAM	4	2 PCS PER INNER BOX
CARDBOARD	12~16	6~8 PCS PER INNER BOX
CORNER PROTECTOR	4	4 PCS IN OUTER BOX

\* The Cardboard QTY depend on the packing status(loose or tight).



TOLERANCE		APPROVALS		DATE	TITLE			Amphenol®		
X.		DRAWN	Arvin Ye	03/16/2017	RJ45 1X4 1G TYPE WITH FILTER & LED OPTION			Amphenol Corporation Amphenol Taiwan Corporation		
X.X	±0.35	CHECKED	Vivian Wen	03/16/2017						
X.XX	±0.25	APPROVED	Roger Tsai	03/16/2017						
X.XXX	±0.15	DWG TYPE		PROJECT CODE				PART No. RJMG21403XX60NR		
ANGULAR	±1°	CUST DWG		GT264				UNIT	mm	SIZE
UNLESS OTHERWISE SPECIFIED					SCALE	NA	SHEET	4 OF 4	DWG No. RJMG21403XX60NR	