

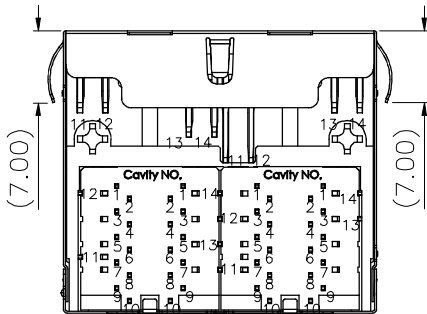
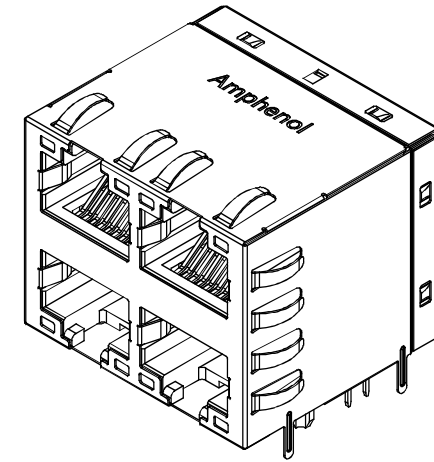
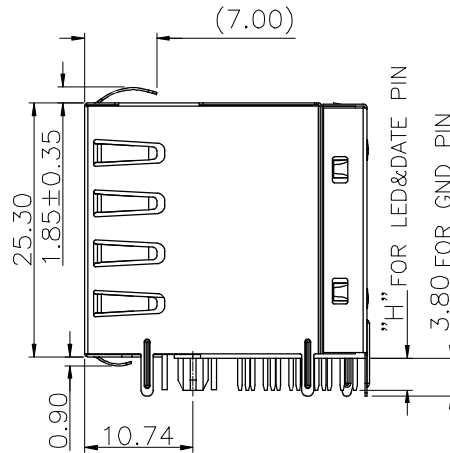
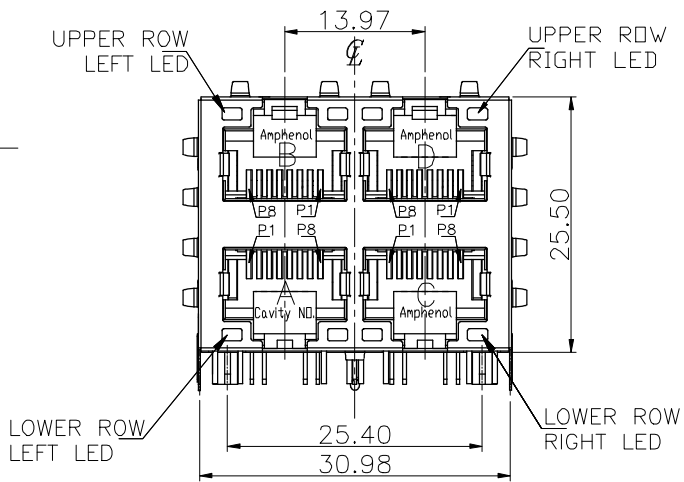
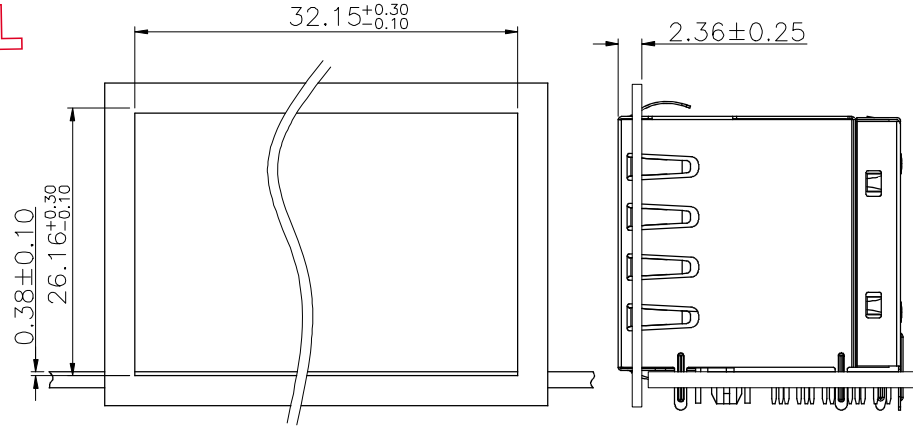
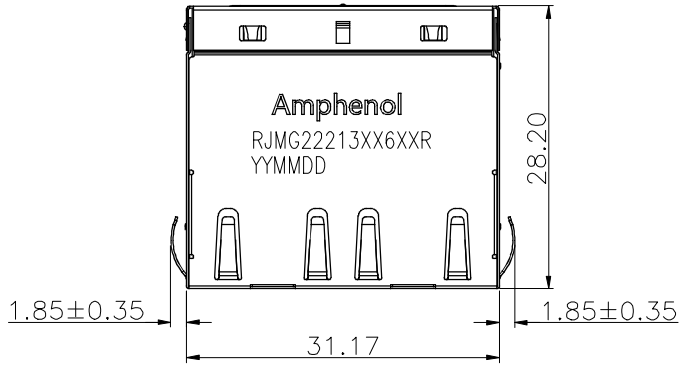
This document is the property of Amphenol Corporation and is delivered on the express condition that it is not to be disclosed, reproduced or used, in whole or in part, for manufacture or sale by anyone other than Amphenol Corporation without its prior consent, and that no right is granted to disclose or to use any information in this document.

The marking on this product doesn't contain environmental hazardous materials per Material Specification SS-00259 For Sony GP compliant or per directive 2011/65/EU for RoHS compliant.

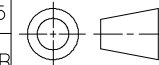
# CUSTOMER DRAWING

REVISIONS				
SYM	ECN No.	DESCRIPTION	DATE	APPROVED
A	NE-15124	Initial Release	10/21/2015	Roger Tsai

**ORIGINAL**



TOLERANCE	APPROVALS	DATE	TITLE		Amphenol®	
X. ±0.35	DRAWN Jophy Li	10/21/2015	RJMG222X SERIES 2X2 1000 Base-T SERIES with LED		Amphenol Corporation Amphenol Taiwan Corporation	
X.X ±0.25	CHECKED Vivian Wen	10/21/2015				
X.XXX ±0.15	APPROVED Roger Tsai	10/21/2015				
ANGULAR ±1°	DWG TYPE CUST DWG	PROJECT CODE GT502-B	UNIT mm	SIZE A3	PART No.	RJMG22213XX6XXR
UNLESS OTHERWISE SPECIFIED			SCALE NA	SHEET 1 OF 5	DWG No.	RJMG22213XX6XXR
					REV.	A



This document is the property of Amphenol Corporation and is delivered on the express condition that it is not to be disclosed, reproduced or used, in whole or in part, for manufacture or sale by anyone other than Amphenol Corporation without its prior consent, and that no right is granted to disclose or to use any information in this document.

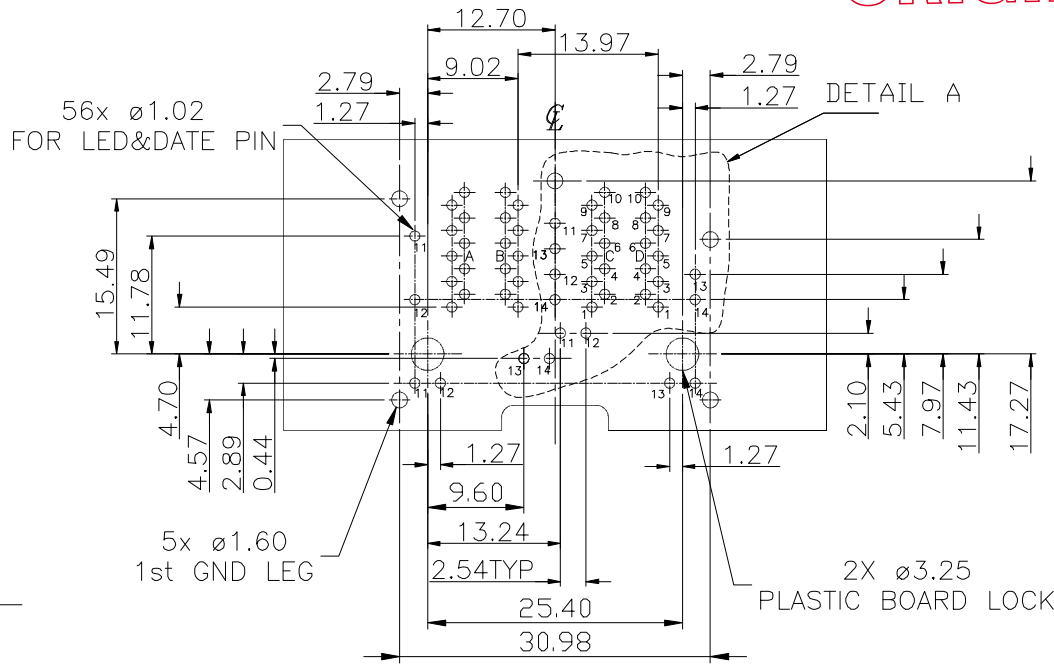
The marking on this product doesn't contain environmental hazardous materials per Material Specification SS-00259 For Sony GP compliant or per directive 2011/65/EU for RoHS compliant.

# CUSTOMER DRAWING

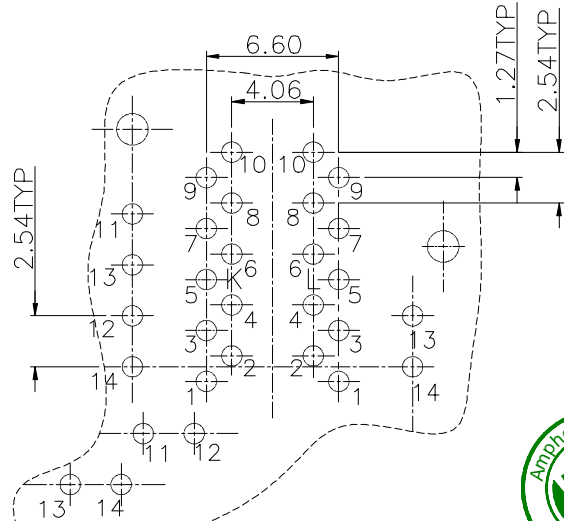
## ORIGINAL

REVISIONS				
SYM	ECN No.	DESCRIPTION	DATE	APPROVED
A	NE-15124	Initial Release	10/21/2015	Roger Tsai

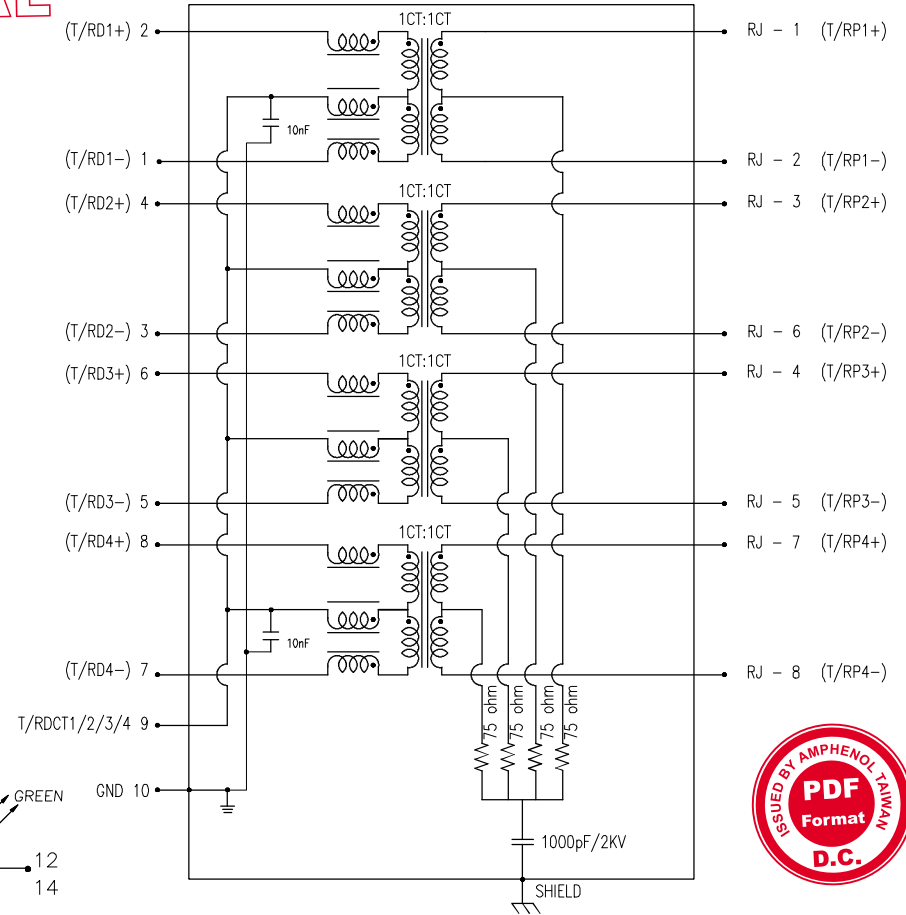
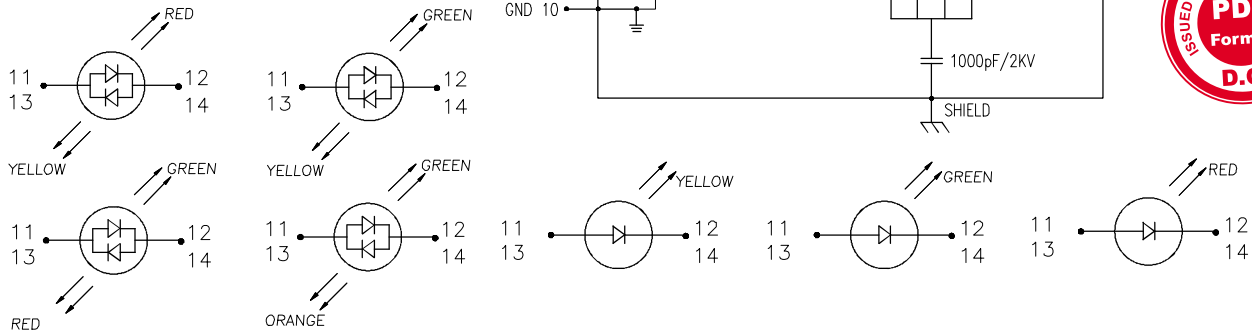
### SCHEMATIC DRAWING TYPE 2



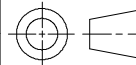
RECOMMENDED PCB LAYOUT COMPONENT SIDE  
ALL DIMENSION TOLERANCE ARE  $\pm 0.08$  UNLESS OTHERWISE SPECIFIED



DETAIL A  
SCALE 2:1



TOLERANCE	APPROVALS	DATE	TITLE		UNIT		SIZE		PART No.	
X. $\pm 0.35$ X.X $\pm 0.25$ X.XX $\pm 0.15$ X.XXX $\pm 0.15$	DRAWN Jophy Li	10/21/2015	RJMG222X SERIES 2X2		mm	A3		RJM22213XX6XXR		
ANGULAR $\pm 1^\circ$	CHECKED Vivian Wen	10/21/2015	1000 Base-T SERIES		SCALE	2 OF 5		REV.		
UNLESS OTHERWISE SPECIFIED	APPROVED Roger Tsai	10/21/2015	with LED		NA	SHEET		RJM22213XX6XXR		
	DWG TYPE CUST DWG	PROJECT CODE GT502-B							A	



## Amphenol®

Amphenol Corporation  
Amphenol Taiwan Corporation

This document is the property of Amphenol Corporation and is delivered on the express condition that it is not to be disclosed, reproduced or used, in whole or in part, for manufacture or sale by anyone other than Amphenol Corporation without its prior consent, and that no right is granted to disclose or to use any information in this document.

The marking on this product doesn't contain environmental hazardous materials per Material Specification SS-00259 For Sony GP compliant or per directive 2011/65/EU for RoHS compliant.

# CUSTOMER DRAWING ORIGINAL

REVISIONS				
SYM	ECN No.	DESCRIPTION	DATE	APPROVED
A	NE-15124	Initial Release	10/21/2015	Roger Tsai Roger Tsai

## ELECTRICAL SPECIFICATION(@25° C)

### LED PERFORMANCE

PARAMETER	SINGLE COLOUR		BICOLOUR		UNITS
	YELLOW	GREEN	GREEN	ORANGE	
FORWARD CURRENT IF MAX	30		30		mA
REVERSE CURRENT IR MAX	10		10		uA
REVERSE VOLTAGE VR MAX	-5		-5		V
T OPERATURE TOP	-20~+80		-20~+80		℃
T SOLDERINGTURE TS	260+/-5		260+/-5		℃
POWER DISS. Pd	75		75		mW
INTENSITY IV MIN	28		18	45	MCD
PEAK WAVELENTH	585	574	574	611	nM
FORWARD VOLTAGE TYP	2.1		2.0	2.0	V
FORWARD VOLTAGE MAX	2.4		2.4	2.4	V

### CONNECTOR PERFORMANCE

PARAMETER	LIMITS (MAX. OR MIN.)	FREQUENCY RANGE/TEST CONDITIONS
INSERTION LOSS (RX/TX)	-1.0dB MAX.	0.1-100 MHz
	-1.2dB MAX.	100-125 MHz
RETURN LOSS (RX/TX)	-18dB MIN.	1-30 MHz
	-16dB MIN.	30-60 MHz
	-12dB MIN.	60-80 MHz
	-10dB MIN.	80-100 MHz
CM-CM REJECTION	-30dB MIN.	1MHz-100MHz
CROSSTALK ISOLATION(RX/TX)	-30dB MIN.	1MHz-100MHz
HIPOT (ISOLATION)	1.5kVrms MIN.	60S
OCL	350uH MIN.	100KHz 100mV 8mA
TURN RATIO	1:1±5%	



TOLERANCE	APPROVALS	DATE	TITLE			Amphenol®		
X. ±0.35	DRAWN Jophy Li	10/21/2015	RJMG222X SERIES 2X2 1000 Base-T SERIES with LED			Amphenol Corporation Amphenol Taiwan Corporation		
X.X ±0.25								
X.XXX ±0.15	APPROVED Roger Tsai	10/21/2015	UNIT mm	SIZE A3	PART No. RJMG22213XX6XXR			
ANGULAR ±1°	DWG TYPE CUST DWG	PROJECT CODE GT502-B	SCALE NA	SHEET 3 OF 5	DWG No. RJMG22213XX6XXR		REV. A	
UNLESS OTHERWISE SPECIFIED								

This document is the property of Amphenol Corporation and is delivered on the express condition that it is not to be disclosed, reproduced or used, in whole or in part, for manufacture or sale by anyone other than Amphenol Corporation without its prior consent, and that no right is granted to disclose or to use any information in this document.

The marking on this product doesn't contain environmental hazardous materials per Material Specification SS-00259 For Sony GP compliant or per directive 2011/65/EU for RoHS compliant.

# CUSTOMER DRAWING

REVISIONS				
SYM	ECN No.	DESCRIPTION	DATE	APPROVED
A	NE-15124	Initial Release	10/21/2015	Roger Tsai

RJMG22213 X X 6 X X R

**ORIGINAL**

RIGHT LED CODE

LEFT LED CODE

- 0: No LED's Blocked Hole
- 1: Green
- 2: Yellow
- 3: Red
- 4: Bi-color Green/ Yellow
- 5: Bi-color Red/Green
- 6: Bi-color Green/Orange
- 7: Bi-color Red/Yellow

Plating and Packaging:

- C: gold flash, Stainless steel shield, tray
- D: gold 15 $\mu$ ", Stainless steel shield, tray
- E: gold 30 $\mu$ ", Stainless steel shield, tray
- F: gold 50 $\mu$ ", Stainless steel shield, tray

THE "H" FOR LED&DATE PIN LENGTH OPTION

- L: H=2.54mm
- M: H=3.05mm
- N: H=3.18mm
- P: H=3.81mm
- Q: H=4.10mm

**MATERIALS:**

- 1. Terminal Parts:
  - 1.1. RJ Output Terminal : Phosphor Bronze, Thickness=0.30mm  
Finish: Selective gold plating on contact area
  - 1.2. RJ input Terminal : Brass, Thickness=0.35mm  
Finish: 100 $\mu$ " min. tin over 50~100 $\mu$ " Nickel.

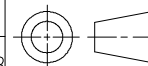
- 2. Plastic Parts:
  - High temperature Thermoplastic, Black, UL94V-0.

- 3. Shell Parts:
  - Shell: Stainless, Thickness=0.20mm,

- OTHERS:**
- 1. Operating Temperature : 0°C TO +70°C
  - 2. Storage Temperature : -40°C TO +85°C
  - 3. JACK CAVITY CONFORMS TO FCC RULES AND REGULATIONS PART 68 , SUBPART F  
Grounding Leg : Pre-soldering
  - 4. Productspecification refer to PS-R933
  - 5. TEST summary refer to: TS-R933



TOLERANCE	APPROVALS	DATE	TITLE			PART No.			
X. X.X ±0.35 X.XX ±0.25 X.XXX ±0.15 ANGULAR ±1° UNLESS OTHERWISE SPECIFIED	DRAWN	Jophy Li	10/21/2015	RJMG222X SERIES 2X2			Amphenol®		
	CHECKED	Vivian Wen	10/21/2015	1000 Base-T SERIES			Amphenol Corporation		
	APPROVED	Roger Tsai	10/21/2015	with LED			Amphenol Taiwan Corporation		
	DWG TYPE	CUST DWG	PROJECT CODE	UNIT	SIZE	SHEET	DWG No.	REV.	
			GT502-B	mm	A3	4 OF 5	RJMG22213XX6XXR	A	
				SCALE					
				NA					

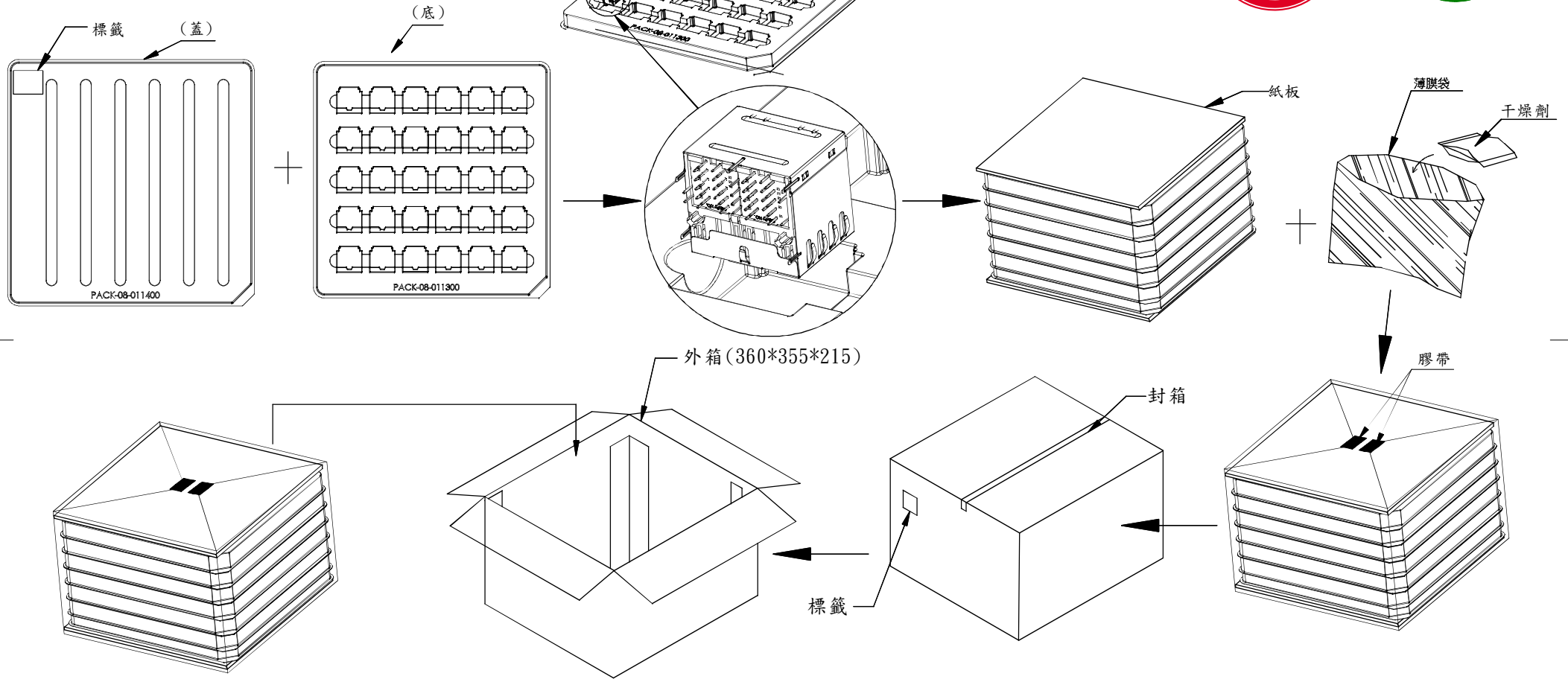


This document is the property of Amphenol Corporation and is delivered on the express condition that it is not to be disclosed, reproduced or used, in whole or in part, for manufacture or sale by anyone other than Amphenol Corporation without its prior consent, and that no right is granted to disclose or to use any information in this document.

The marking on this product doesn't contain environmental hazardous materials per Material Specification SS-00259 For Sony GP compliant or per directive 2011/65/EU for RoHS compliant.

# CUSTOMER DRAWING ORIGINAL

REVISIONS				
SYM	ECN No.	DESCRIPTION	DATE	APPROVED
A	NE-15124	Initial Release	10/21/2015	Roger Tsai



TOLERANCE		APPROVALS		DATE		TITLE		
X.		DRAWN	Jophy Li	10/21/2015		RJMG222X SERIES 2X2 1000 Base-T SERIES with LED		
X.X	±0.35	CHECKED	Vivian Wen	10/21/2015				
X.XX	±0.25	APPROVED	Roger Tsai	10/21/2015				
X.XXX	±0.15	DWG TYPE		PROJECT CODE		UNIT	SIZE	PART No.
ANGULAR	±1°	CUST DWG		GT502-B		mm	A3	RJMG22213XX6XXR
UNLESS OTHERWISE SPECIFIED						SCALE	SHEET	DWG No.
						NA	5 OF 5	RJMG22213XX6XXR
								REV.
								A

**Amphenol**®

Amphenol Corporation  
Amphenol Taiwan Corporation

