

ORIGINAL

This document is the property of Amphenol Corporation and is delivered on the express condition that it is not to be disclosed, reproduced or used, in whole or in part, for manufacture or sale by anyone other than Amphenol Corporation without its prior consent, and that no right is granted to disclose or to use any information in this document.

The marking on this product doesn't contain environmental hazardous materials per Material Specification SS-00259 for Sony GP compliant or per directive 2011/65/EU for RoHS compliant.



REVISIONS				
SYM	ECN No.	DESCRIPTION	DATE	APPROVED
A		RELEASE REVISION	10/29/2010	Arron Lin
B	NE-14144	ADD DATE CODE	08/01/2014	Arron Lin
C	NE-15098	ADD DIM & REMOVE " 3.0" MARK/3.30mm OPTION	08/19/2015	Arron Lin
D	NE-15133	ADD DIM 3.75(ref.) & 10.30(ref.)	11/03/2015	Arron Lin

PART NO. GSB3211XXXWEU

PLATING OPTIONS
3: 30u" GOLD

TAIL LENGTH
1: 2.80 MM

COLOR
1: BLUE
3: BLACK

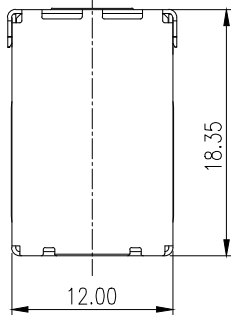
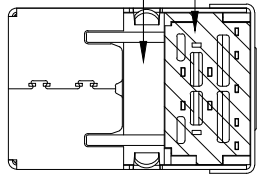
PART NO.	Dim A
GSB3211XX1WEU	2.80 MM

DATE	CODE	DESCRIPTION
6 0 1 1 5		Friday
		11 Weeks
		Year
		Reserve

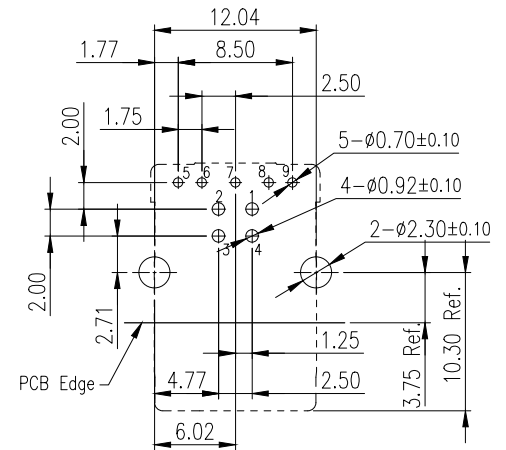
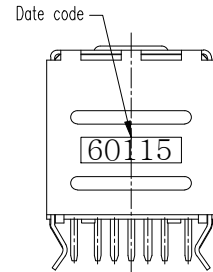
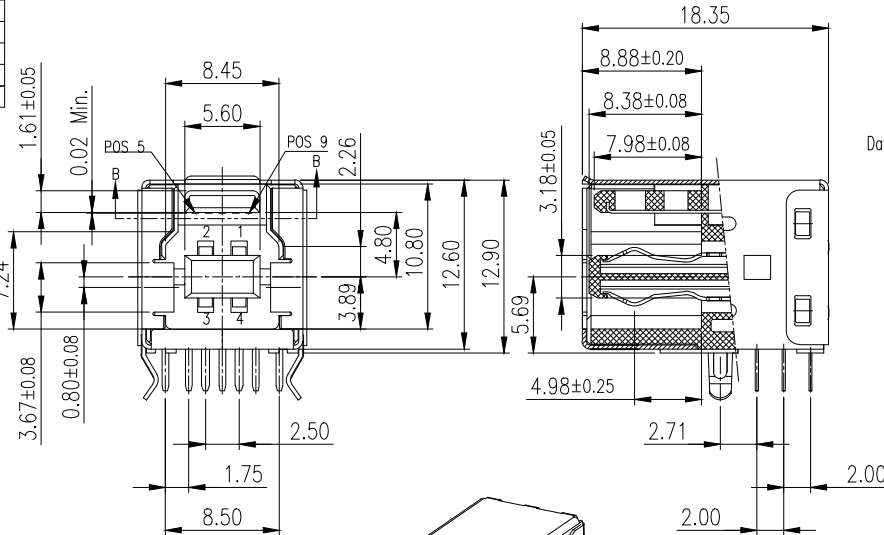
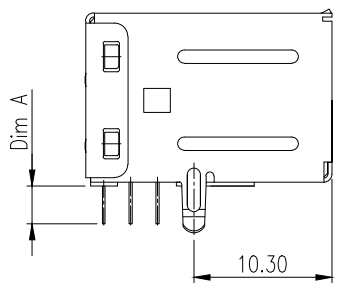
NOTES:

- MATERIAL:**
HOUSING: HIGH TEMPERATURE THERMAL PLASTIC, PBT, UL94V-0.
BAFFLE: HIGH TEMPERATURE THERMAL PLASTIC, NYLON66, UL94V-0.
TERMINAL A: COPPER ALLOY.
TERMINAL B: COPPER ALLOY.
SHELL: COPPER ALLOY.
- FINISH:**
TERMINAL A & TERMINAL B:
CONTACT AREA: SELECTIVE GOLD PLATING;
SOLDERING AREA: MATTE TIN PLATING 100 μ" THICKNESS MIN.;
UNDER PLATING: NICKEL PLATING 50 μ" THICKNESS MIN. OVERALL.
SHELL:
NICKEL PLATING 50 μ" THICKNESS MIN. OVERALL.
- THIS PRODUCT IS FOR WAVE SOLDERING ONLY.
- THIS PRODUCT DOESN'T CONTAIN ENVIRONMENTAL HAZARDOUS PER DIRECTIVE 2011/65/EU FOR RoHS COMPLIANT.
- PRODUCT SPECIFICATION REFER TO : PS-7425

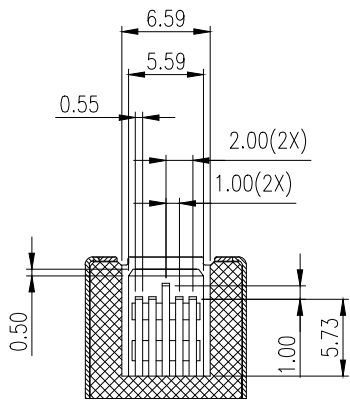
HOUSING: PBT BAFFLE: NYLON66



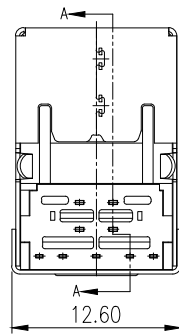
Pin Number	Signal Name	Pin Number	Signal Name
1	VBUS	6	StdB_SSTX+
2	D-	7	GND-DRAIN
3	D+	8	StdB_SSRX-
4	GND	9	StdB_SSRX+
5	StdB_SSTX-		



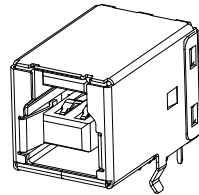
PCB Layout TOP View (T=1.60mm)



SECTION: B-B



SECTION: A-A



TOLERANCE	APPROVALS	DATE	TITLE		<h2 style="text-align: center;">Amphenol®</h2> <p style="text-align: center;">Amphenol Corporation Amphenol Taiwan Corporation</p>
X. ±0.30 X.X ±0.20 X.XX ±0.10 X.XXX	DRAWN Karen Su	11/03/2015	USB 3.0 B TYPE RECEPTACLE RIGHT ANGLE, DIP TYPE		
	CHECKED Roger Tsai	11/03/2015			
	APPROVED Arron Lin	11/03/2015			
ANGULAR ±1°	DWG TYPE CUST DWG	PROJECT CODE OTHER	UNIT mm	SIZE A3	PART No. GSB3211XXXWEU
UNLESS OTHERWISE SPECIFIED			SCALE NA	SHEET 1 OF 2	DWG No. GSB3211XXXWEU REV. D

This document is the property of Amphenol Corporation and is delivered on the express condition that it is not to be disclosed, reproduced or used, in whole or in part, for manufacture or sale by anyone other than Amphenol Corporation without its prior consent, and that no right is granted to disclose or to use any information in this document.

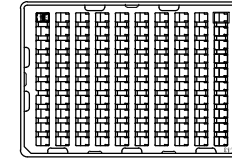
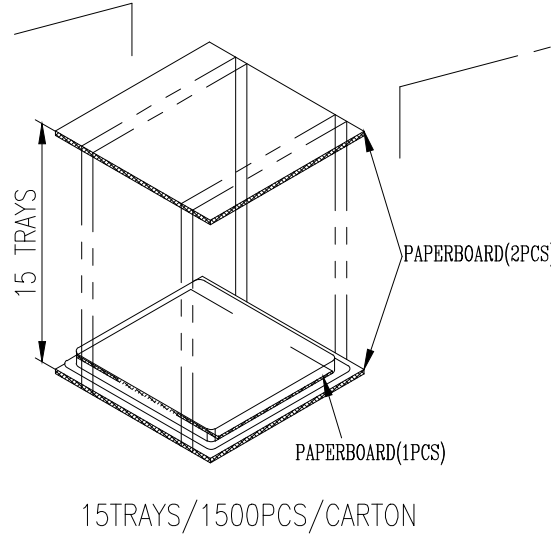
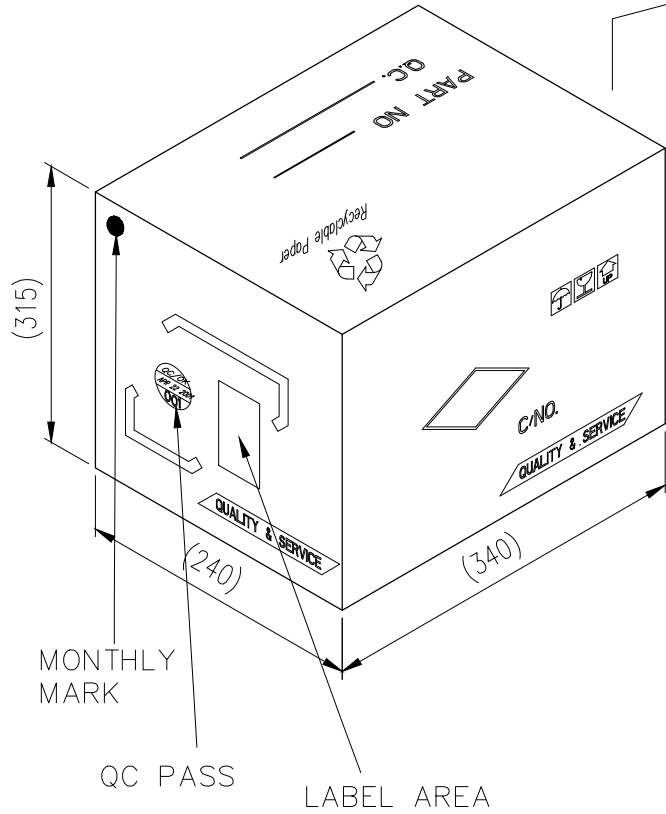
The marking on this product doesn't contain environmental hazardous materials per Material Specification SS-00259 for Sony GP compliant or per directive 2011/65/EU for RoHS compliant.



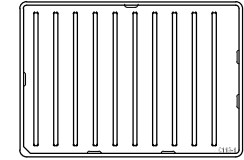
ORIGINAL



REVISIONS				
SYM	ECN No.	DESCRIPTION	DATE	APPROVED
A		RELEASE REVISION	10/29/2010	Arron Lin
B	NE-14144	ADD DATE CODE	08/01/2014	Arron Lin
C	NE-15098	ADD DIM & REMOVE " 3.0" MARK/3.30mm OPTION	08/19/2015	Arron Lin
D	NE-15133	ADD DIM 3.75(ref.) & 10.30(ref.)	11/03/2015	Arron Lin



TRAY



TRAY COVER

100PCS/TRAY

100	15	1500	8.3	7.0	GSB3211XXXWEU
PCS/ TRAY	TRAYS/ BOX	QUANTITY (PCS)	G/W (Kg)	N/W (Kg)	PART NUMBER

TOLERANCE	APPROVALS	DATE	TITLE		
X. X.X ±0.30 X.XX ±0.20 X.XXX ±0.10	DRAWN Karen Su	11/03/2015	USB 3.0 B TYPE RECEPTACLE RIGHT ANGLE, DIP TYPE		
	CHECKED Roger Tsai	11/03/2015			
ANGULAR ±1°	APPROVED Arron Lin	11/03/2015	Amphenol® Amphenol Corporation Amphenol Taiwan Corporation		
UNLESS OTHERWISE SPECIFIED	DWG TYPE CUST DWG	PROJECT CODE OTHER	UNIT mm	SIZE A3	PART No. GSB3211XXXWEU
			SCALE NA	SHEET 2 OF 2	DWG No. GSB3211XXXWEU
					REV. D