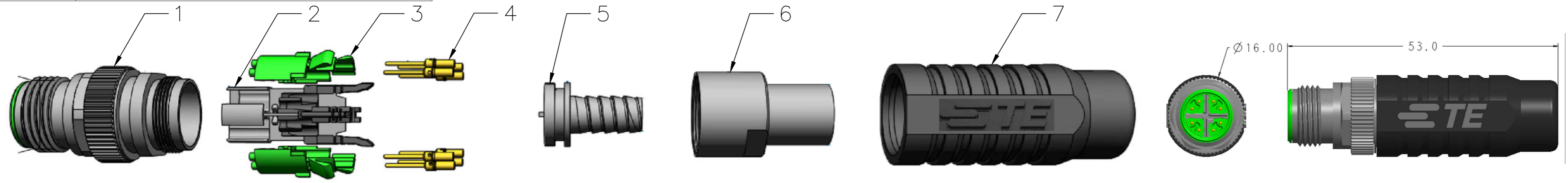


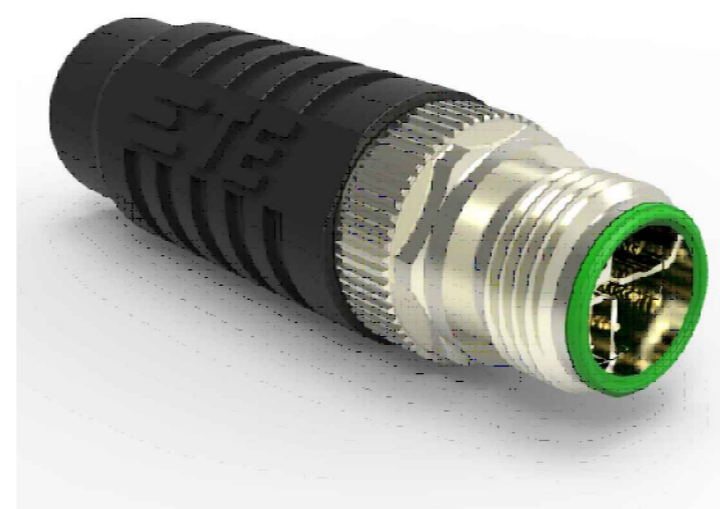
THIS DRAWING IS UNPUBLISHED.		RELEASED FOR PUBLICATION	
© COPYRIGHT - By -		ALL RIGHTS RESERVED.	
PROJECT	PRJ-14-000004825		
PART NO.	X-2315714-X		
DESCRIPTION	M12 X-CODED M-8 CRIMP CABLE MALE CONNECTOR		
CUSTOMER	GENERAL MARKET		

REVISIONS				
P	LTR	DESCRIPTION	DATE	APVD
A2		ECR-17-007049	15MAY2017	KK SE



EXPLODED VIEW

CODE	TE FG PN'S	TE DESCRIPTION	CABLE REFERENCE	AWG	HAND TOOL (TE PN'S) (COMPACT)	RECOMMENDED POSITIONER (TE PN'S) (COMPACT)	CRIMP TOOL TE PN FOR CRIMP FLANGE/SLEEVE	CRIMP INSERT TE PN'S	CABLE JACKET STRIPPING TOOL TE PN	ASSEMBLY TOOL HANDLE FOR CRIMP FLANGE TE PN'S	UNIVERSAL INSERT TE PN (ALL M12 CODES)	ASSEMBLY TOOL FRONT HOUSING AND BACK NUT TE PN
X code	1-2315714-1	M12 X-CODE M-8 CONNECTOR RADOX 8.1MM, H&S	H&S Radox Cat7 #84124806	24 AWG	TE PN : 601966-1	2-2823582-0	1-2823557-1	1-2823558-6	1-2823559-1	1-2823560-1	1-2823561-1	1-2823564-1
X code	1-2315714-2	M12 X-CODE M-8 CONNECTOR 8.4mm, TE	TE Cat 7 #2297799-1	24 AWG	TE PN : 601966-1	2-2823582-0	1-2823557-1	1-2823558-6	1-2823559-1	1-2823560-1	1-2823561-1	1-2823564-1
X code	1-2315714-3	M12 X-CODE M-8 CONNECTOR 8.8MM, LEONI	Leoni Cat 7 #307704	24 AWG	TE PN : 601966-1	2-2823582-0	1-2823557-1	1-2823558-6	1-2823559-1	1-2823560-1	1-2823561-1	1-2823564-1



ISO VIEW
M12 X-8 MALE CONNECTOR

NOTES:

- ALL DIMENSIONS ARE FOR NOMINAL REFERENCE ONLY.
- PACKAGING: 1 PIECE IN A BOX.
- THE CONNECTOR IS AS PER IEC 61076-2-109.
- TEMPERATURE RANGE: WITH CABLE BOOT -40°C TO 70°C. WITHOUT CABLE BOOT -40°C TO 85°C.
- VIBRATION & SHOCK TEST CONDUCTED AS PER IEC 61373:1999.
- FIRE PERFORMANCE CONDUCTED AS PER EN45545-2, NFF16-101 AND NFF16-102.
- THE THREAD OF THE MATING INTERLACE WITH THE COUNTERPART IS M12x1 ACCORDING TO IEC 61076-2-101.
- RECOMMENDED CRIMP INSERT & CRIMP SLEEVE: SHOULD BE VALIDATED ON CABLE USED.
- SPECIAL CRIMP FLANGE SYSTEM WITH CRIMP INSERT AND CRIMP SLEEVE SECURES THE EFFECTIVE SHIELDING OVER THE LIFETIME WITH EXTREMELY HARD CONDITIONS.
- VIBRATION AND TORSION-PROOF CABLE STRAIN RELIEF FOR ROUGH ENVIRONMENT ACHIEVED BY HEXAGONAL CRIMP OF THE CRIMP SLEEVE OF THE CRIMP FLANGE SYSTEM.
- DEGREE OF PROTECTION: IP 67 (ONLY SCREW-LOCKED).
- DATA TRANSMISSION RATE: UP TO 10Gbit/SEC ACC. TO IEC 802.3an CATEGORY 6A.
- CURRENT RATING: 0.5 A, NOMINAL VOLTAGE: 48V, CONTACT RESISTANCE: ≤ 5 MΩ, INSULATION RESISTANCE: ≥ 100 MΩ.

SL. NO.	QTY	DESCRIPTION	MATERIAL
7	1	GRIP BOOT	TPE WITH S3 & SR2 (DIN 5510-2)
6	1	BACK NUT & SLEEVE	Cu ALLOY Ni-PLATED
5	1	CRIMP INSERT	Cu ALLOY Ni-PLATED
4	8	CRIMP CONTACTS MACHINED	Cu ALLOY Ni-Au PLATED
3	4	CONTACT HOLDER (REAR)	THERMOPLAST
2	1	CONTACT HOLDER (FRONT)	THERMOPLAST
1	1	FRONT HOUSING	Cu ALLOY Ni-PLATED

THIS DRAWING IS A CONTROLLED DOCUMENT.		DWN	KIRAN K	17JAN2017	 TE Connectivity	
DIMENSIONS: mm		CHK	KIRAN K	17JAN2017		
TOLERANCES UNLESS OTHERWISE SPECIFIED: DIN ISO 2768 m		APVD	S EGBERT	17JAN2017		
0 PLC ± - 1 PLC ± - 2 PLC ± - 3 PLC ± - 4 PLC ± - ANGLES ± -		NAME	M12 X-CODED M-8 CRIMP CABLE MALE CONNECTOR			
MATERIAL	FINISH	PRODUCT SPEC	108-156001		SIZE	A2
		APPLICATION SPEC	114-156002		CAGE CODE	00779
		WEIGHT			DRAWING NO	C=2315714
		CUSTOMER DRAWING			RESTRICTED TO	-
		SCALE	NTS		SHEET	1 OF 1
		REV	A2			