

THIS IS ISSUED IN STRICT CONFIDENCE THAT IT IS NOT USED AS A BASIS FOR MANUFACTURE OR SALE AND THAT IT IS NOT COPIED, REPRINTED OR DISCLOSED TO A THIRD PARTY EITHER WHOLLY OR IN PART WITHOUT THE PRIOR WRITTEN CONSENT OF CAL TEST ELECTRONICS, INC.

- BNC MALE TO BNC MALE CABLE ASSEMBLY ON RG58C/U COAXIAL CABLE, 50Ω w/MOLDED BEND RELIEF BOOTS.
- SPECIFICATIONS:
 CONNECTOR:
 BNC MALE CRIMP, 50Ω IMPEDANCE PER MIL-C-39012.
 BODY: BRASS OR DIECAST ZINC.
 DIELECTRIC: TEFLON.
 CENTER PIN: BRASS, GOLD PLATED.

 CABLE:
 RG58C/U PER MIL-C-17
 50Ω, BLACK, Ø0.195 DIAMETER.

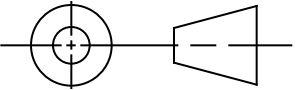
 MOLDED BOOT MATERIAL:
 PVC, BLACK. (MOLDED TO CABLE AND CONNECTOR).
- RATING:
 VOLTAGE: 500Vrms.
 IMPEDANCE: 50Ω.
 TEMPERATURE: 0° C TO +80° C.

REVISIONS			
REV.	DESCRIPTIONS	DATE	APPROVED
-	CLASS A RELEASED	10/24/02	

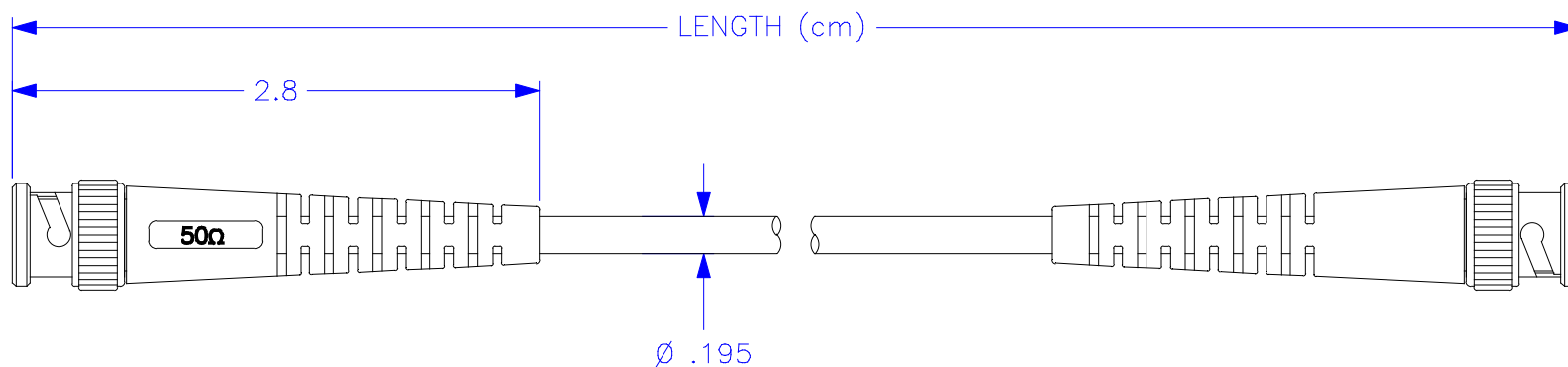
PART NUMBER

CT2942-L

└── LENGTH: (CENTIMETERS)
 STANDARDS: 25, 50, 100, 120, 150, 200, 250

THIRD ANGLE PROJECTION		UNLESS OTHERWISE SPECIFIED DIMENSIONS ARE IN INCHES TOLERANCES ARE: FRACTIONS DECIMALS ± 1/32 .XX ± .02 .XXX ± .005 DO NOT SCALE DRAWING	CONTRACT NO.		Cal Test Electronics 22820 Savi Ranch Parkway Yorba Linda, CA 92887-4604			
			APPROVALS	DATE	TITLE			
		MATERIAL	DRAWN WDH	10/20/02	CABLE ASSEMBLY, BNC MALE TO MALE, RG58C/U, 50Ω			
		FINISH	CHECKED		SIZE	CAGE CODE	DWG. NO.	REV.
NEXT ASSY	USED ON		ENGR.		A		P294200	-
APPLICATION			DESIGN ACTIVITY		SCALE	NONE		SHEET 1 OF 2

THIS IS ISSUED IN STRICT CONFIDENCE THAT IT IS NOT USED AS A BASIS FOR MANUFACTURE OR SALE AND THAT IT IS NOT COPIED, REPRINTED OR DISCLOSED TO A THIRD PARTY EITHER WHOLLY OR IN PART WITHOUT THE PRIOR WRITTEN CONSENT OF CAL TEST ELECTRONICS, INC.



DRAWN		10/20/02		SIZE	CAGE CODE	DWG. NO.	REV.
WDH				A		P294200	-
CHECKED				SCALE	1:1	SHEET	2 OF 2