

PANDUIT TOOL NO.	INSTALLS * THE FOLLOWING CABLE TIE CROSS-SECTION **	WEIGHT/PC	
		OZ	GRAMS
GS4H-E	S, HS, LH, H	15.34	435

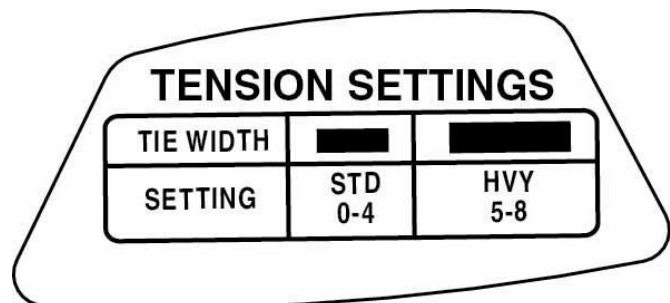
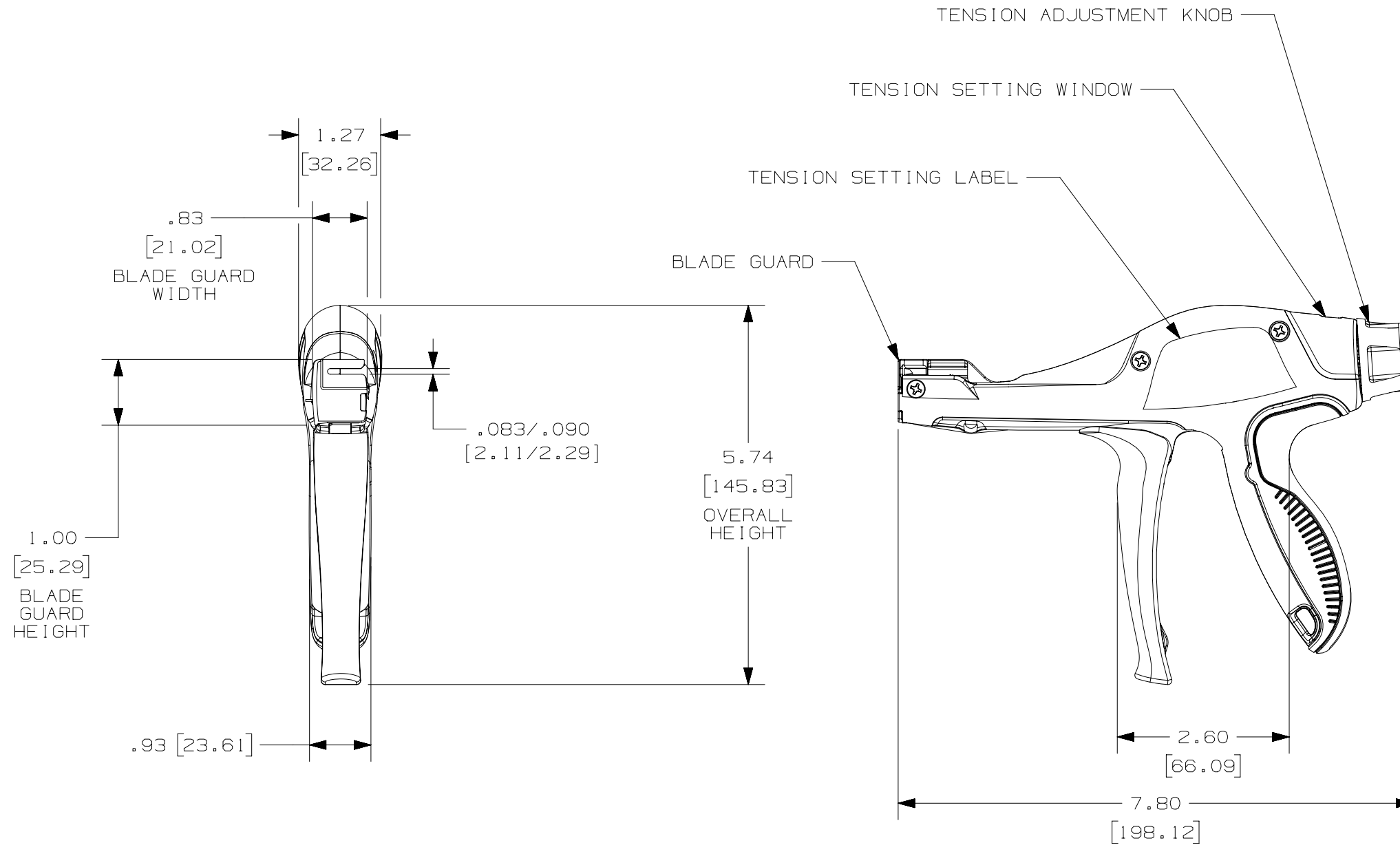
NOTES, UNLESS OTHERWISE SPECIFIED:

RoHS COMPLIANT.

\* THIS TOOL TIGHTENS CABLE TIES AND CUTS OFF EXCESS PORTION WHEN PRESET TENSION IS ATTAINED.

\*\* CABLE TIE CROSS-SECTION CODE:  
 S = STANDARD  
 HS = HEAVY STANDARD (CONTOUR-TY)  
 LH = LIGHT HEAVY  
 H = HEAVY

DIMENSIONS IN BRACKETS ARE METRIC.



REV	DATE	BY	CHK	APR	DESCRIPTION	ECN
00	1-27-15	JEH	ABJ	ABJ	RELEASED	4851

TITLE		CD, GS4H-E	
ITEM REVISION NAME		Customer/Military Drawing	
DATASET FILE NAME		R27578AA/00	
DATASET FILE NAME		R27578AA_DS_WH27578B01/00A	
UNLESS OTHERWISE SPECIFIED, DIMENSIONAL TOLERANCES ARE: IN [mm]		MATERIAL:	
.x ± .1 [2.54]		.xxx ± .005 [.127]	
.xx ± .01 [.25]		ANGLES ± 5°	
THIRD ANGLE PROJECTION		DRAWING NUMBER:	
THIRD ANGLE PROJECTION		WH27578B01	
DRAWN BY	DATE	CHK	SCALE
JEH	1-26-15	ABJ	1:2
SHT 1 OF 1			SIZE
SHT 1 OF 1			B