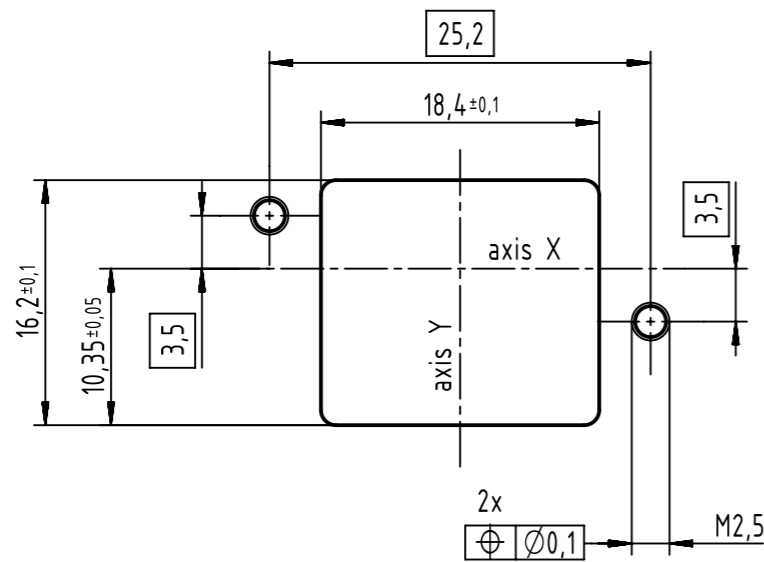
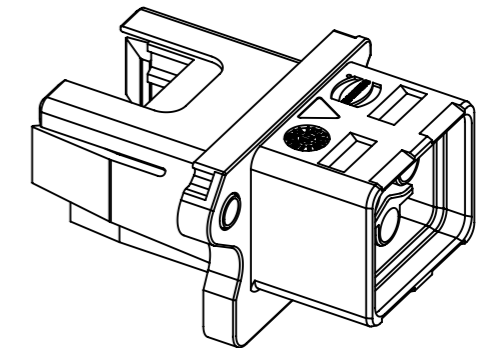
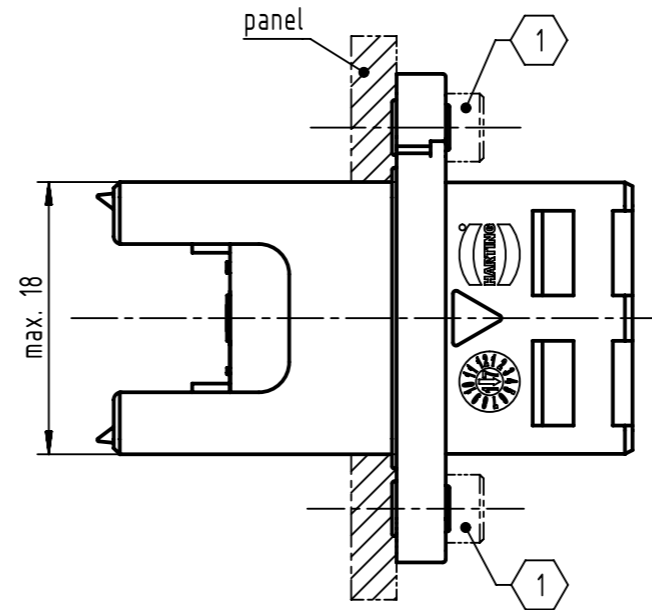


panel cutting



connector pitch on panel:
axis X = 27mm and axis Y = 21mm

panel thickness = max. 5.5mm



3 pieces female crimp contact for AWG 14/16 (1.5 mm²)
are content of set packaging

further information see: DS 09466100800

1 2x M2.5; screws acc. to ISO 4762;
please order separately; bolting torque 0.3Nm - 0.5Nm

	All rights reserved Department EC PD - DE HARTING Electronics GmbH D-32339 Espelkamp	All Dimensions in mm Original Size DIN A3	Scale 2:1	Free size tol.	Ref. Sub.
		Created by ZWAHR	Inspected by ELLERMANN	Standardisation HOFFMANN	Date 2018-01-30
Title HARTING PushPull V4 Compact Housing 250V/16A					Doc-Key / ECM-Nr. 100671798/UGD/000/C 500000130740
Type TB		Number 09462453420			Rev. C
					Page 1/1