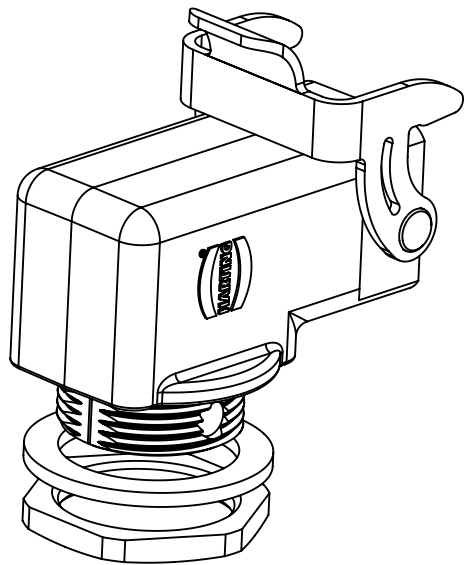
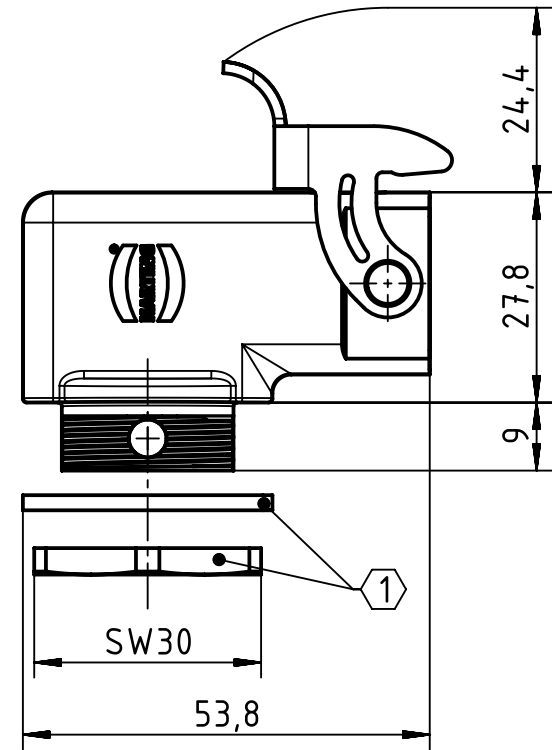
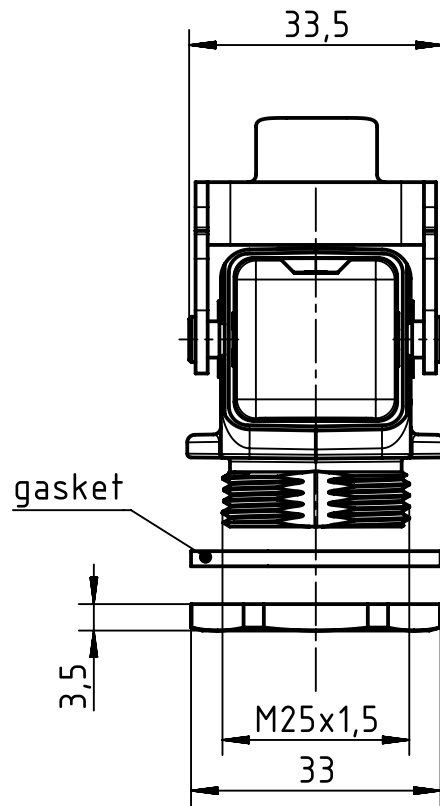
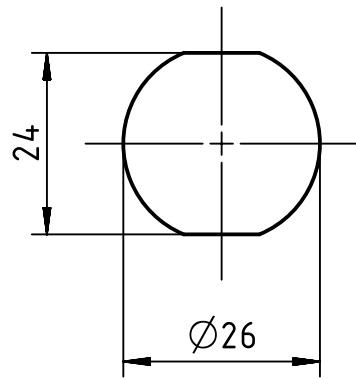


1 2 3 4 5 6

A
B
C
D

1:1
panel cut out



① enclosed separately

	All Dimensions in mm Original Size DIN A4		Scale 1:1	Free size tol.		Ref.
						Sub.
	All rights reserved Department EL PD - DE		Created by MOELLERLI	Inspected by BEISCHER	Standardisation TIEMANNA	Date 2017-11-06
	HARTING Electric GmbH & Co. KG D-32339 Espelkamp		Title Han 3A-Base angled-M25			State Final Release
			Type TB	Number 19 20 003 1165		Rev. B
						Page 1/1