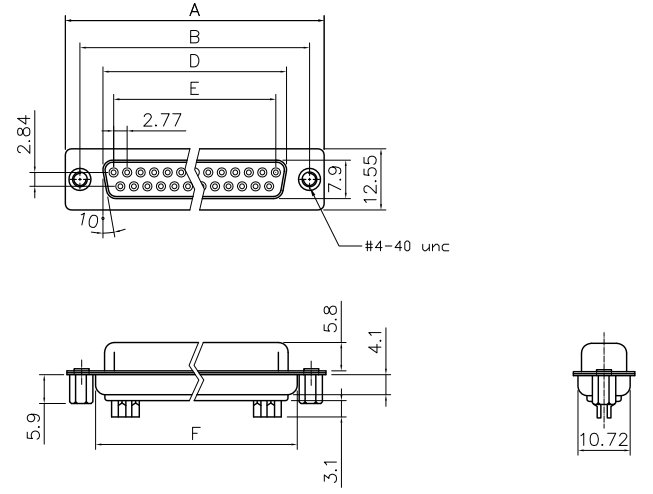


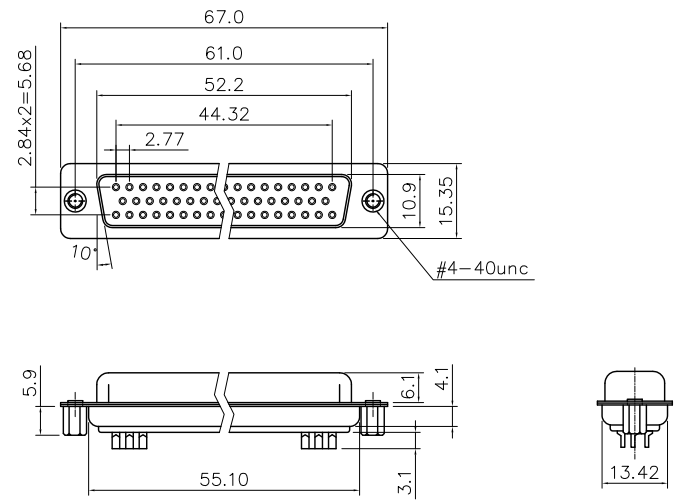
This document is the property of Amphenol Corporation and is delivered on the express condition that it is not to be disclosed, reproduced or used, in whole or in part, for manufacture or sale by anyone other than Amphenol Corporation without its prior consent, & that no right is granted to disclose or to use any information in this document.

Customer drawing



Dimensions

Positions	A	B	D	E	F
9	30.81	24.99	16.33	11.08	19.20
15	39.20	33.30	24.70	19.39	27.70
25	53.05	47.04	38.40	33.24	41.10
37	69.40	63.50	54.80	49.86	57.30



50 Positions



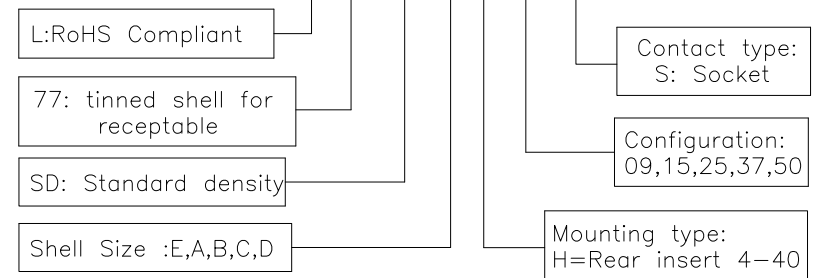
REVISIONS				
SYM	ECN	DESCRIPTION	DATE	APPROVED
1	HK--	First Release Drawing	01/09/13	IP
2	HK--	Update the Drawing	04/29/14	IP

D-SUB TECHNICAL DATA

SHELL : Steel, 100u" Tin over 50u" nickel over 50u" min Copper
 BODY : Glass-Filled Thermoplastic PBT, UL94V-0
 CONTACTS : Copper Alloy
 Gold flash over 50u" nickel on mating area
 100u" tin over 50u" nickel on solder area
 REAR NUT: Brass, Nickel Plated
 ELECTRICAL : Voltage rating 250 VAC/RMS 60HZ
 Current Rating 3 AMP
 Withstanding Voltage 1000 VAC/RMS 60HZ for 1 minute
 Insulation resistance >1000 M Ohms
 Contact resistance 20 mOhms
 MARKING : Amphenol...(Series No.)
 Commercial reference
 Manufacturing date

PRODUCT CODE

L 77 SD X H XX S



UNLESS OTHERWISE SPECIFIED TOLERANCES		APPROVAL		DATE	Amphenol Amphenol East Asia Limited
U.S.	METRIC	DRAWN	Felix Liu	04/29/14	
.X +/-	0.38	CHECKED	Tony Tang	04/29/14	TITLE Stamped and formed contact,SD series
.XX +/-	0.25	CHECKED			
FRACTIONS +/-	0.13	DRAWING FILE :			SIZE DRAWING NO.
ANGLES X° +/-	3°	ANGLE OF PROJECTION			L77SDXHXXS
	1.0°	FOR MATERIALS AND FINISHES SEE NOTES			REV.
REMOVE SHARP EDGES		U.S. INCHES			2
DIMENSIONS		METRIC MM			SCALE NONE
		SHEET 1 OF 1			