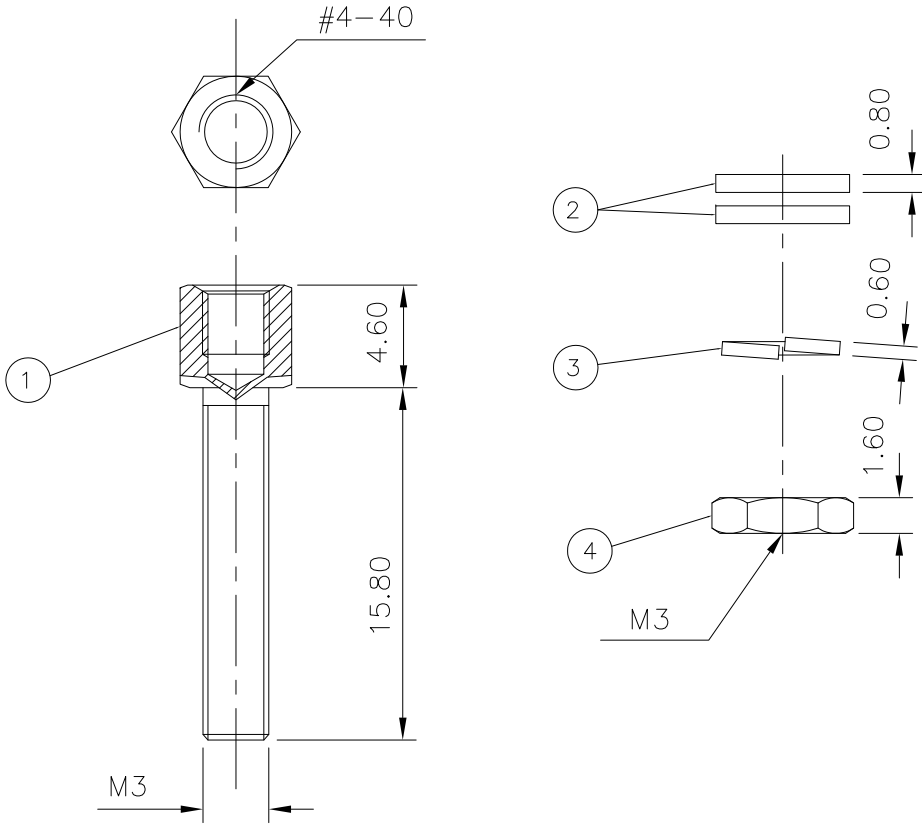


This document is the property of Amphenol Corporation and is delivered on the express condition that it is not to be disclosed, reproduced or used, in whole or in part, for manufacture or sale by anyone other than Amphenol Corporation without its prior consent, & that no right is granted to disclose or to use any information in this document.

Customer drawing



- ① SCREW
- ② WASHERS
- ③ LOCK WASHER
- ④ NUT



REVISIONS				
SYM	ECN	DESCRIPTION	DATE	APPROVED
1	HK--	First Release Drawing	12/10/08	IP

D-SUB TECHNICAL DATA

MATERIAL:

Screwlock: Steel,100u" min tin over 50u" min nickel.
 Washer: Steel,100u" min tin over 50u" min nickel.
 Lock washer:Steel,100u" min tin over 50u" min nickel.
 Nut: Steel,100u" min tin over 50u" min nickel.

PACKAGE:

delivered separately
 1 P/N = 10sets

MARKING:

Amphenol...(Series No.)
 Commercial reference
 Manufacturing date

UNLESS OTHERWISE SPECIFIED		APPROVAL		DATE	Amphenol
TOLERANCES		DRAWN	Christine.cus	12/10/08	
U.S. METRIC		CHECKED	Isk.wang	12/10/08	
		CHECKED			
.X +/- 0.50		DRAWING FILE :			TITLE Accessory, screwlock with nut and washes
.XX +/- 0.30		ANGLE OF PROJECTION			
.XXX +/- 0.20		DIMENSIONS			SIZE DRAWING NO.
FRACTIONS +/- 2'		U.S. INCHES			A4 C L17D204182SM3EX
ANGLES +/-		METRIC MM			SCALE NONE
FOR MATERIALS AND FINISHES SEE NOTES		REMOVE SHARP EDGES			REV. 1
		DIMENSIONS			SHEET 1 OF 1
		U.S. INCHES			
		METRIC MM			