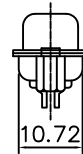
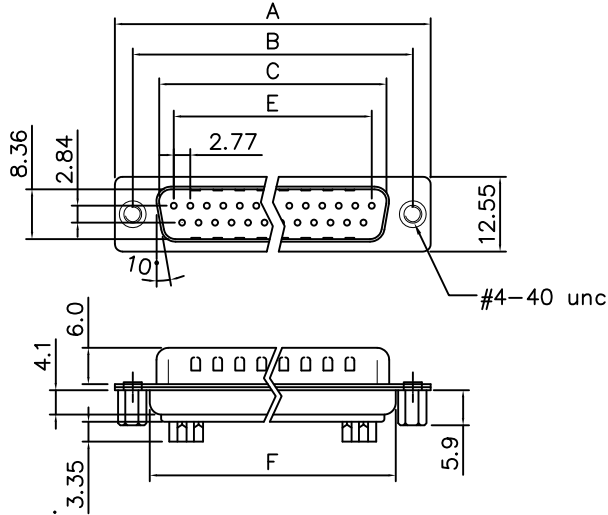


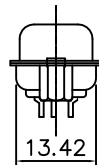
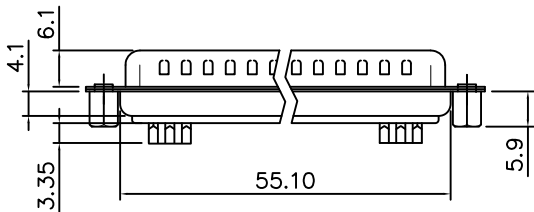
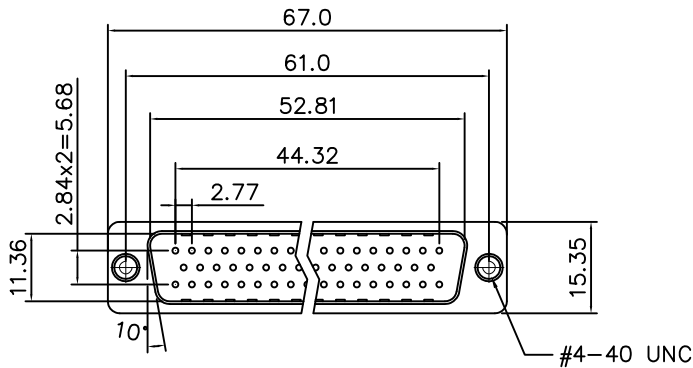
This document is the property of Amphenol Corporation and is delivered on the express condition that it is not to be disclosed, reproduced or used, in whole or in part, for manufacture or sale by anyone other than Amphenol Corporation without its prior consent, & that no right is granted to disclose or to use any information in this document.

Customer drawing



Dimensions

Positions	A	B	C	E	F
9	30.81	24.99	16.92	11.08	19.20
15	39.20	33.30	25.25	19.39	27.70
25	53.04	47.04	38.96	33.24	41.10
37	69.40	63.50	55.42	49.86	57.30



50 Positions

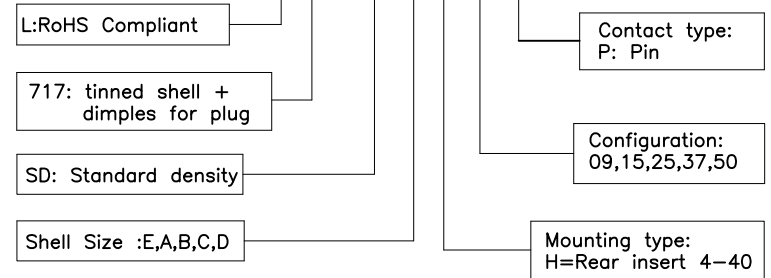
REVISIONS				
SYM	ECN	DESCRIPTION	DATE	APPROVED
1	HK--	First Release Drawing	06/10/09	IP
2	HK--	Update The Drawing	07/21/14	IP

D-SUB TECHNICAL DATA

SHELL : Steel, 100u" Tin Over 50u" min nickel over 50u" min Copper
 BODY : Glass-Filled Thermoplastic PBT, UL94V-0
 CONTACTS : Copper alloy
 Gold flash over 50u" nickel on mating area
 100u" tin over 50u" nickel on solder area
 REAR NUT: Brass, Nickel Plated
 ELECTRICAL : Voltage rating 250 VAC/RMS
 Current Rating 3 AMP
 Withstanding Voltage >1000 VAC/RMS
 Insulation resistance >1000 M Ohms
 Contact resistance 20 mOhms max
 MARKING : Amphenol...(Series No.)
 Commercial reference
 Manufacturing date

PRODUCT CODE

L 717 SD X H XX P



UNLESS OTHERWISE SPECIFIED TOLERANCES		APPROVAL		DATE
U.S.	METRIC	DRAWN	Checked	07/21/14
.X +/-	0.50	Felix Liu		
.XX +/-	0.30			
.XXX +/-	0.20	Checked Tony Tang		07/21/14
FRACTIONS +/-	5'	CHECKED		
ANGLES +/-				
FOR MATERIALS AND FINISHES SEE NOTES		DRAWING FILE :		
REMOVE SHARP EDGES		ANGLE OF PROJECTION		
DIMENSIONS				
U.S.	INCHES			
METRIC	MM			

Amphenol		Amphenol East Asia Limited	
TITLE Stamped and formed contact,SD series			
SIZE	DRAWING NO.	REV.	
A4	L717SDXHXXP	2	
SCALE	NONE	SHEET 1 OF 1	