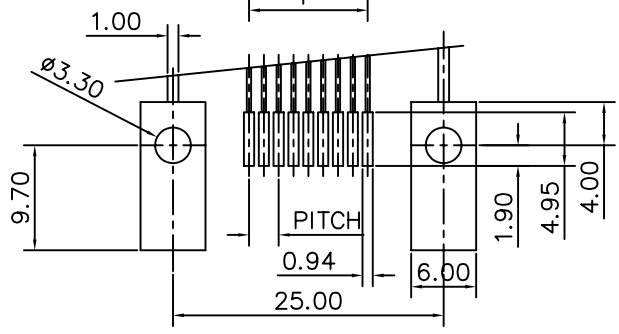
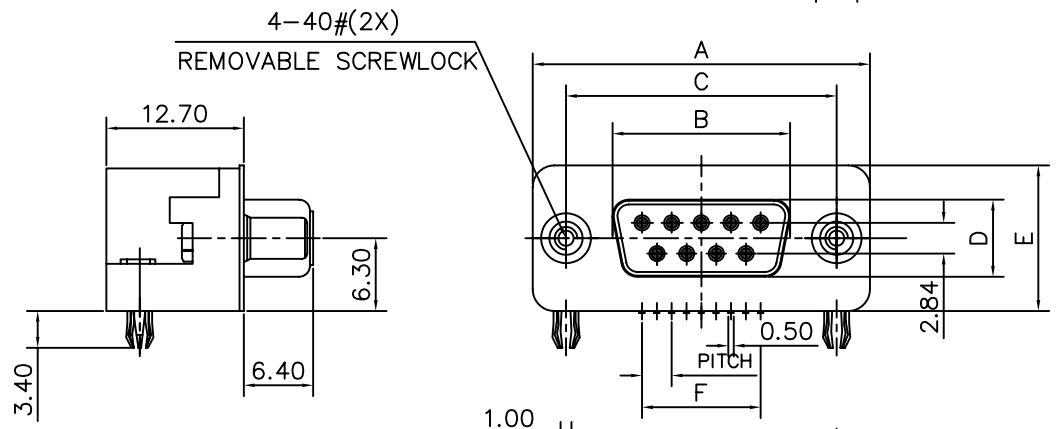
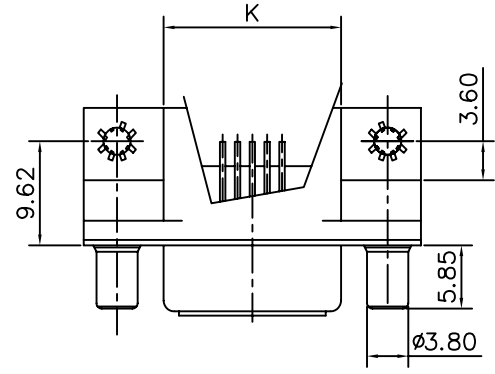


A
B
C
D
E

TECHNICAL DATA

D-SUBMINIATURE CONNECTORS

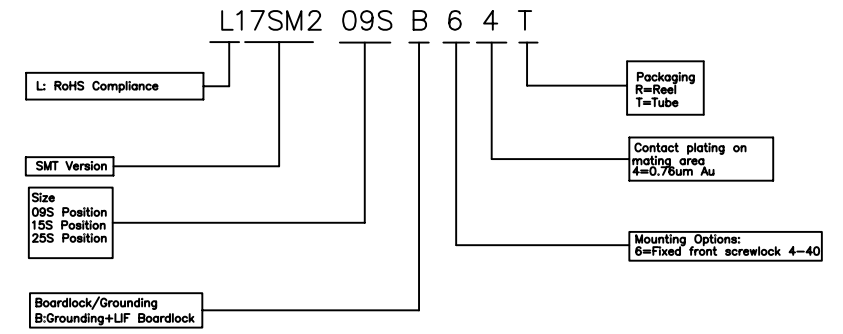
SHELL : Steel
 Finish : Tinned
 BODY : Glass filled thermoplastic.
 Flame retardant to UL94 V-0
 Color : Black
 CONTACTS : stamped phosphor bronze
 Finish of contact mating area:gold over nickel
 Non-contact area: 100u" tinned plating over nickel
 SCREWLOCKS: Brass with tin plating on nickel
 BOARDLOCKS: Tin plated over nickel,insertion force<800g/pcs
 Grounding: Grounding strap:Brass with tin plated over nickel
 ELECTRICAL : Voltage rating 300 V Rms to 50 Hz
 Nominal current 3.0 A
 Withstanding Voltage >1000 V Rms to 50 Hz
 Contact resistance <20 mOhms max. at rated current(measured at the two extreme opposite parts of the contact)
 Insulator resistance >5000 M Ohms
 CLIMATIC : Temperature range -55°C up to 155°C
 Damp heat 56 days(40°C-95% HR)
 Other climatic specification in accordance with NF C93-425 Sheet HE507
 MECHANICAL : Insertion force per contact <3.4N.
 Extraction force per contact 0.4N Min..(Size 20)
 Mating and unmating force size E 30N Max.3.0 N min.
 MARKING : Amphenol...(Series No.)
 Commercial reference
 Manufacturing date



RECOMMENDED P.C.B LAYOUT



PRODUCT CODE



DIM.S	A	B	C	D	E	PITCH	F	K
SHELL	+0.05 -0.10	+0.00 -0.20	+0.10 -0.10	+0.00 -0.25	+0.20 -0.20			
E	31.15	16.40	25.00	8.03	12.40	2.74	10.97	16.30
A	39.40	24.80	33.30	8.03	12.40	2.74	19.20	24.60
B	53.30	38.50	47.70	8.03	12.40	2.76	33.12	38.30

Amphenol

TOL. GEN. : +/-0.30

VOLUME:

AREA:

PLATING:

TREATMENT:

MATERIAL:

SERIES	SM2	drawing	Lik	06/08'06	Lik	B
NUMBER SERIES	SM2	origin drawing	Lik	04/25'06	Lik	A
DATE	2006.04.25	CUSTOMER	MODIFICATIONS	DRAW	DATE	APPROVE
DESIGNATION		PART NUMBER		IND.		
D-SUB CONNECOTR		L17SM209SB64T				