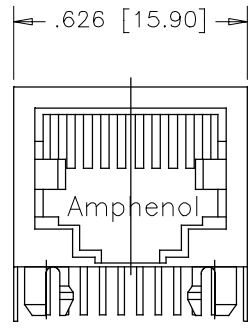
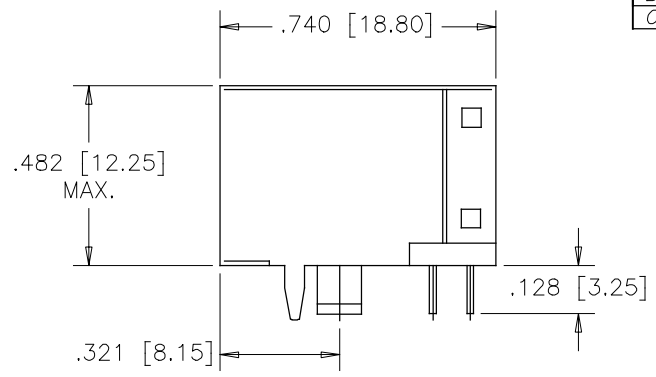


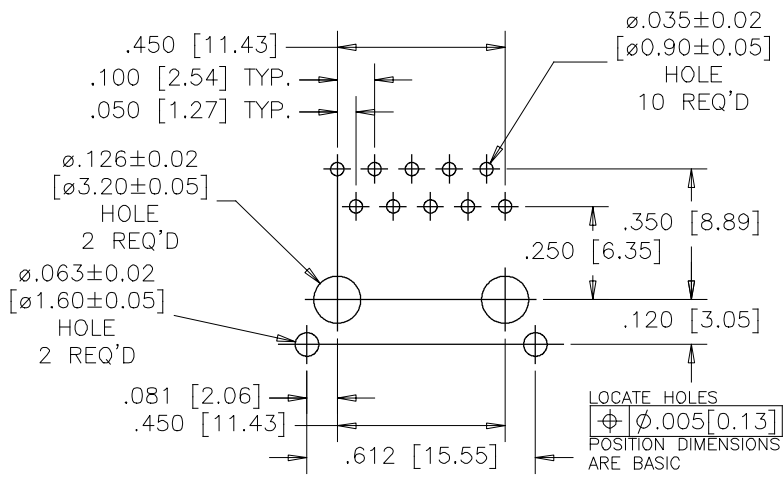
REVISIONS			
REV	DESCRIPTION, ECN, EAR NO.	DATE	APP'D
A	PROPOSAL	NOV 14/05	L.CHAN
B	PROPOSAL	OCT 09/06	L.CHAN
C	ADD UP AMPHENOL LOGO ACCORDING TO THE PRODUCTION	FEB 08/17	L.CHAN



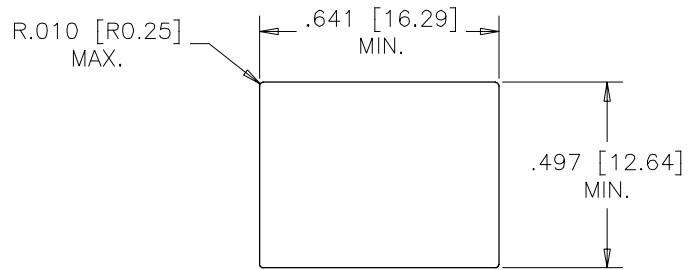
FRONT VIEW



SIDE VIEW



RECOMMENDED P.C.B. LAYOUT
(COMPONENT SIDE OF BOARD)



RECOMMENDED PANEL CUTOUT

NOTE:

HOUSING AND INSERT: ENGINEERING THERMOPLASTIC, FLAMMABILITY UL94V-0, COLOUR: BLACK

CONTACTS: PHOSPHOR BRONZE. GOLD PLATING: REFER TO AMPHENOL PART NUMBER SYSTEM FOR PLATING OPTIONS. 50 u" [1.27 MICRONS] MIN. NICKEL UNDERPLATE 100 u" [2.54 MICRONS] MIN. MATTE TIN ON CONTACT TAILS.

SHIELD: COPPER ALLOY PLATING: NICKEL OVER COPPER UNDERPLATED.

RECOMMENDED SOLDERING TEMPERATURE: WAVE SOLDERING OR REFLOW SOLDERING AT 240°C MAX. FOR 5 SEC MAX.

AMPHENOL PART NUMBER: RJE05-1AA-1X10

GOLD PLATING
1 = 6 uINCH
2 = 15 uINCH
3 = 30 uINCH
4 = 50 uINCH

UNLESS SPECIFIED OTHERWISE		DRAWN <i>Chigow Xu</i>	DATE <i>02/09/06</i>	Amphenol Canada Corp. www.amphenolcanada.com
PRIMARY UNITS INCH		CHECKED <i>L.CHAN</i>	DATE <i>02/09/06</i>	
SECONDARY MILLIMETER		M.E. APP'D		TITLE
REFERENCE IN PARENTHESES		Q.A. APP'D		RJE05 SERIES MODULAR JACK, 10 POSITION, 10 CONTACTS, SHIELDED -RoHS COPLIANT
GENERAL TOLERANCES		DWG APPR.		DWG. NO.
1 DECIMAL PLACE ±0.30		ENG. REL. NO.		P-RJE05-1AA-1X10
2 DECIMAL PLACES ±0.25		REF.		REV
3 DECIMAL PLACES ±0.20		THIRD ANGLE PROJECTION	DO NOT SCALE DRAWING	C
ANGULAR DEGREES ±1.0°				CODE ID NO. 03554 DWG SIZE: C SCALE: N/A SHEET 1 OF 1