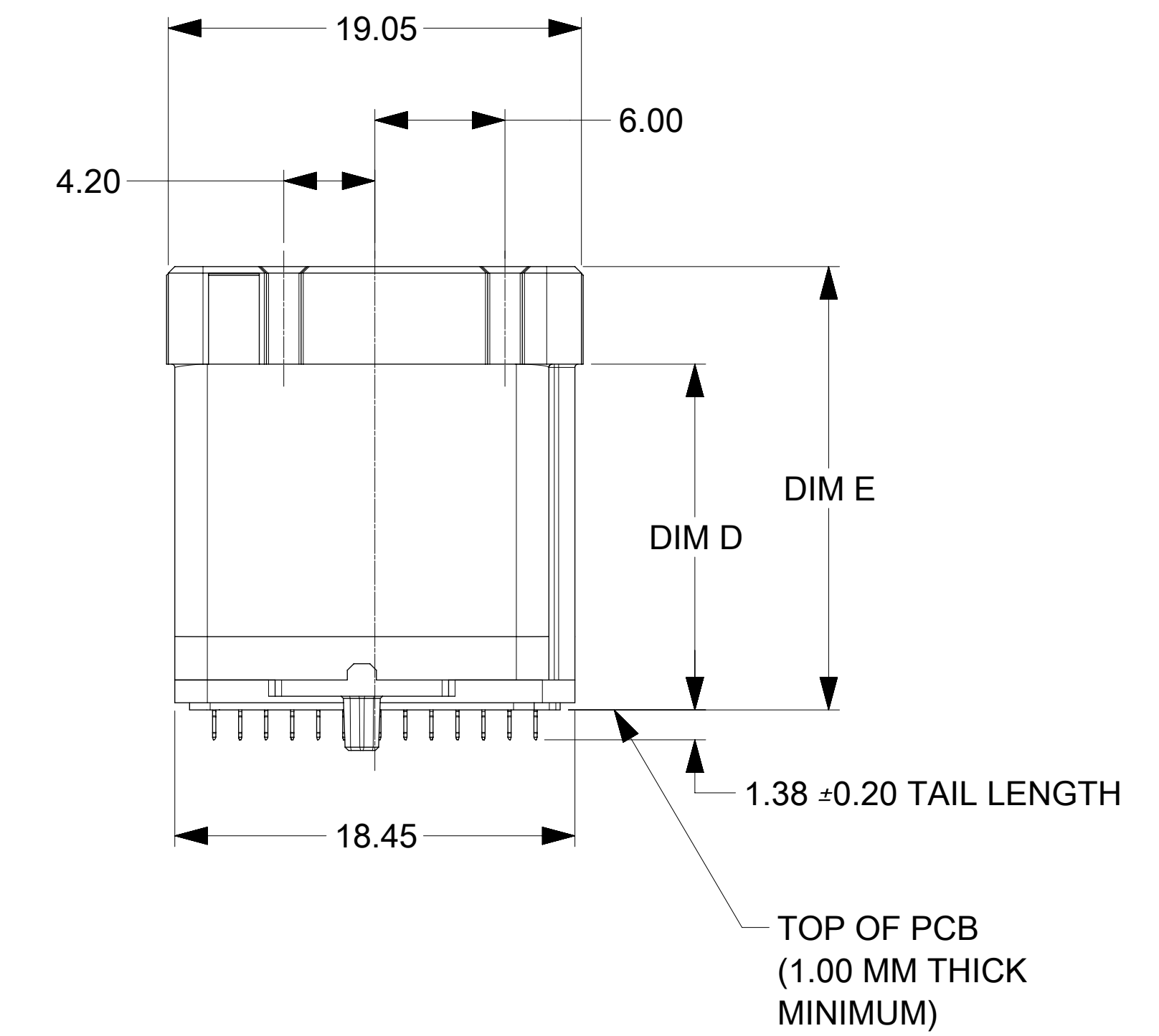
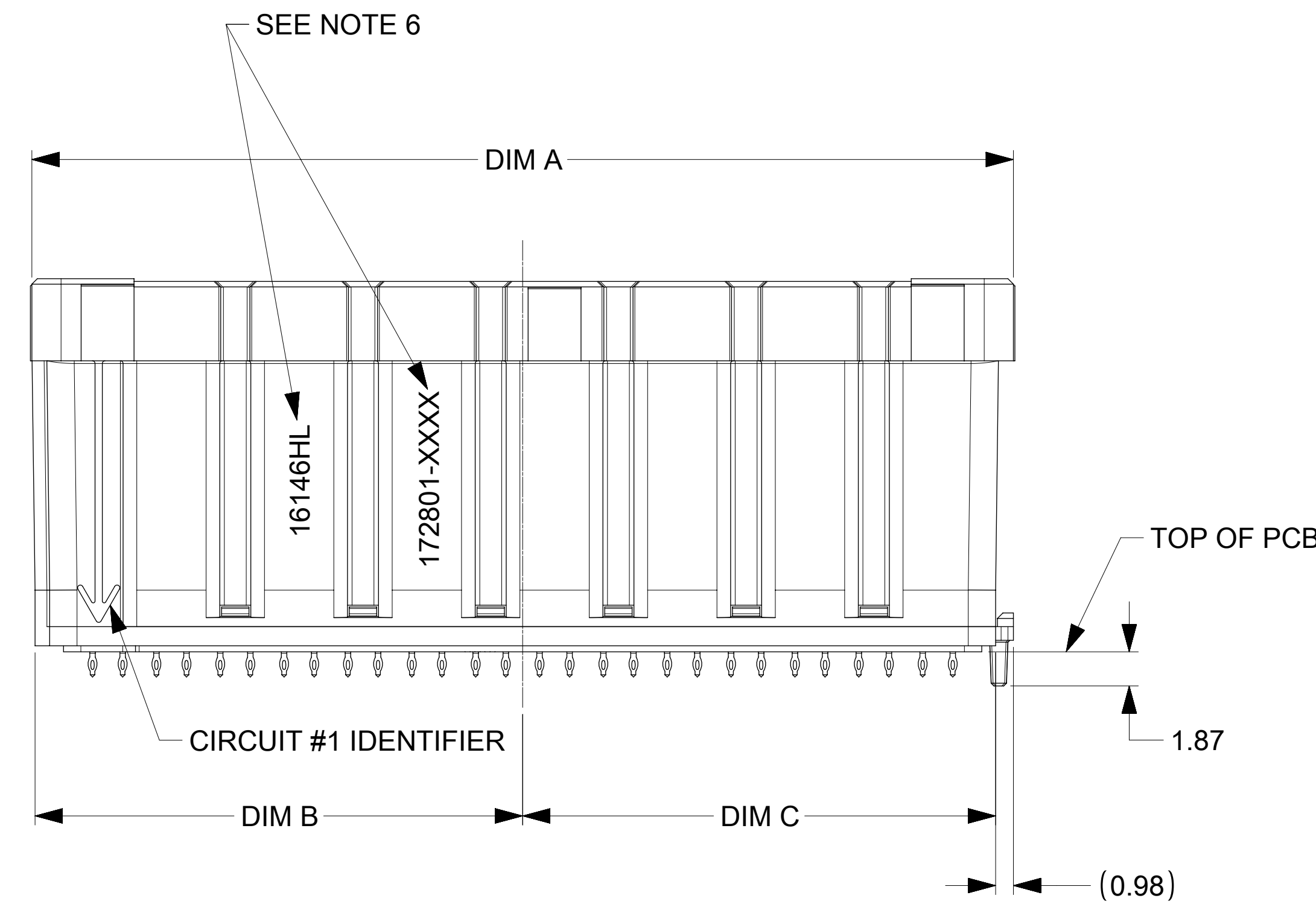
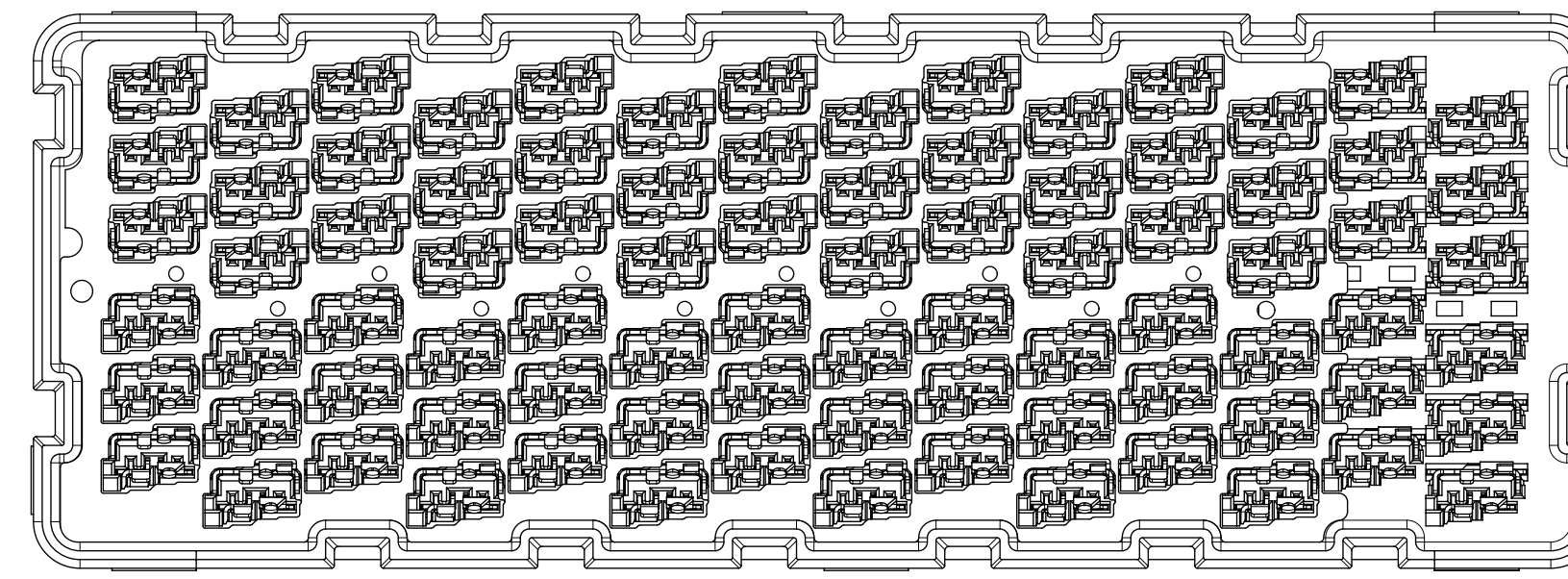


# 172801-0009 PLUG ASSEMBLY SHOWN

**NOTES:**

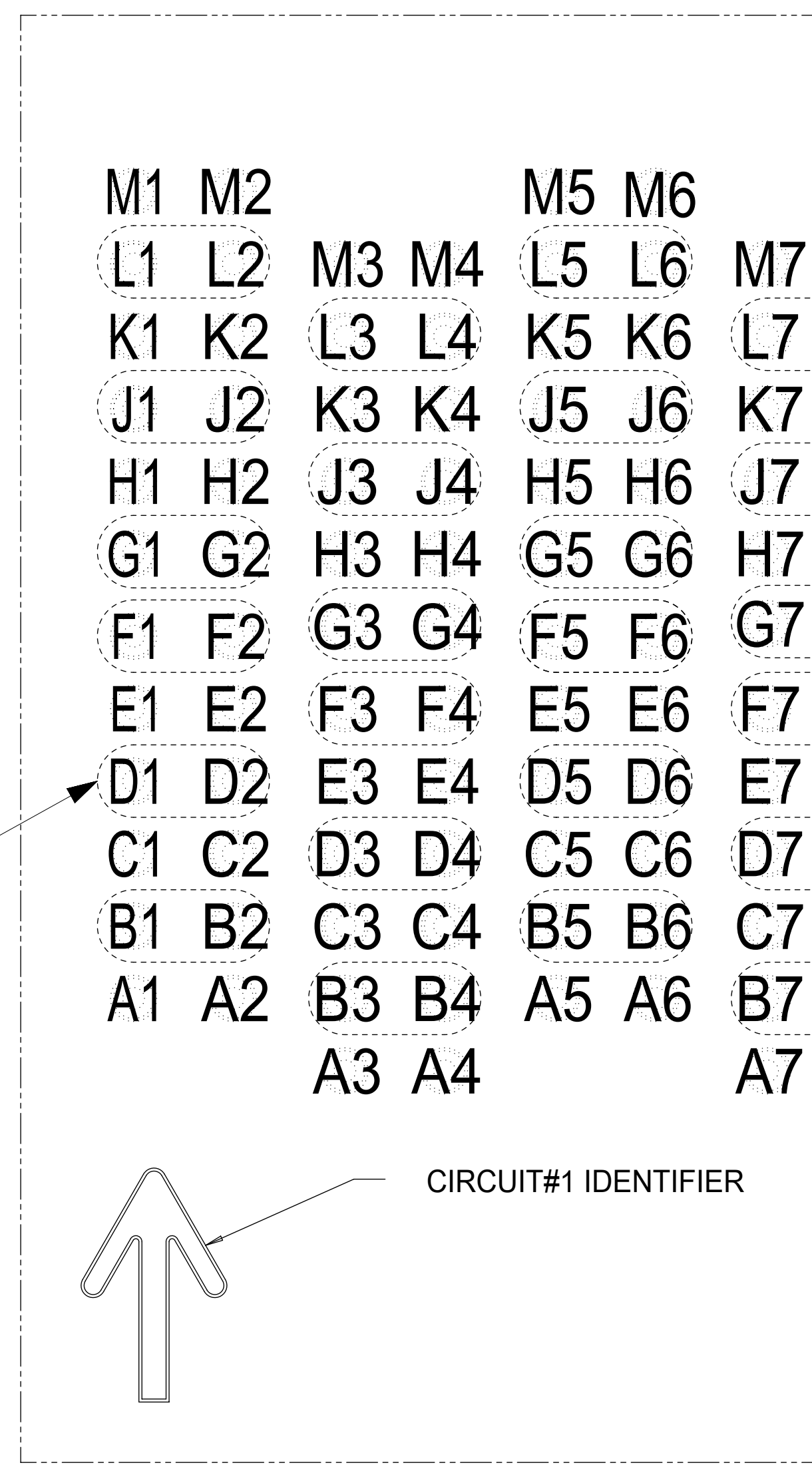
- HOUSING MATERIAL: LCP, GLASS FILLED, UL 94V-0, BLACK  
CONTACT MATERIAL: HIGH PERFORMANCE COPPER ALLOY
- FINISH:  
CONTACTS: SELECTIVE GOLD: 30 MICRO INCHES MINIMUM ON CONTACT AREA  
SELECTIVE TIN ON COMPLIANT PIN OVER 50 MICRO INCHES MINIMUM NICKEL OVERALL
- PRODUCT SPECIFICATION: PS-172801-0001
- PACKAGING SPECIFICATION: PK-173358-0001
- APPLICATION SPECIFICATION: AS-172801-0001
- PARTS TO BE MARKED WITH THE PART NUMBER AND DATE CODE.  
FORMAT IS 2 DIGIT YEAR, 3 DIGIT DAY, 1 DIGIT HOUR (IF NEEDED), AND ONE DIGIT ASSEMBLY LINE (IF NEEDED) BY MARKING THE HOUSING AS SHOWN.
- THIS PART CONFORMS TO CLASS B REQUIREMENTS OF MOLEX COSMETIC SPEC. PS-45499-002



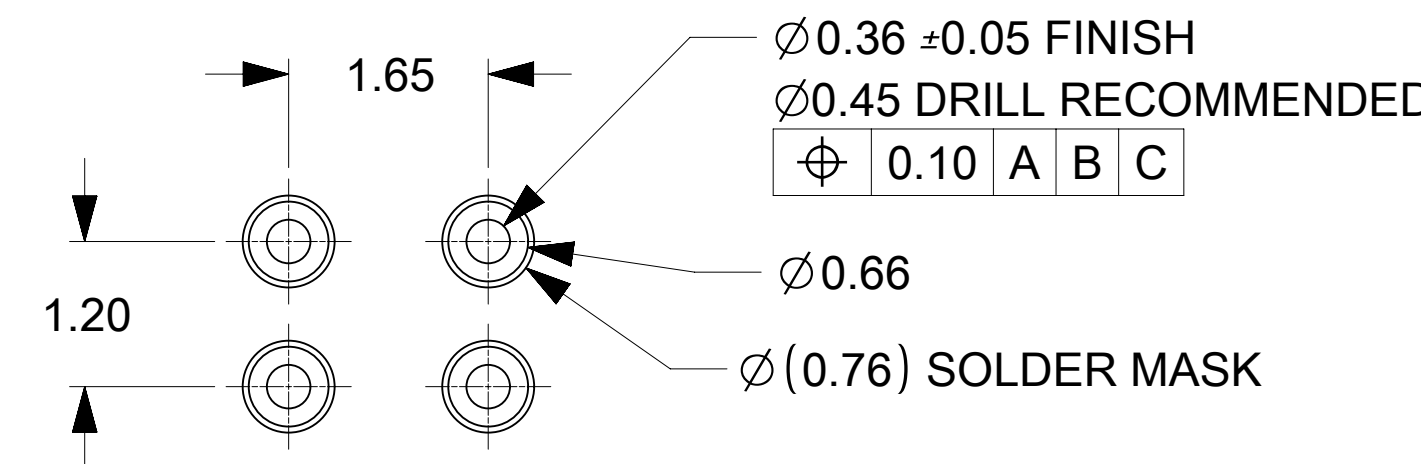
MATERIAL NUMBER	HEIGHT	NO. OF COLUMNS	DIM A	DIM B	DIM C	DIM D	DIM E	LOCATING PEG	TOOLED	MATES TO
1728010001	13.5	14	53.80	26.73	25.93	10.95	15.45	NO	YES	1728320001
1728010005	13.5	10	39.80	19.73	18.93	10.95	15.45	PRESENT	YES	1728320005
1728010006	21.5	10	39.80	19.73	18.93	18.95	23.45	PRESENT	YES	1728320005
1728010009	18.5	14	53.80	26.73	25.93	15.95	20.45	PRESENT	YES	1728320009
1728010013	18.5	16	60.80	30.23	29.43	15.95	20.45	PRESENT	YES	1728320013
1728010017	13.5	8	32.80	16.23	15.43	10.95	15.45	PRESENT	NO	1728320017
1728010018	21.5	12	46.80	23.23	22.43	18.95	23.45	PRESENT	NO	1728320018 & 1728320019
1728010021	21.5	20	74.80	37.23	36.43	18.95	23.45	PRESENT	NO	1728320024
1728010022	21.5	25	92.30	45.98	45.18	18.95	23.45	PRESENT	NO	1728320025
1728010035	18.5	16	60.80	30.23	29.43	15.95	20.45	PRESENT	YES	1728320034
1728010037	18.5	14	53.80	26.73	25.93	15.95	20.45	PRESENT	YES	1728320036

SYMBOLS	THIS DRAWING CONTAINS INFORMATION THAT IS PROPRIETARY TO MOLEX ELECTRONIC TECHNOLOGIES, LLC AND SHOULD NOT BE USED WITHOUT WRITTEN PERMISSION					
	DIMENSION UNITS	SCALE				
▽ = 0	mm	5:1	DIM 6.83 WAS DIM "F" ON SH 2 ZONE N2		PRODUCT CUSTOMER DRAWING	
▽ = 0	GENERAL TOLERANCES (UNLESS SPECIFIED)		EC NO: 170818		DOCUMENT NUMBER	
▽ = 0	ANGULAR TOL ± 0.5°		DRWN: TPREMO 2018/01/15		DOC TYPE   DOC PART   REVISION	
▽ = 0	4 PLACES ±		CHK'D: KPELOZA 2018/01/15		1728010002   PSD   000   B	
▽ = 0	3 PLACES ±		APPR: KLANG 2018/01/17		MATERIAL NUMBER	
▽ = 0	2 PLACES ± 0.15		INITIAL REVISION:		CUSTOMER	
▽ = 0	1 PLACE ±		DRWN: GMINNICK 2017/04/19		GENERAL MARKET	
▽ = 0	0 PLACES ±		APPR: KLANG 2017/07/31		SHEET NUMBER	
▽ = 0	DRAFT WHERE APPLICABLE MUST REMAIN WITHIN DIMENSIONS		THIRD ANGLE PROJECTION	DRAWING	SERIES	172801
▽ = 0				E-SIZE	SEE TABLE	1 OF 2

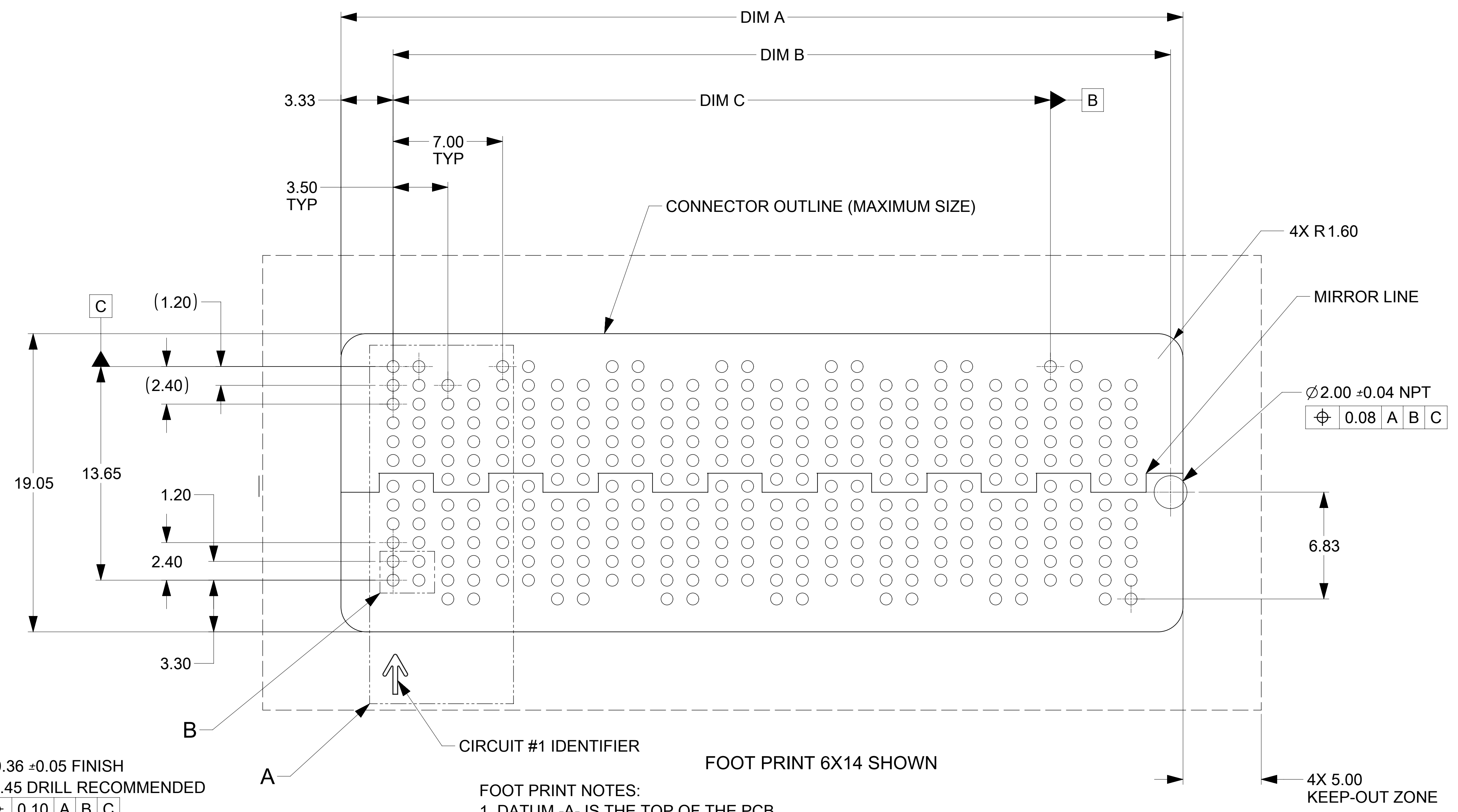
CIRCLED VIAS ARE CONNECTED TO THE SAME SHIELD TERMINAL. ALSO, ALL SHIELD VIAS ARE ELECTRICALLY INTERCONNECTED INSIDE THE CONNECTOR. (SEE CHART FOR EXCEPTIONS FOR POWER TERMINALS\*. THE LOW SPEED TRIADS SHIELD TERMINALS MUST BE USED FOR GROUNDS ONLY AND MAY BE CONNECTED TO OTHER SHIELDS IN THIS CONNECTOR EXCEPT THE ELECTRICALLY ISOLATED SHIELDS).



DETAIL A  
SCALE 12:1  
NUMBERING SCHEME



DETAIL B  
SCALE 16:1



FOOT PRINT NOTES:  
1. DATUM -A- IS THE TOP OF THE PCB  
2. ALL DIMENSIONS ARE BASIC

MATERIAL NUMBER	NO. OF COLUMNS	DIM A	DIM B	DIM C	ELECTRICALLY ISOLATED SHIELDS *	LOW SPEED TRIADS *
1728010001	14	53.80	49.68	42.00	COLUMN 14: B27,B28,D27,D28,F27,F28,G27,G28,J27,J28,L27,L28	COLUMN 13: B25,B26,D25,D26,F25,F26,G25,G26,J25,J26,L25,L26
1728010005	10	39.80	35.68	28.00	N/A	N/A
1728010006	10	39.80	35.68	28.00	N/A	N/A
1728010009	14	53.80	49.68	42.00	COLUMN 14: B27,B28,D27,D28,F27,F28,G27,G28,J27,J28,L27,L28	COLUMN 13: B25,B26,D25,D26,F25,F26,G25,G26,J25,J26,L25,L26
1728010013	16	60.80	56.68	49.00	N/A	N/A
1728010017	8	32.80	28.68	21.00	N/A	N/A
1728010018	12	46.80	42.68	35.00	N/A	N/A
1728010021	20	74.80	70.68	63.00	COLUMN 19: B37,B38,D37,D38,F37,F38,G37,G38,J37,J38,L37,L38 COLUMN 20: B39,B40,D39,D40,F39,F40,G39,G40,J39,J40,L39,L40	COLUMN 18: B35,B36,D35,D36,F35,F36,G35,G36,J35,J36,L35,L36
1728010022	25	92.30	88.18	80.50	N/A	N/A
1728010035	16	60.80	56.68	49.00	COLUMN 15: B29,B30,D29,D30,F29,F30,G29,G30,J29,J30,L29,L30 COLUMN 16: B31,B32,D31,D32,F31,F32,G31,G32,J31,J32,L31,L32	COLUMN 14: B27,B28,D27,D28,F27,F28,G27,G28,J27,J28,L27,L28
1728010037	14	53.80	49.68	42.00	COLUMN 12: B23,B24,D23,D24,F23,F24,G23,G24,J23,J24,L23,L24 COLUMN 13: B25,B26,D25,D26,F25,F26,G25,G26,J25,J26,L25,L26 COLUMN 14: B27,B28,D27,D28,F27,F28,G27,G28,J27,J28,L27,L28	COLUMN 11: B21,B22,D21,D22,F21,F22,G21,G22,J21,J22,L21,L22

SYMBOLS	THIS DRAWING CONTAINS INFORMATION THAT IS PROPRIETARY TO MOLEX ELECTRONIC TECHNOLOGIES, LLC AND SHOULD NOT BE USED WITHOUT WRITTEN PERMISSION		CURRENT REV DESC: SEE SHEET 1								
	DIMENSION UNITS	SCALE							GENERAL TOLERANCES (UNLESS SPECIFIED)		NEOPRESS 6 ROW PLUG ASSY, 100 OHMS
▽ = 0	mm	1:1	ANGULAR TOL ± 0.5°		EC NO: 170818		2018/01/15		PRODUCT CUSTOMER DRAWING		
▽ = 0	4 PLACES ±		3 PLACES ±		DRWN: TPREMO		2018/01/15		DOCUMENT NUMBER		
▽ = 0	3 PLACES ±		2 PLACES ± 0.15		CHK'D: KPELOZA		2018/01/15		DOC TYPE   DOC PART   REVISION		
▽ = 0	2 PLACES ±		1 PLACE ±		APPR: KLANG		2018/01/17		1728010002		
▽ = 0	1 PLACE ±		0 PLACES ±		INITIAL REVISION:		2017/04/19		PSD 000 B		
▽ = 0	DRAFT WHERE APPLICABLE MUST REMAIN WITHIN DIMENSIONS		THIRD ANGLE PROJECTION		DRWN: GMINNICK		2017/07/31		MATERIAL NUMBER		
▽ = 0					APPR: KLANG		2017/07/31		CUSTOMER		
						DRAWING		SERIES		SHEET NUMBER	
						E-SIZE		172801		2 OF 2	
						SEE TABLE		GENERAL MARKET			