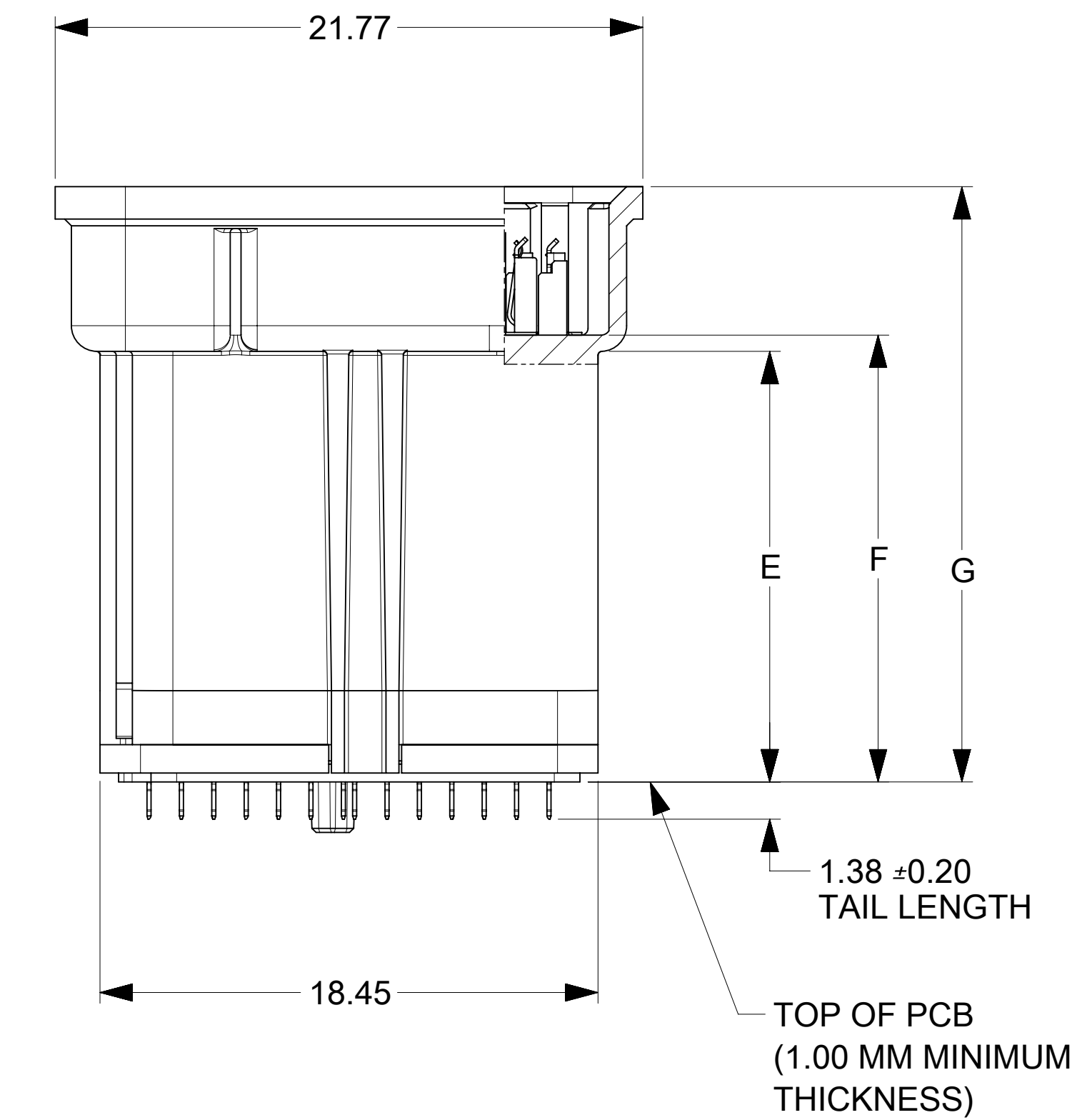
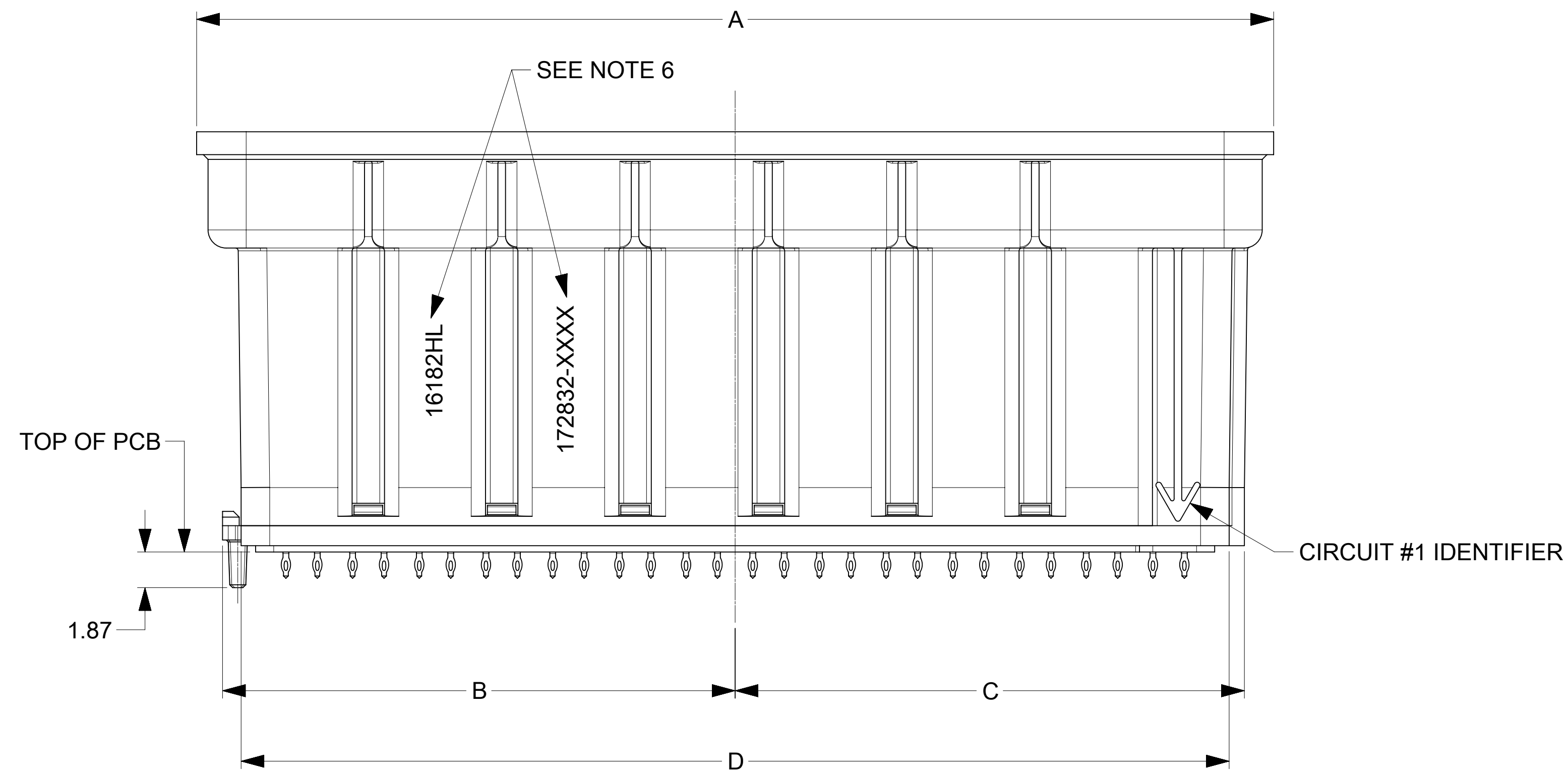
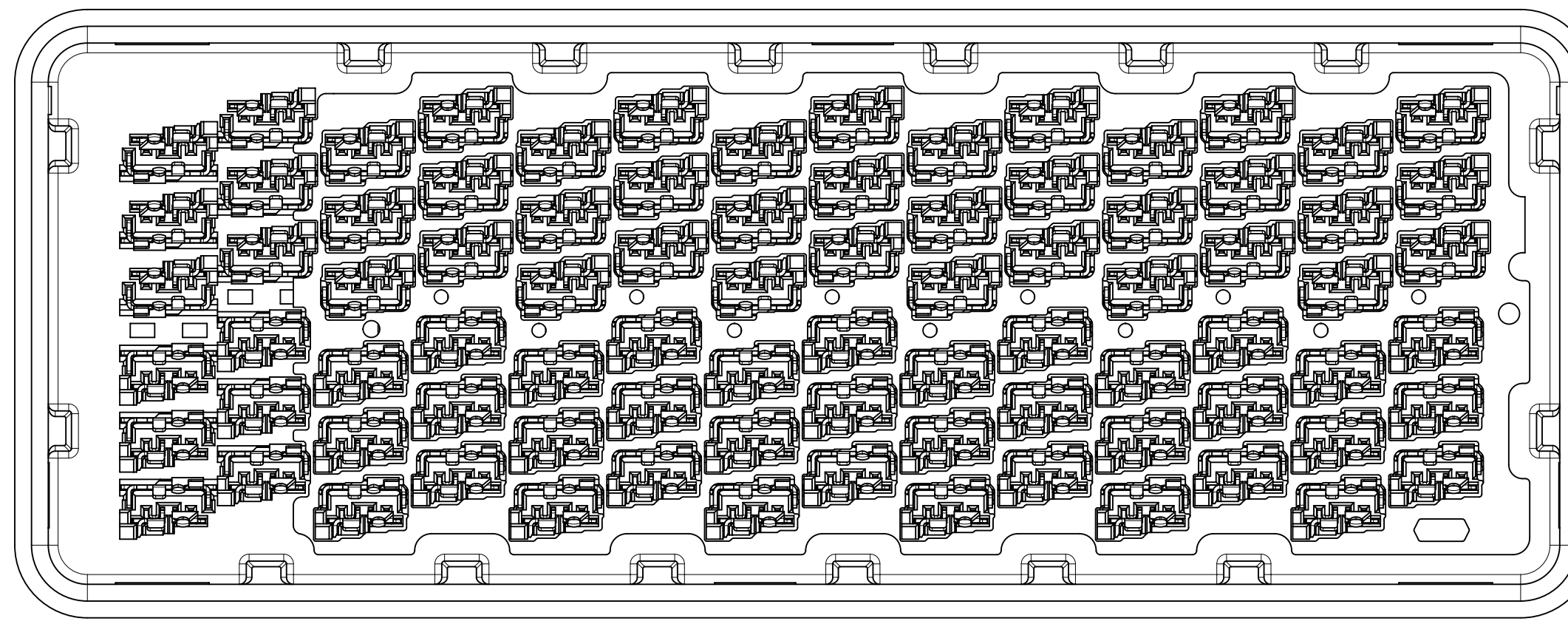


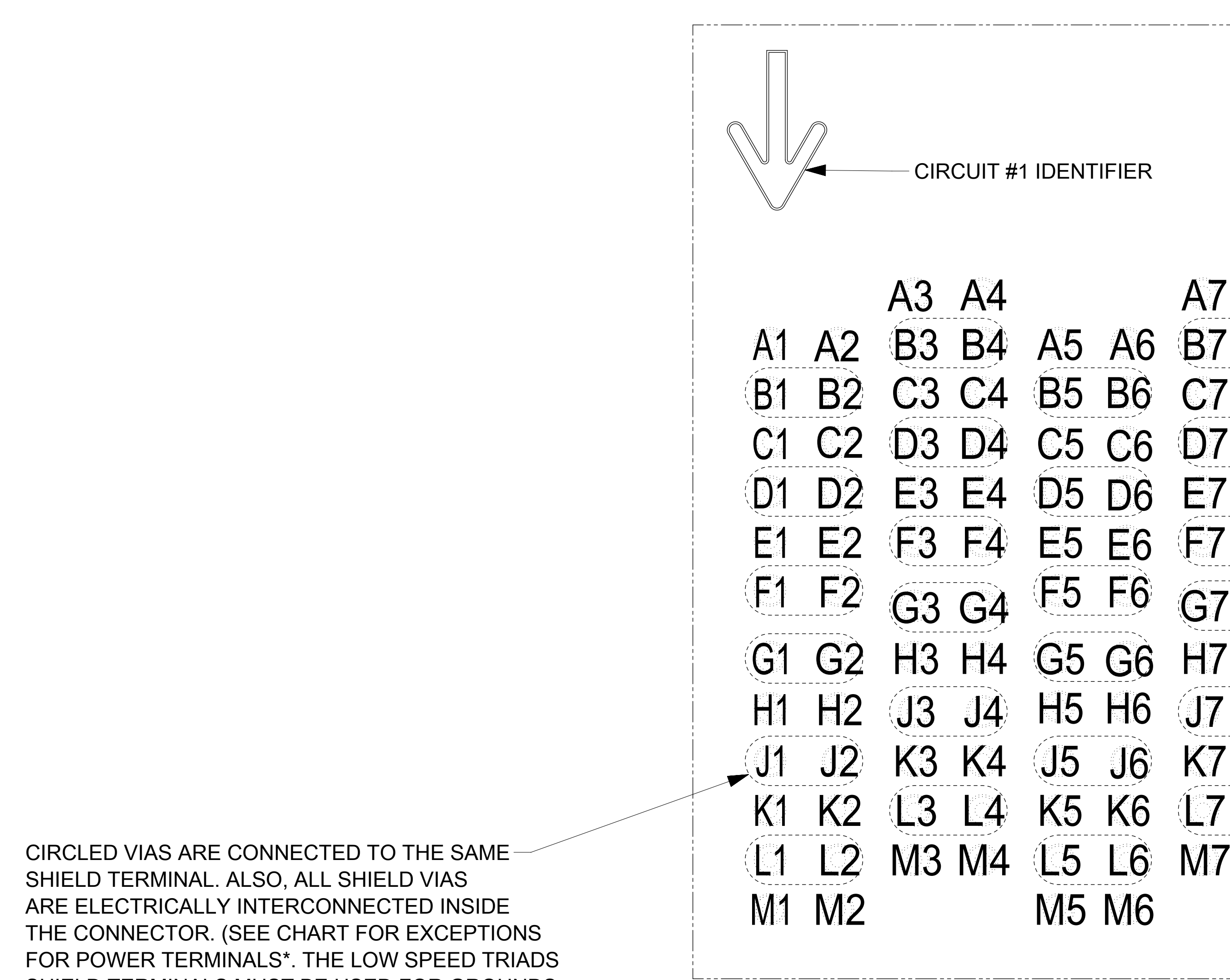
172832-0009 RECEPTACLE ASSEMBLY SHOWN

- NOTES:
1. HOUSING MATERIAL: LCP, GLASS FILLED, UL 94V-0, BLACK
CONTACT MATERIAL: HIGH PERFORMANCE COPPER ALLOY
 2. FINISH:
CONTACTS: SELECTIVE GOLD: 30 MICRO INCHES MINIMUM ON CONTACT AREA
SELECTIVE TIN ON COMPLIANT PIN OVER 50 MICRO INCHES MINIMUM
NICKEL OVERALL
 3. PRODUCT SPECIFICATION: PS-172801-0001
 4. PACKAGING SPECIFICATION: PK-173358-0001
 5. APPLICATION SPECIFICATION: AS-172801-0001
 6. PARTS TO BE MARKED WITH THE PART NUMBER AND DATE CODE.
FORMAT IS 2 DIGIT YEAR, 3 DIGIT DAY, 1 DIGIT HOUR (IF NEEDED), AND
ONE DIGIT ASSEMBLY LINE (IF NEEDED) BY MARKING THE HOUSING AS SHOWN.
 7. THIS PART CONFORMS TO CLASS B REQUIREMENTS OF
MOLEX COSMETIC SPEC. PS-45499-002



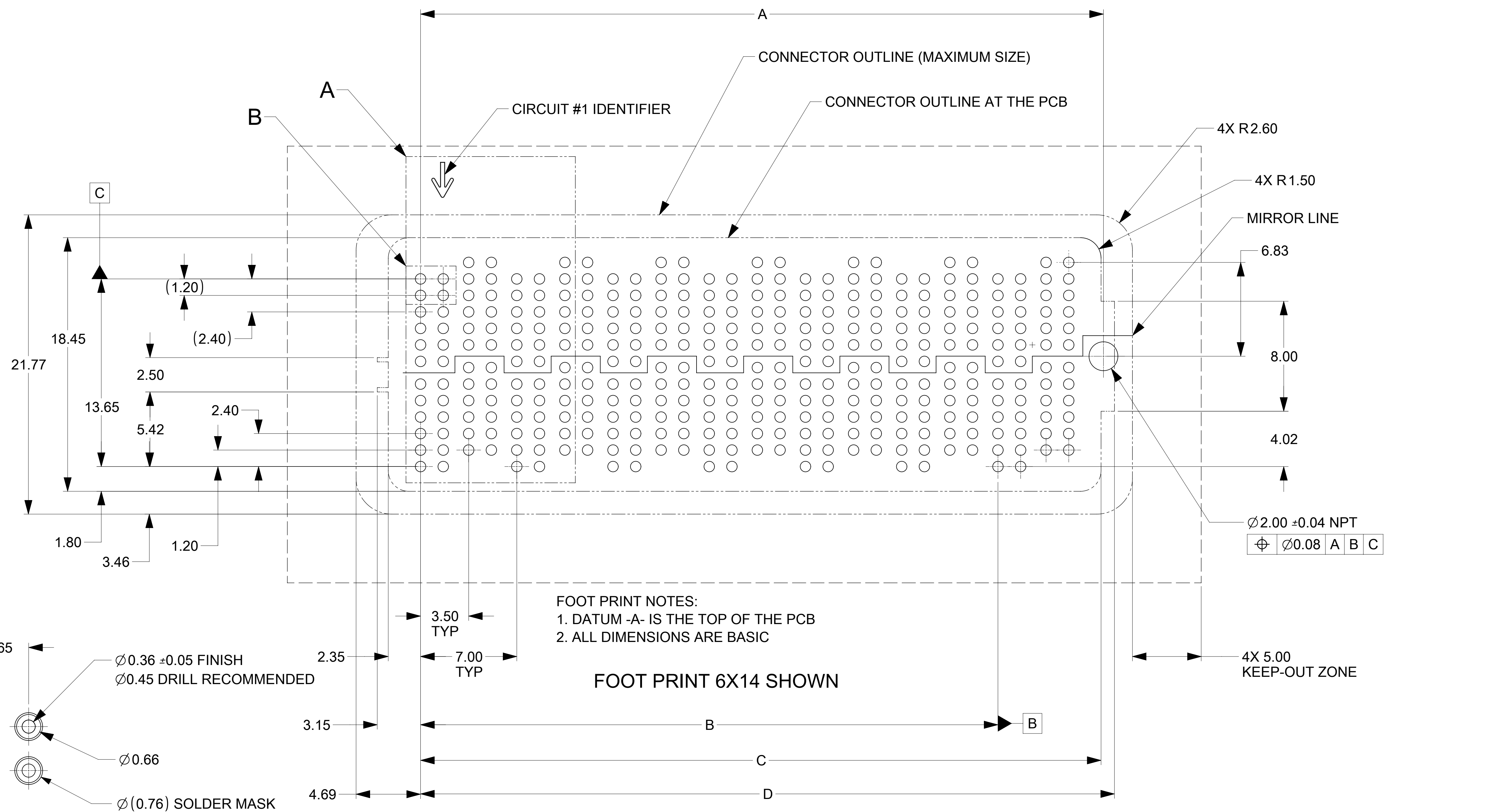
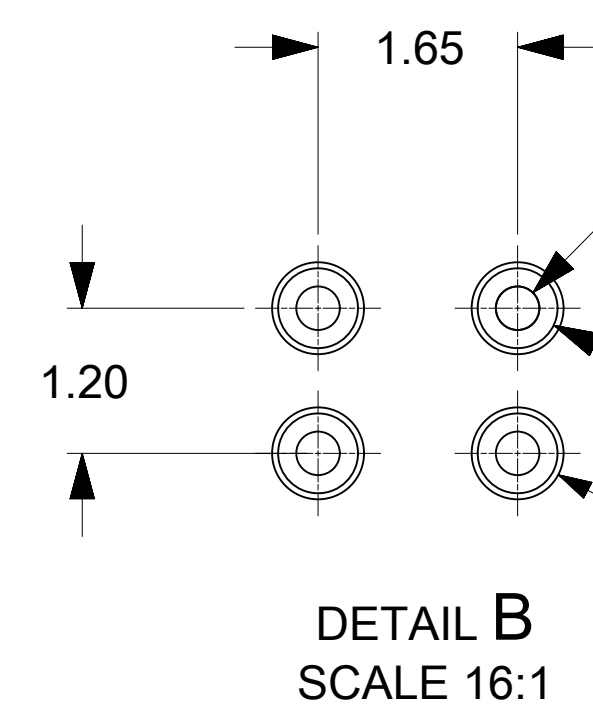
MATERIAL NUMBER	HEIGHT	NO. OF COLUMNS	DIM A	DIM B	DIM C	DIM D	DIM E	DIM F	DIM G	LOCATING PEG	TOOLED	MATES TO
1728320001	13.5	14	56.52	26.90	26.73	51.85	10.95	11.55	17.05	NO	YES	1728010001
1728320005	18.5	10	42.52	19.90	19.73	37.85	15.95	16.55	22.05	PRESENT	YES	1728010005 & 1728010006
1728320009	18.5	14	56.52	26.90	26.73	51.85	15.95	16.55	22.05	PRESENT	YES	1728010009
1728320013	18.5	16	63.52	30.40	30.23	58.85	15.95	16.55	22.05	PRESENT	YES	1728010013
1728320017	13.5	8	35.52	16.40	16.23	30.85	10.95	11.55	17.05	NO	NO	1728010017
1728320018	18.5	12	49.52	23.40	23.23	44.85	15.95	16.55	22.05	PRESENT	NO	1728010018 & 1733630009
1728320019	14.5	12	49.52	23.40	23.23	44.85	11.95	12.55	18.05	PRESENT	NO	1728010018 & 1733630009
1728320021	21.5	10	42.52	19.90	19.73	37.85	18.95	19.55	25.05	PRESENT	NO	1728010005 & 1728010006
1728320022	23.5	10	42.52	19.90	19.73	37.85	20.95	21.55	27.05	PRESENT	NO	1728010005 & 1728010006
1728320023	20.5	10	42.52	19.90	19.73	37.85	17.95	18.55	24.05	PRESENT	NO	1733630011
1728320024	18.5	20	77.52	37.40	37.23	72.85	15.95	16.55	22.05	PRESENT	NO	1728010021
1728320025	18.5	25	95.02	46.15	45.98	90.35	15.95	16.55	22.05	PRESENT	NO	1728010022
1728320026	18.5	6	28.52	12.90	12.73	23.85	15.95	16.55	22.05	PRESENT	NO	1733630012
1728320034	18.5	16	63.52	30.40	30.23	58.85	15.95	16.55	22.05	PRESENT	YES	1728010035
1728320036	18.5	14	56.52	26.90	26.73	51.85	15.95	16.55	22.05	PRESENT	YES	1728010037

SYMBOLS DIMENSION UNITS: = 0 mm SCALE: = 0 5:1 GENERAL TOLERANCES (UNLESS SPECIFIED): = 0 ANGULAR TOL: = 0 ± 0.5° 4 PLACES: = 0 ± 3 PLACES: = 0 ± 2 PLACES: = 0 ± 0.15 1 PLACE: = 0 ± 0 PLACES: = 0 ± DRAFT WHERE APPLICABLE MUST REMAIN WITHIN DIMENSIONS: = 0	THIS DRAWING CONTAINS INFORMATION THAT IS PROPRIETARY TO MOLEX ELECTRONIC TECHNOLOGIES, LLC AND SHOULD NOT BE USED WITHOUT WRITTEN PERMISSION CURRENT REV DESC: DIM. 6.83 WAS 6.82 ON SH 2 ZONE R3		NEOPRESS 6 ROW RECEPTACLE ASSY 100 OHM PRODUCT CUSTOMER DRAWING	
	EC NO: 170818 DRWN: TPREMO 2018/01/15 CHK'D: KPELOZA 2018/01/15 APPR: KLANG 2018/01/17			DOCUMENT NUMBER: 1728320002 DOC TYPE: PSD DOC PART: 000 REVISION: B
	INITIAL REVISION: DRWN: GMINNICK 2017/04/21 APPR: KLANG 2017/07/31			MATERIAL NUMBER: SEE TABLE CUSTOMER: GENERAL MARKET SHEET NUMBER: 1 OF 2
	THIRD ANGLE PROJECTION DRAWING: E-SIZE SERIES: 172832			



CIRCLED VIAS ARE CONNECTED TO THE SAME SHIELD TERMINAL. ALSO, ALL SHIELD VIAS ARE ELECTRICALLY INTERCONNECTED INSIDE THE CONNECTOR. (SEE CHART FOR EXCEPTIONS FOR POWER TERMINALS*. THE LOW SPEED TRIADS SHIELD TERMINALS MUST BE USED FOR GROUNDS ONLY AND MAY BE CONNECTED TO OTHER SHIELDS IN THIS CONNECTOR EXCEPT THE ELECTRICALLY ISOLATED SHIELDS).

DETAIL A
SCALE 12:1
NUMBERING SCHEME



MATERIAL NUMBER	NO. OF COLUMNS	DIM A	DIM B	DIM C	DIM D	ELECTRICALLY ISOLATED SHIELDS *	LOW SPEED TRIADS *
1728320001	14	N/A	42.00	49.50	50.48	COLUMN 14: B27,B28,D27,D28,F27,F28,G27,G28,J27,J28,L27,L28	COLUMN 13: B25,B26,D25,D26,F25,F26,G25,G26,J25,J26,L25,L26
1728320005	10	35.68	28.00	35.50	36.48	N/A	N/A
1728320009	14	49.68	42.00	49.50	50.48	COLUMN 14: B27,B28,D27,D28,F27,F28,G27,G28,J27,J28,L27,L28	COLUMN 13: B25,B26,D25,D26,F25,F26,G25,G26,J25,J26,L25,L26
1728320013	16	56.68	49.00	56.50	57.48	N/A	N/A
1728320017	8	N/A	21.00	28.50	29.48	N/A	N/A
1728320018	12	42.68	35.00	42.50	43.48	N/A	N/A
1728320019	12	42.68	35.00	42.50	43.48	N/A	N/A
1728320021	10	35.68	28.00	35.50	36.48	N/A	N/A
1728320022	10	35.68	28.00	35.50	36.48	N/A	N/A
1728320023	10	35.68	28.00	35.50	36.48	N/A	N/A
1728320024	20	70.68	63.00	70.50	71.48	COLUMN 19: B37,B38,D37,D38,F37,F38,G37,G38,J37,J38,L37,L38 COLUMN 20: B33,B40,D39,D40,F39,F40,G39,G40,J39,J40,L39,L40	COLUMN 18: B35,B36,D35,D36,F35,F36,G35,G36,J35,J36,L35,L36
1728320025	25	88.18	80.50	88.00	88.98	N/A	N/A
1728320026	6	21.68	14.00	21.50	22.48	N/A	N/A
1728320034	16	56.68	49.00	56.50	57.48	COLUMN 15: B29,B30,D29,D30,F29,F30,G29,G30,J29,J30,L29,L30 COLUMN 16: B31,B32,D31,D32,F31,F32,G31,G32,J31,J32,L31,L32	COLUMN 14: B27,B28,D27,D28,F27,F28,G27,G28,J27,J28,L27,L28
1728320036	14	49.68	42.00	49.50	50.48	COLUMN 12: B23,B24,D23,D24,F23,F24,G23,G24,J23,J24,L23,L24 COLUMN 13: B25,B26,D25,D26,F25,F26,G25,G26,J25,J26,L25,L26 COLUMN 14: B27,B28,D27,D28,F27,F28,G27,G28,J27,J28,L27,L28	COLUMN 11: B21,B22,D21,D22,F21,F22,G21,G22,J21,J22,L21,L22

SYMBOLS DIMENSION UNITS: mm SCALE: 1:1 GENERAL TOLERANCES (UNLESS SPECIFIED): ANGULAR TOL: ± 0.5° 4 PLACES: ± 3 PLACES: ± 2 PLACES: ± 0.15 1 PLACE: ± 0 PLACES: ± DRAFT WHERE APPLICABLE MUST REMAIN WITHIN DIMENSIONS	THIS DRAWING CONTAINS INFORMATION THAT IS PROPRIETARY TO MOLEX ELECTRONIC TECHNOLOGIES, LLC AND SHOULD NOT BE USED WITHOUT WRITTEN PERMISSION	CURRENT REV DESC: SEE SHEET 1					
	EC NO: 170818	2018/01/15		NEOPRESS 6 ROW RECEPTACLE ASSY 100 OHM PRODUCT CUSTOMER DRAWING			
	DRWN: TPREMO	2018/01/15					
	CHK'D: KPELOZA	2018/01/15					
	APPR: KLANG	2018/01/17		INITIAL REVISION:	DOCUMENT NUMBER: 1728320002 DOC TYPE: PSD DOC PART: 000 REVISION: B		
	DRWN: GMINNICK	2017/04/21		DRWN: GMINNICK		2017/07/31	
	APPR: KLANG	2017/07/31		APPR: KLANG	2017/07/31		
	THIRD ANGLE PROJECTION	DRAWING		SERIES	MATERIAL NUMBER	CUSTOMER	SHEET NUMBER
		E-SIZE		172832	SEE TABLE	GENERAL MARKET	2 OF 2