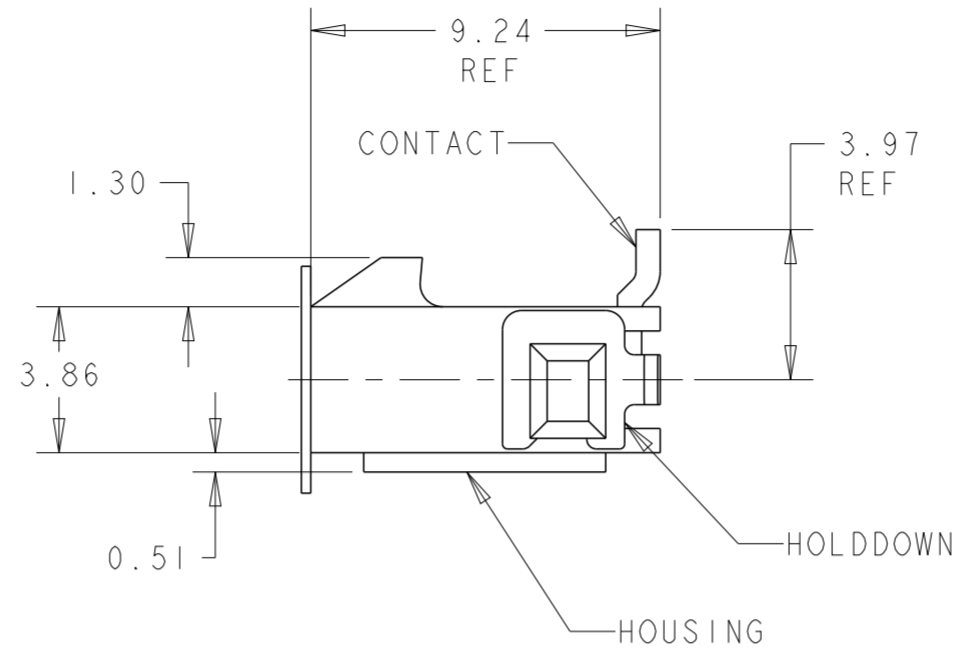
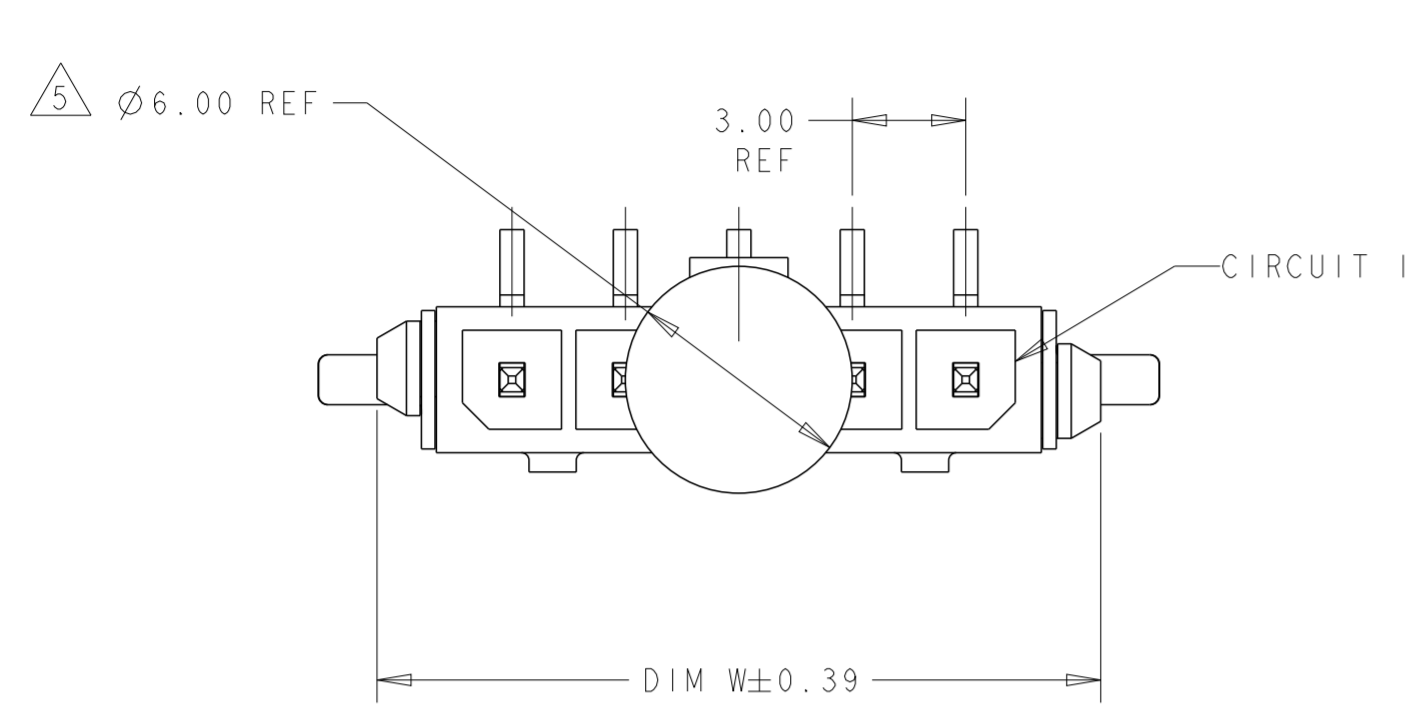
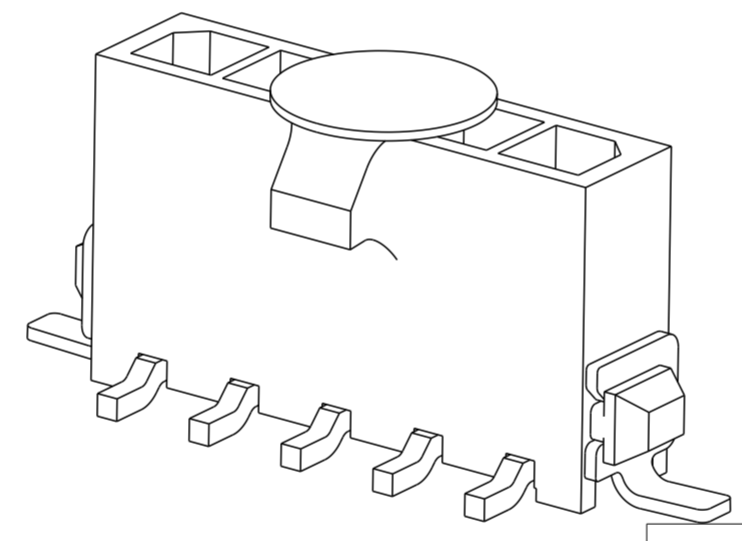
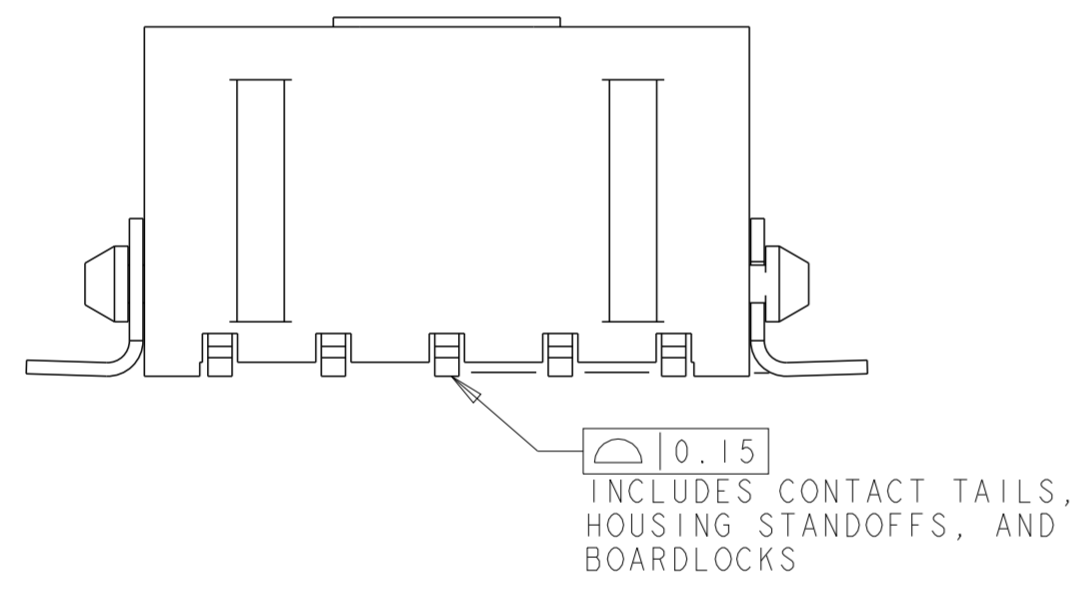


THIS DRAWING IS UNPUBLISHED. RELEASED FOR PUBLICATION 20
 © COPYRIGHT 20 BY - ALL RIGHTS RESERVED.

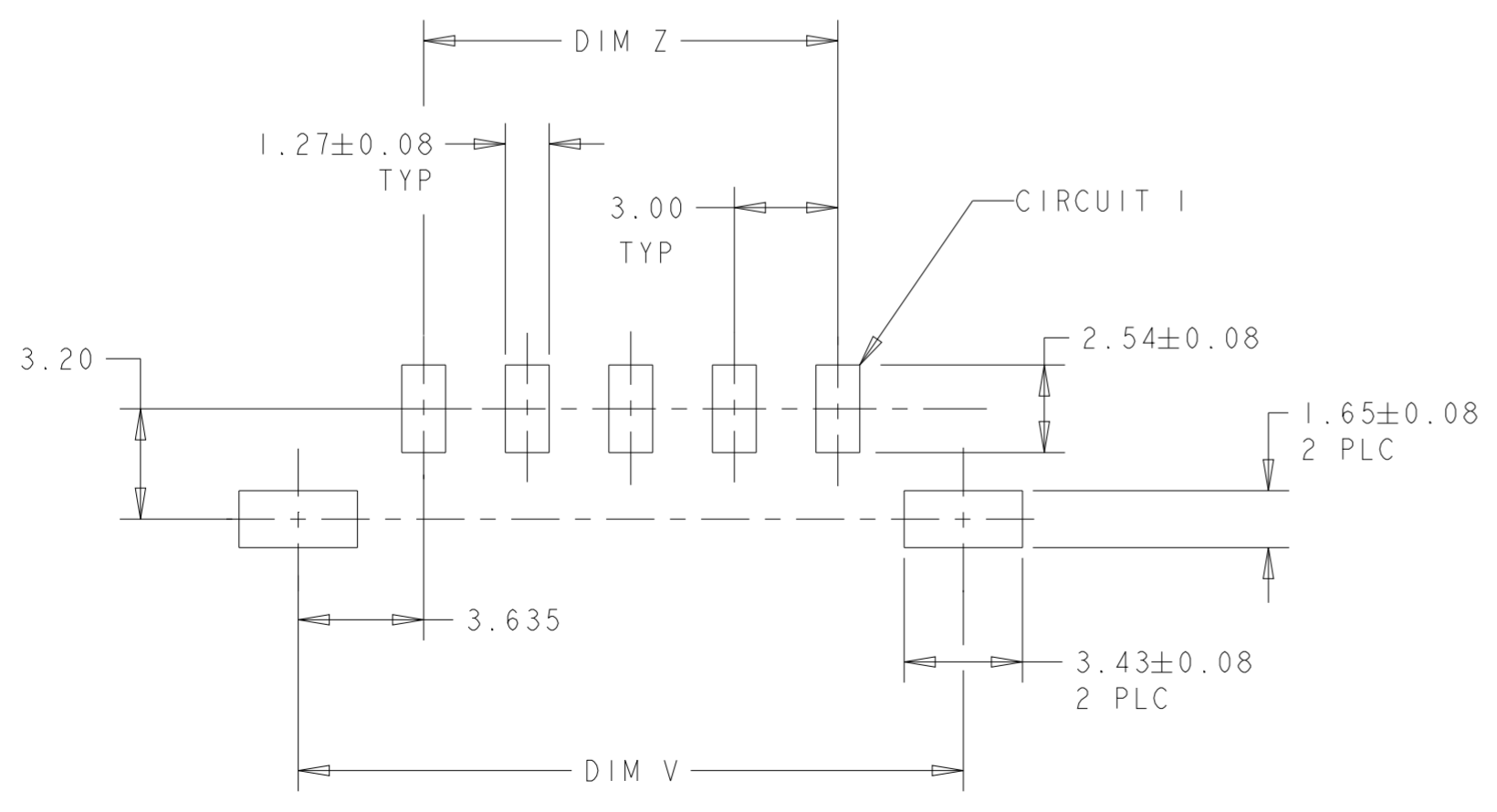
| REVISIONS | | | | | |
|-----------|-----|---------------------------|-----------|-----|------|
| P | LTR | DESCRIPTION | DATE | DWN | APVD |
| | C2 | REVISED PER ECR-16-011494 | 20JUN2017 | NK | CX |



- 1 MATERIAL: CONTACTS - BRASS
HOUSING - UL 94V-0 RATED HIGH TEMP NYLON, COLOR BLACK.
HOLDDOWNS: - PHOSPHOR BRONZE.
- 2 PLATING: CONTACTS - 2.54µm MINIMUM TIN-LEAD OVER 1.27µm MINIMUM NICKEL.
HOLDDOWNS: 2.54µm MINIMUM TIN-LEAD OVER 1.27µm MINIMUM NICKEL.
- 4 RECOMMENDED PC BOARD THICKNESS OF 1.57.
- 5 KAPTON VACUUM PICK UP BUTTON.
- 6 PLATING: CONTACTS - 2.54µm MINIMUM MATTE TIN OVER 1.27µm MINIMUM NICKEL.
HOLDDOWNS: 2.54µm MINIMUM MATTE TIN OVER 1.27µm MINIMUM NICKEL.



| FINISH | DIM Z | DIM V | DIM W | NO. OF POSN | PART NUMBER |
|--------|-------|-------|-------|-------------|-------------|
| 6 | 33.00 | 40.41 | 40.00 | 12 | 3-1445053-2 |
| 6 | 30.00 | 37.41 | 37.00 | 11 | 3-1445053-1 |
| 6 | 27.00 | 34.41 | 34.00 | 10 | 3-1445053-0 |
| 6 | 24.00 | 31.41 | 31.00 | 9 | 2-1445053-9 |
| 6 | 21.00 | 28.41 | 28.00 | 8 | 2-1445053-8 |
| 6 | 18.00 | 25.41 | 25.00 | 7 | 2-1445053-7 |
| 6 | 15.00 | 22.41 | 22.00 | 6 | 2-1445053-6 |
| 6 | 12.00 | 19.41 | 19.00 | 5 | 2-1445053-5 |
| 6 | 9.00 | 16.41 | 16.00 | 4 | 2-1445053-4 |
| 6 | 6.00 | 13.41 | 13.00 | 3 | 2-1445053-3 |
| 6 | 3.00 | 10.41 | 10.00 | 2 | 2-1445053-2 |
| 2 | 33.00 | 40.41 | 40.00 | 12 | +1445053-2- |
| 2 | 30.00 | 37.41 | 37.00 | 11 | +1445053-1- |
| 2 | 27.00 | 34.41 | 34.00 | 10 | +1445053-0- |
| 2 | 24.00 | 31.41 | 31.00 | 9 | -1445053-9- |
| 2 | 21.00 | 28.41 | 28.00 | 8 | -1445053-8- |
| 2 | 18.00 | 25.41 | 25.00 | 7 | -1445053-7- |
| 2 | 15.00 | 22.41 | 22.00 | 6 | -1445053-6- |
| 2 | 12.00 | 19.41 | 19.00 | 5 | -1445053-5- |
| 2 | 9.00 | 16.41 | 16.00 | 4 | -1445053-4- |
| 2 | 6.00 | 13.41 | 13.00 | 3 | -1445053-3- |
| 2 | 3.00 | 10.41 | 10.00 | 2 | -1445053-2- |



PCB LAYOUT COMPONENT SIDE 4

THIS DRAWING IS A CONTROLLED DOCUMENT. DWN J. ROOT 07OCT2000
 CHK K. WHITAKER 20-FEB-2001
 APVD C. JONES 20-FEB-2001

STE TE Connectivity

NAME: VERTICAL SURFACE MOUNT HEADER ASSY, TIN CONTACTS, SURF MOUNT HOLDDOWNS, SINGLE ROW, MICRO MATE-N-LOK™

SIZE: A2 CAGE CODE: 00779 DRAWING NO: C-1445053 RESTRICTED TO: -

MATERIAL: SEE TABLE

PRODUCT SPEC: -
 APPLICATION SPEC: -
 WEIGHT: -

CUSTOMER DRAWING SCALE: 5:1 SHEET: 1 OF 1 REV: C2