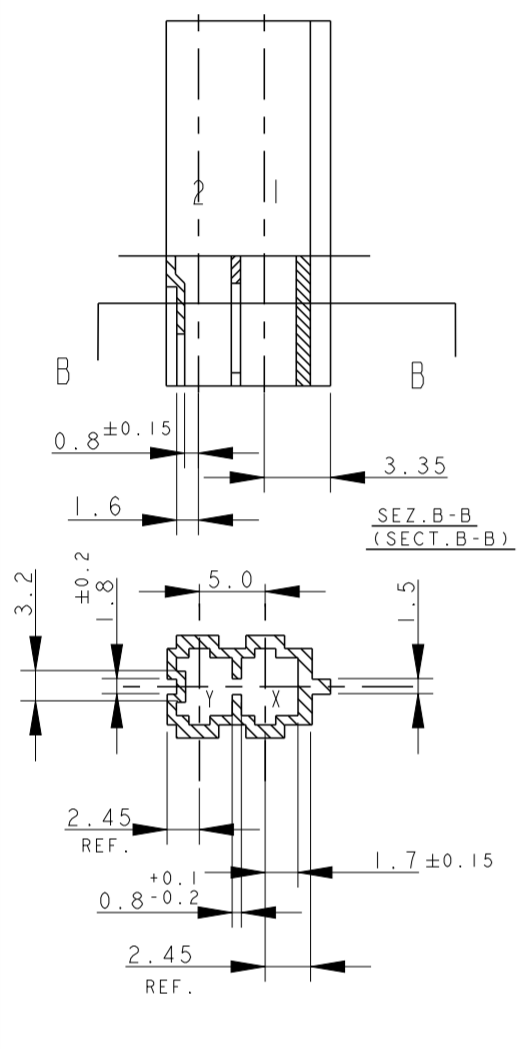


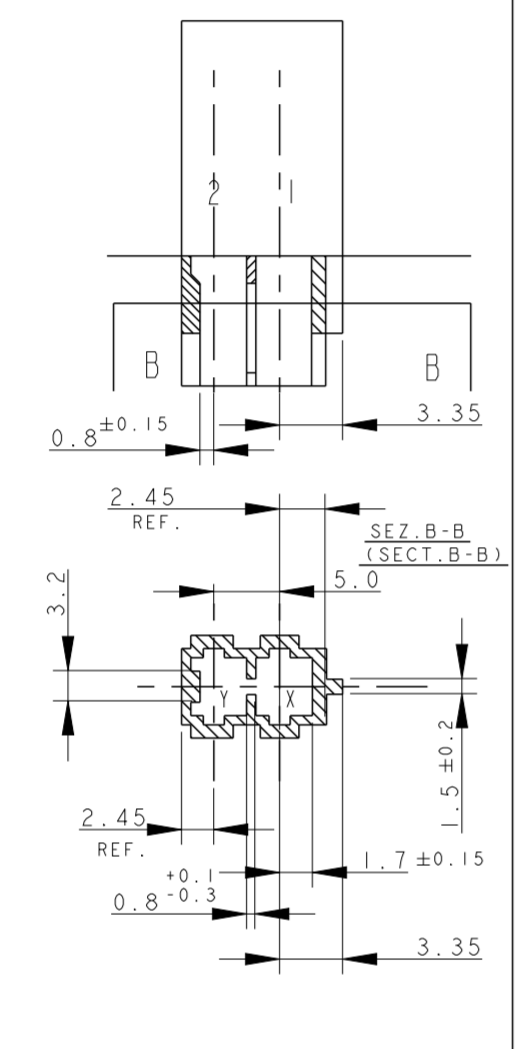
THIS DRAWING IS UNPUBLISHED. RELEASED FOR PUBLICATION
 © COPYRIGHT copyright.d8re- ALL RIGHTS RESERVED.

| LOC | | DIST | | REVISIONS | | | |
|-----|-----|---------------------------|--|-----------|-----|------|--|
| P | LTR | DESCRIPTION | | DATE | DWN | APVD | |
| Z21 | | ECR-17-009832 | | 18JUL2017 | FL | RR | |
| Z22 | | REVISED PER ECR-17-011922 | | 21AUG2017 | BW | MD | |
| Z23 | | REVISED PER ECR-17-018280 | | 28DEC2017 | BDA | MD | |
| Z24 | | REVISED PER ECR-18-001816 | | 12FEB2018 | AL | RR | |

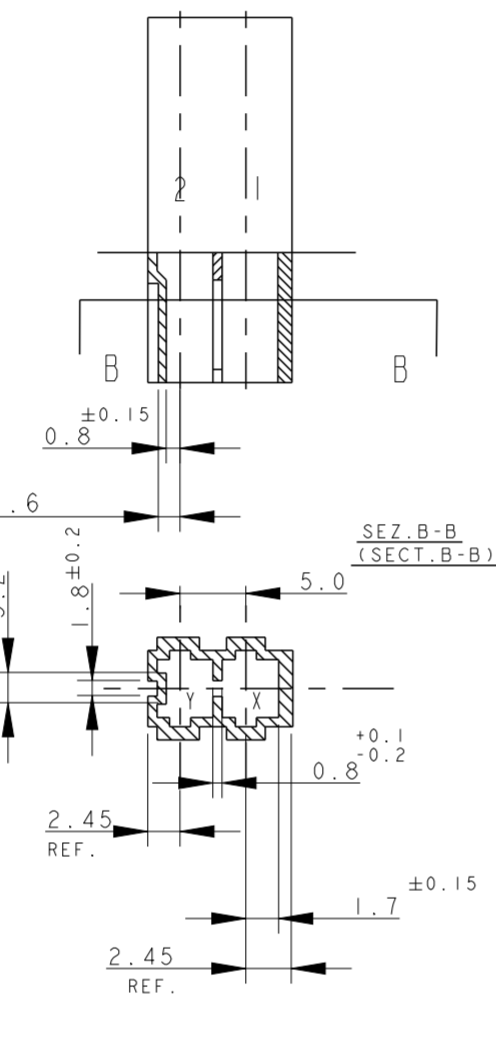
RAPPRESENTAZIONE GRAFICA DEI P/Ns: (GRAPHICAL REPRESENTATION OF P/Ns:)
 x-282042-1



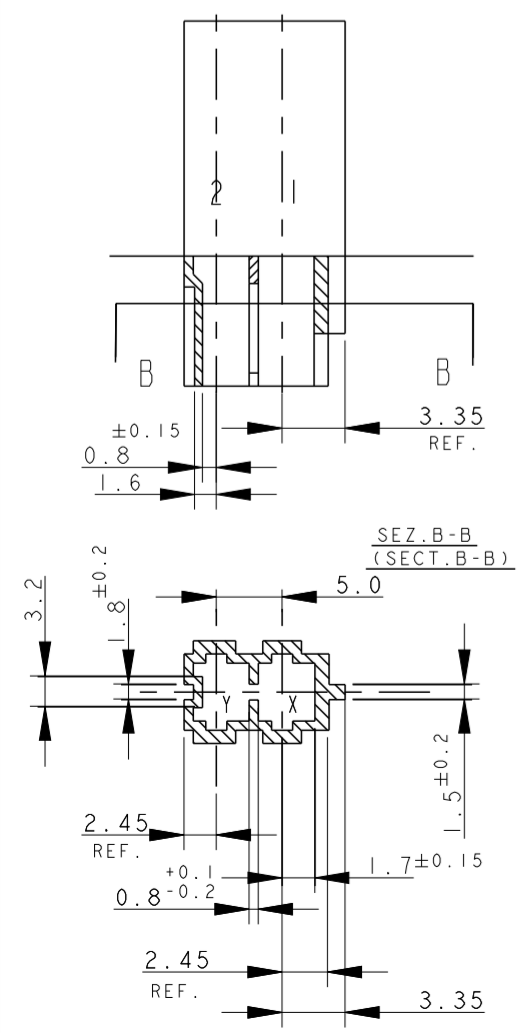
RAPPRESENTAZIONE GRAFICA DEI P/Ns: (GRAPHICAL REPRESENTATION OF P/Ns:)
 x-282042-2



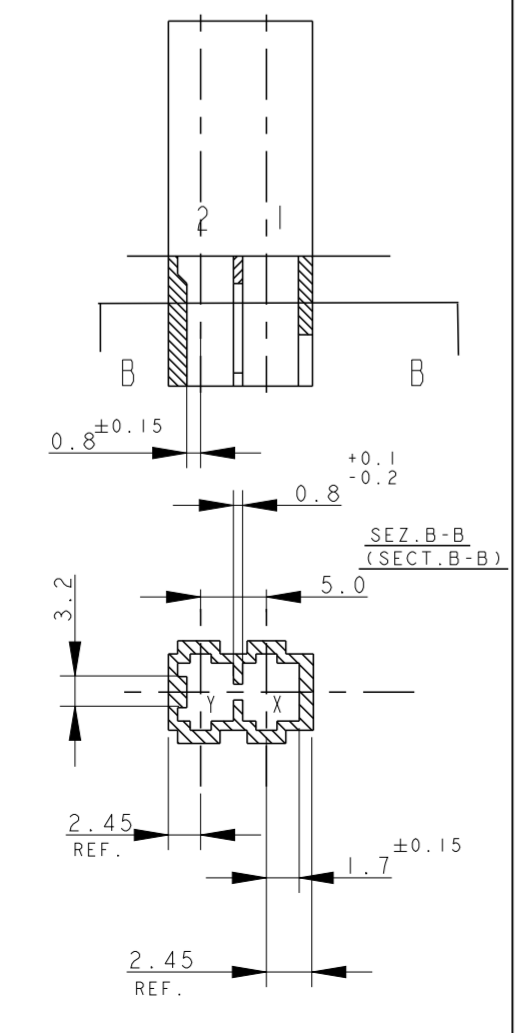
RAPPRESENTAZIONE GRAFICA DEI P/Ns: (GRAPHICAL REPRESENTATION OF P/Ns:)
 x-282042-3 & x-2293372-2 & x-2298752-2



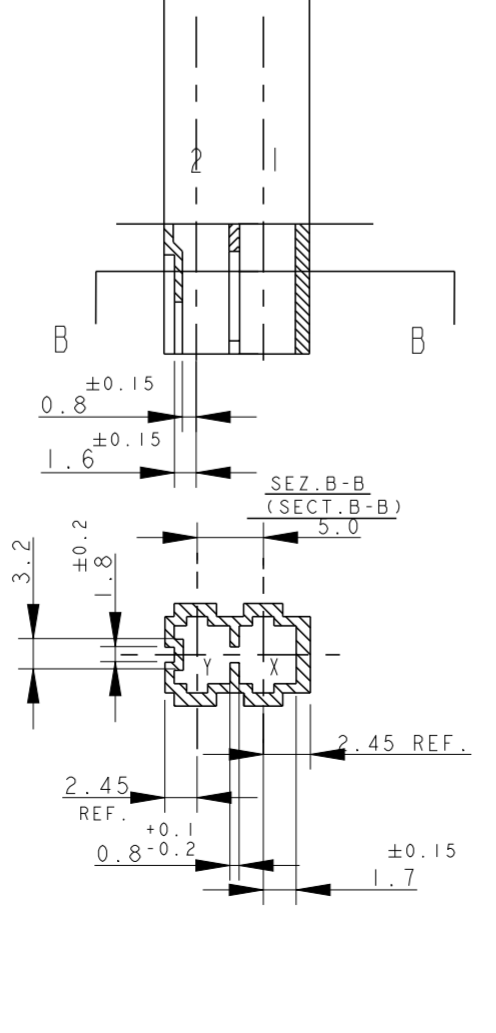
RAPPRESENTAZIONE GRAFICA DEI P/Ns: (GRAPHICAL REPRESENTATION OF P/Ns:)
 x-282042-4



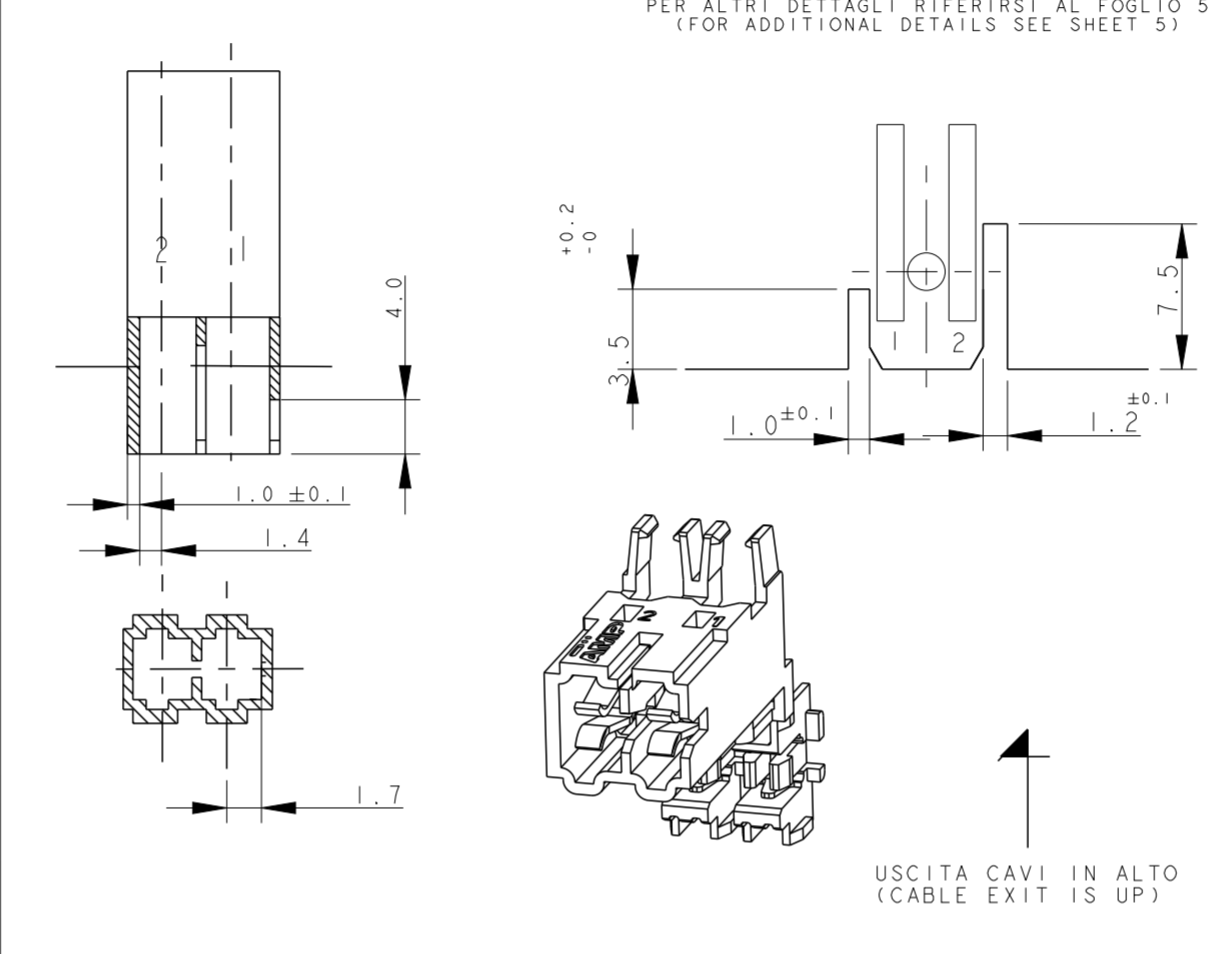
RAPPRESENTAZIONE GRAFICA DEI P/Ns: (GRAPHICAL REPRESENTATION OF P/Ns:)
 x-282042-5



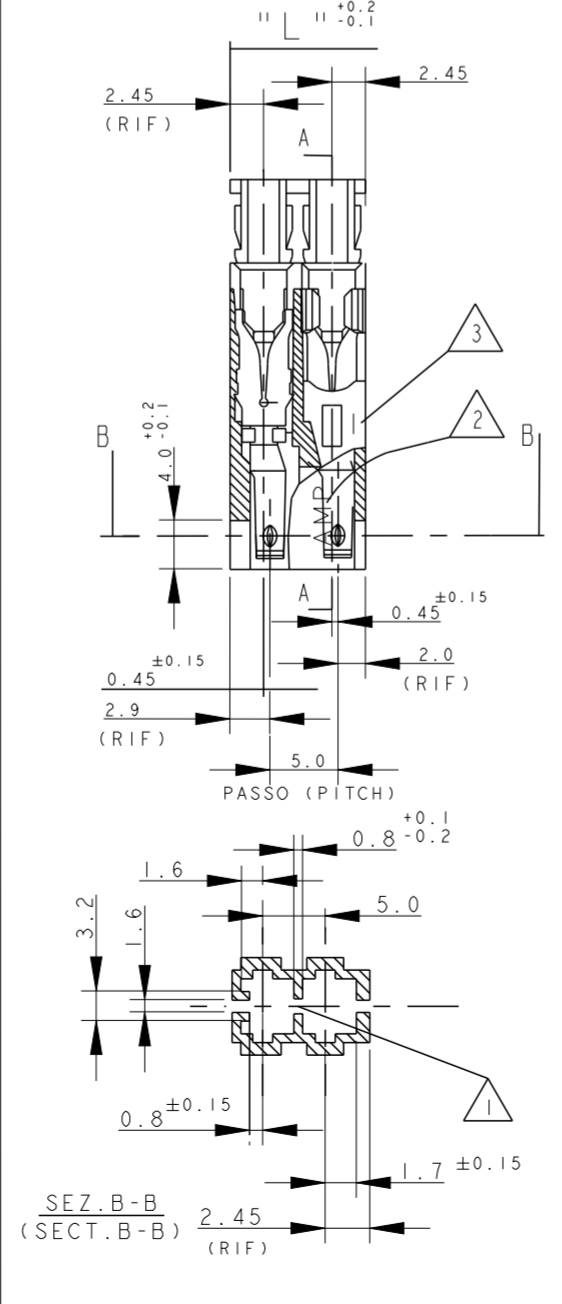
RAPPRESENTAZIONE GRAFICA DEI P/Ns: (GRAPHICAL REPRESENTATION OF P/Ns:)
 x-282042-6



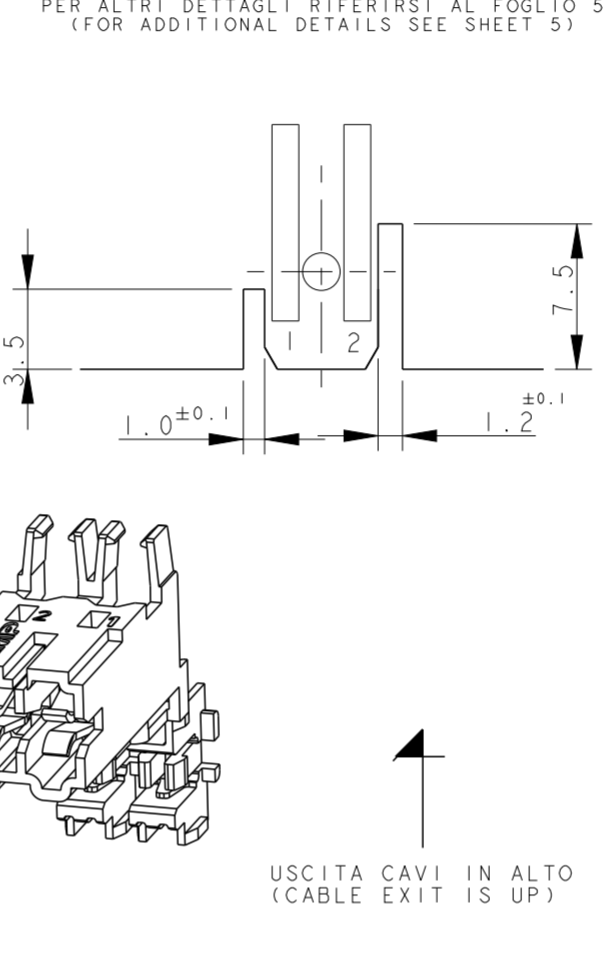
DETAILS FOR x-284561-2
 NOT YET IN PRODUCTION



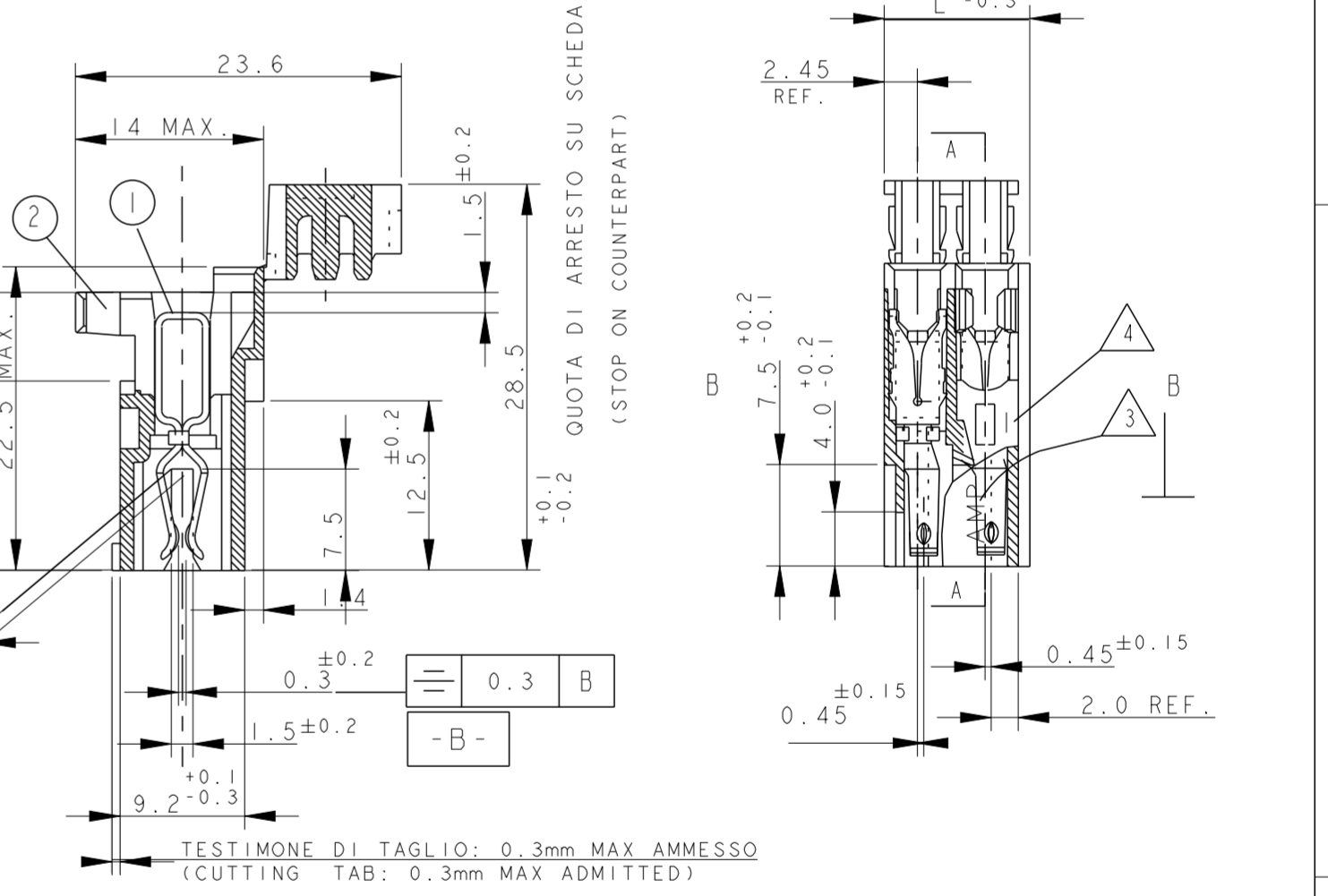
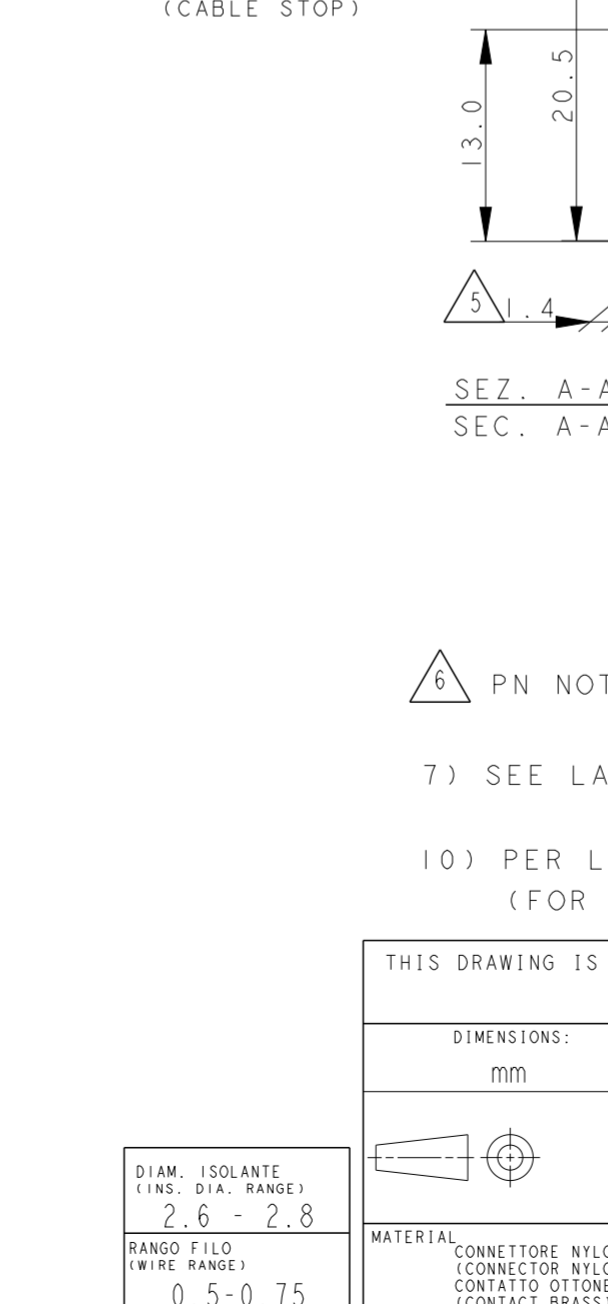
RAPPRESENTAZIONE GRAFICA DEI P/Ns: (GRAPHICAL REPRESENTATION OF P/Ns:)
 x-284561-1



2 POS.
 PCB LAYOUT FOR P/Ns
 x-284561-2



RAPPRESENTAZIONE GRAFICA DEI P/Ns: (GRAPHICAL REPRESENTATION OF P/Ns:)
 x-284561-1



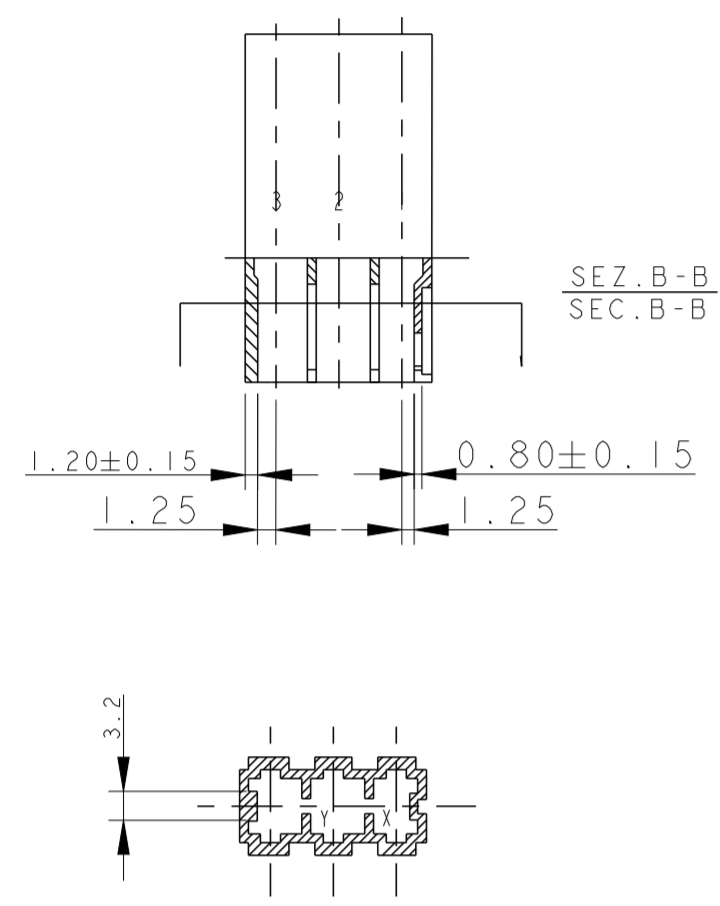
PN NOT YET RELEASED FOR PRODUCTION
 7) SEE LATER SHEETS FOR PN TABLES
 10) PER LE DIMENSIONI DELLE DIME DEL CIRCUITO STAMPATO VEDERE FOGLIO 5 (FOR PCB LAYOUT AND DIMENSIONS SEE SHEET 5)

| | | | |
|--|--|---|---|
| THIS DRAWING IS A CONTROLLED DOCUMENT. | | DWN C.CORDOLA 23JUL1996 | TE Connectivity MONO-SHAPE, MK1 PCB CONNECTOR 2-12 POS. |
| DIMENSIONS: mm | | CHK G.TURCO 23JUL1996 | |
| TOLERANCES UNLESS OTHERWISE SPECIFIED: | | APVD G.TURCO 23JUL1996 | |
| 0 PLC ± 0.3 1 PLC ± 0.3 2 PLC ± 0.3 3 PLC ± 0.3 4 PLC ± 0.3 ANGLES ± 2° | | NAME G.TURCO PRODUCT SPEC 108-20067 APPLICATION SPEC 114-20018 | |
| MATERIAL CONNETTORE NYLON (CONNECTOR NYLON) CONTATTO OTTONE (CONTACT BRASS) | | FINISH STAGNATO (TIN PLATED) | SIZE A2 |
| DIAM. ISOLANTE (INS. DIA. RANGE) 2.6 - 2.8 RANGO FILO (WIRE RANGE) 0.5-0.75 | | RESTRICTED TO | SCALE - |
| Customer Drawing | | WEIGHT - | SHEET 1 OF 10 |
| | | REV Z24 | |

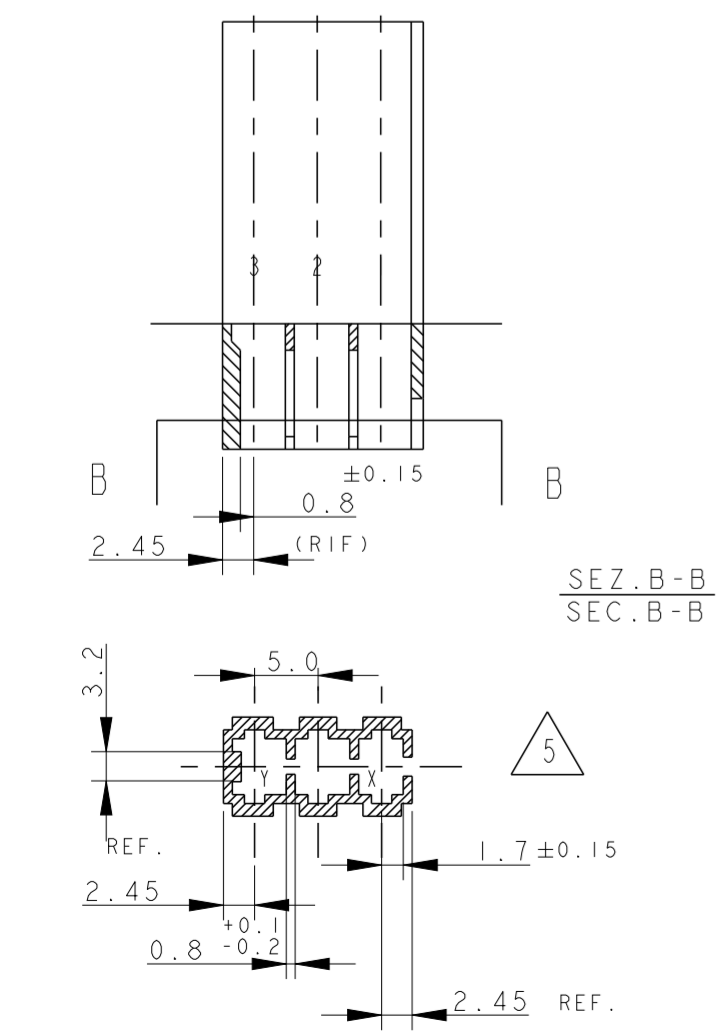
THIS DRAWING IS UNPUBLISHED. RELEASED FOR PUBLICATION
 © COPYRIGHT copyright.dBTe- ALL RIGHTS RESERVED.

| LOC | | DIST | | REVISIONS | | | |
|-----|-----|-------------|------|-----------|------|--|--|
| P | LTR | DESCRIPTION | DATE | DWN | APVD | | |
| | | SEE SHEET 1 | | | | | |

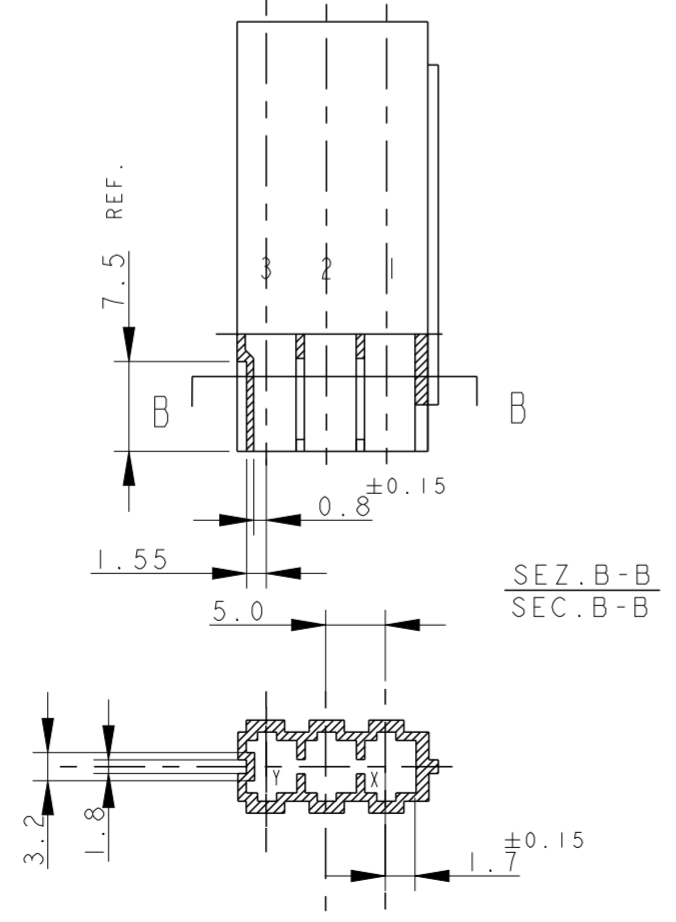
RAPPRESENTAZIONE GRAFICA DEI P/Ns:
 (GRAPHICAL REPRESENTATION OF P/Ns:)
 284546-2



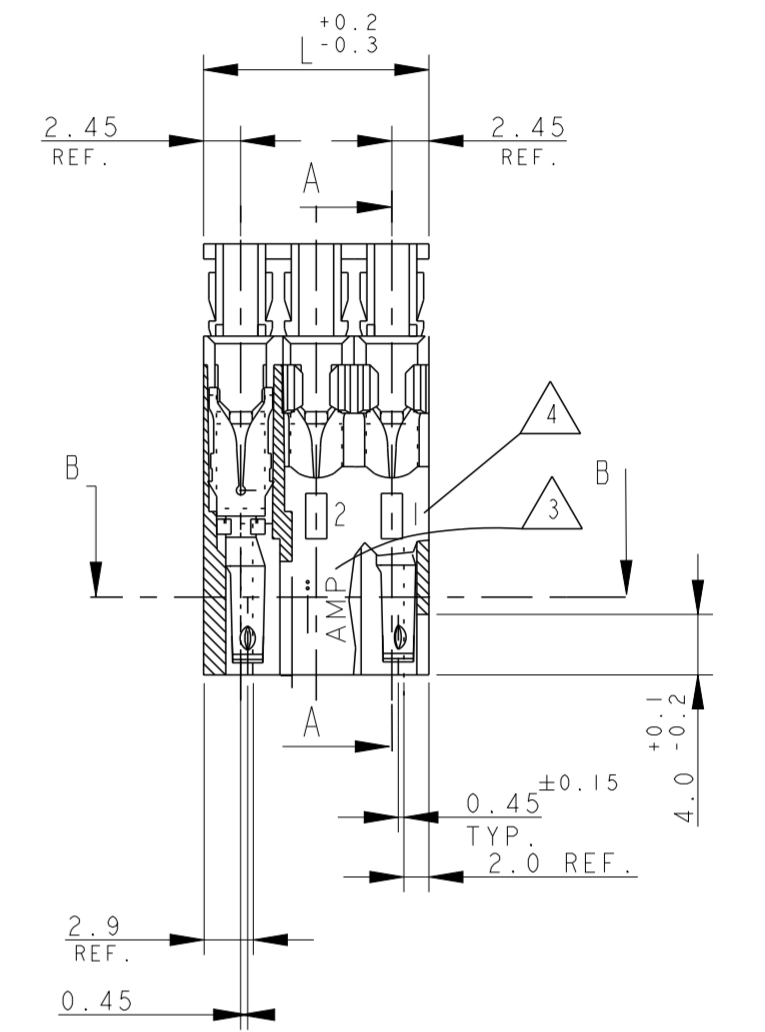
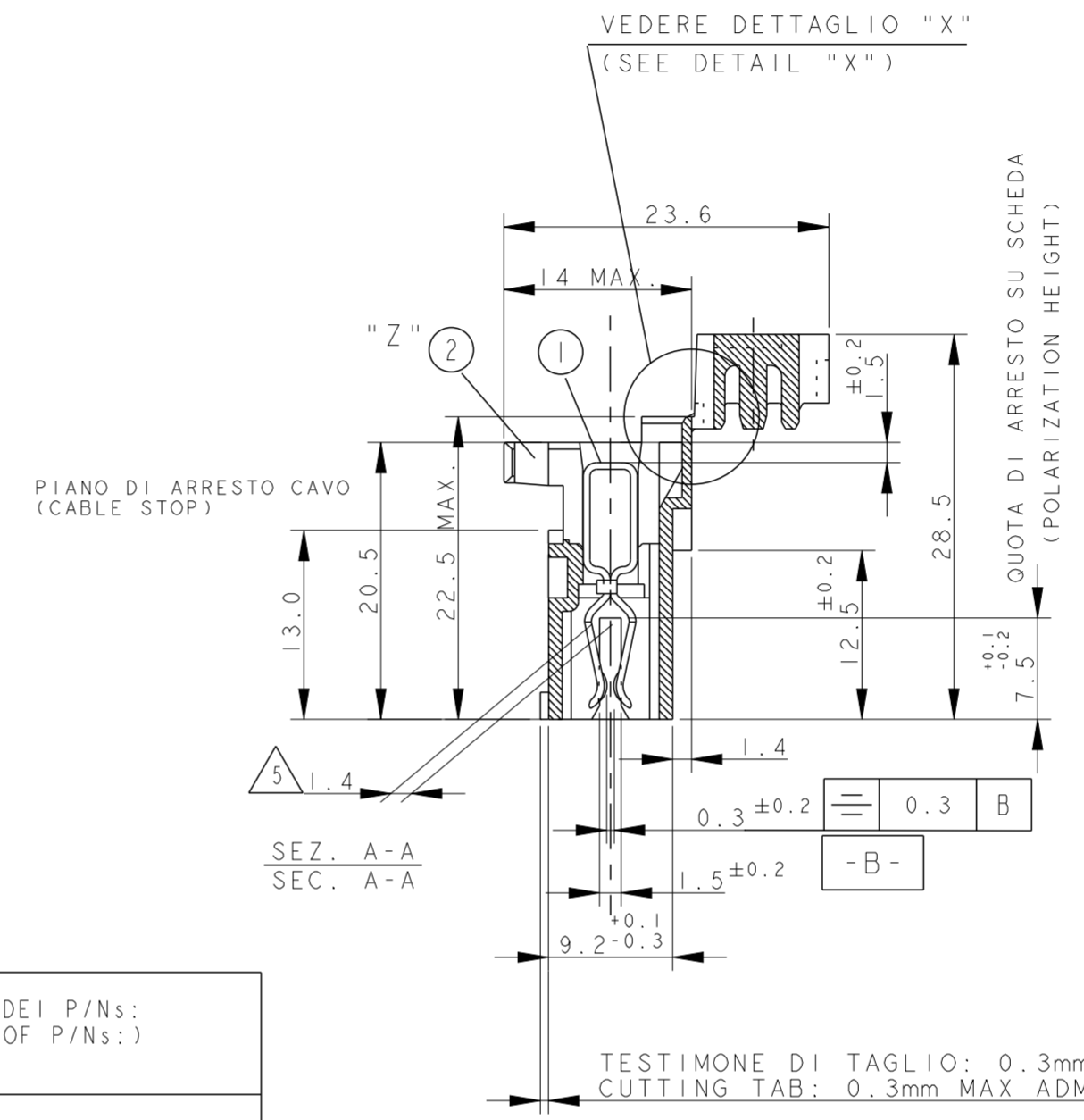
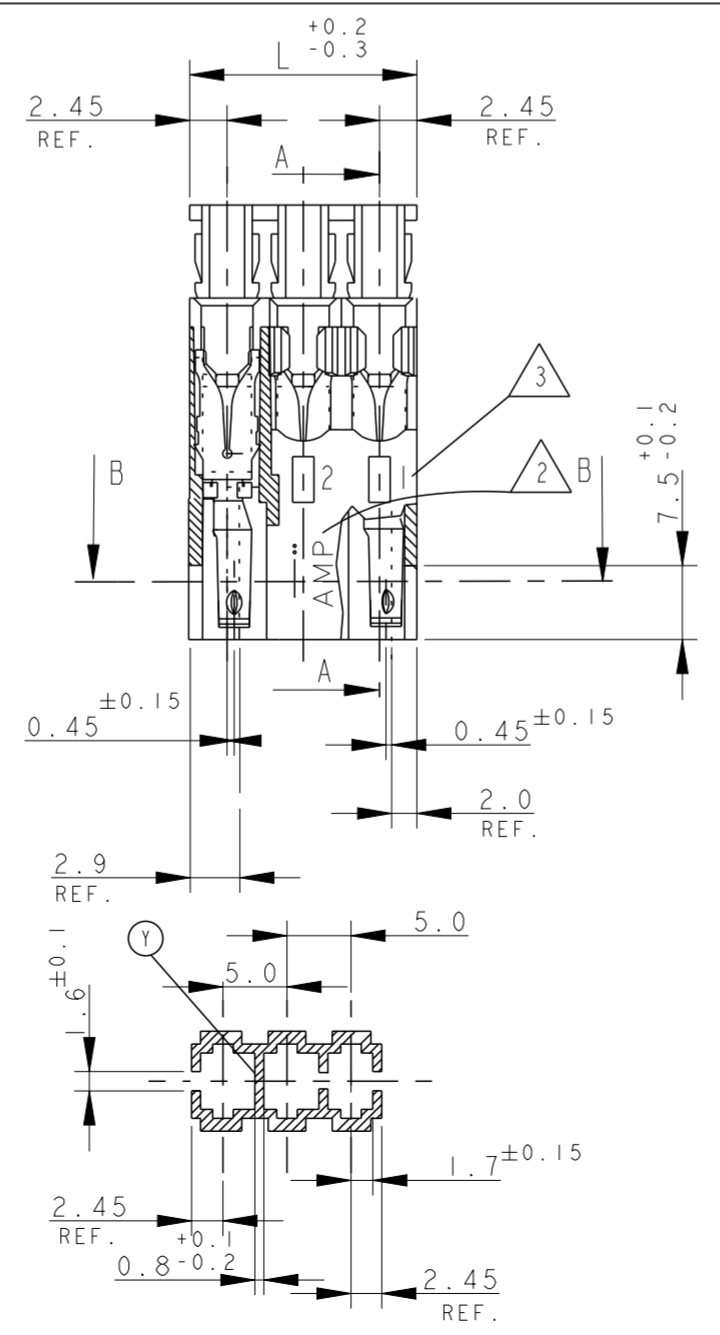
RAPPRESENTAZIONE GRAFICA DEI P/Ns:
 (GRAPHICAL REPRESENTATION OF P/Ns:)
 x-282043-2 and x-282043-3



RAPPRESENTAZIONE GRAFICA DEI P/Ns:
 (GRAPHICAL REPRESENTATION OF P/Ns:)
 x-282235-2 and x-282235-3



RAPPRESENTAZIONE GRAFICA DEI P/Ns:
 (GRAPHICAL REPRESENTATION OF P/Ns:)
 x-284546-1



USCITA CAVI IN ALTO
 (CABLE EXIT IS UP)

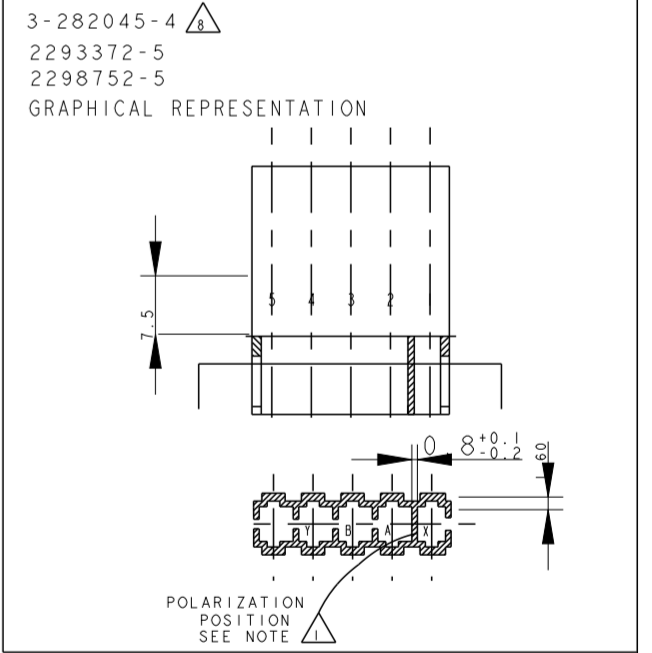
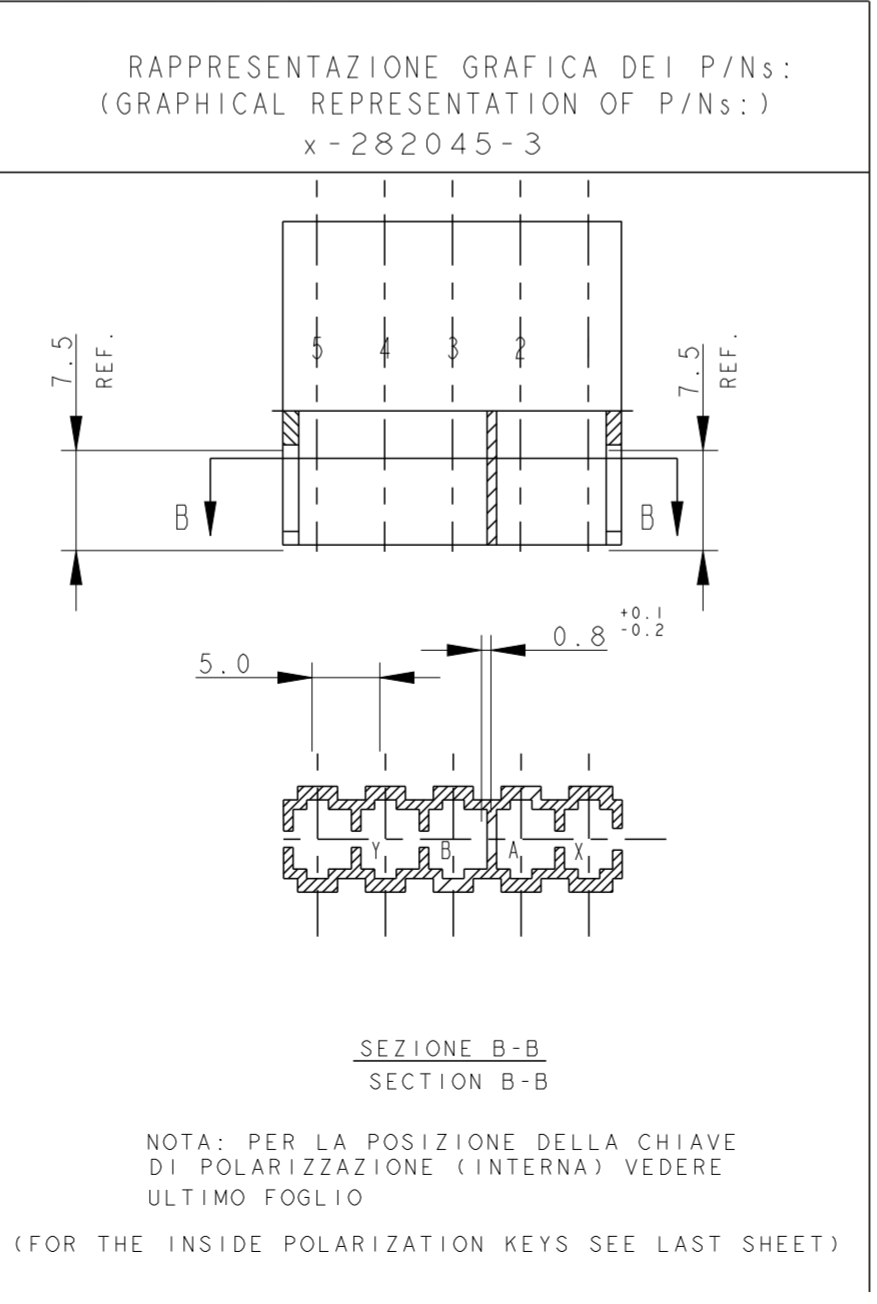
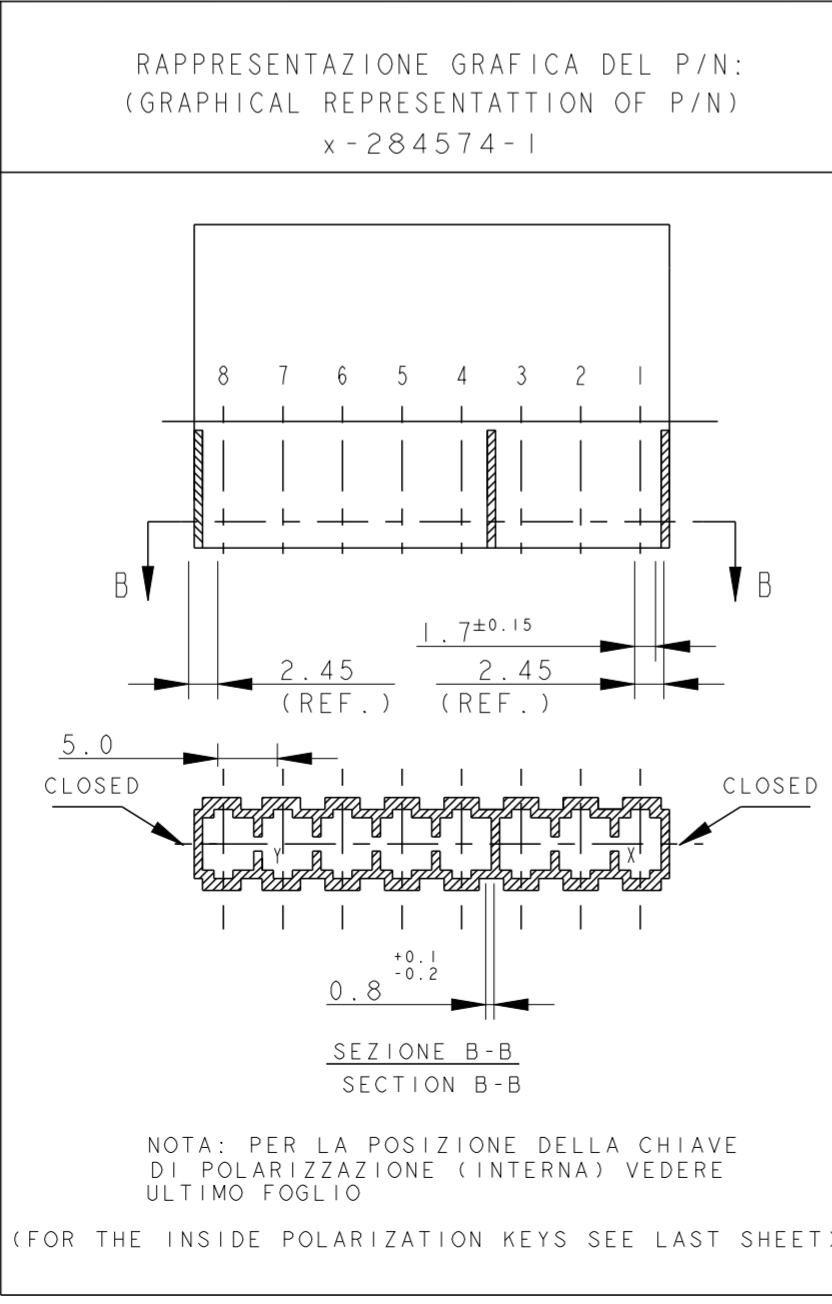
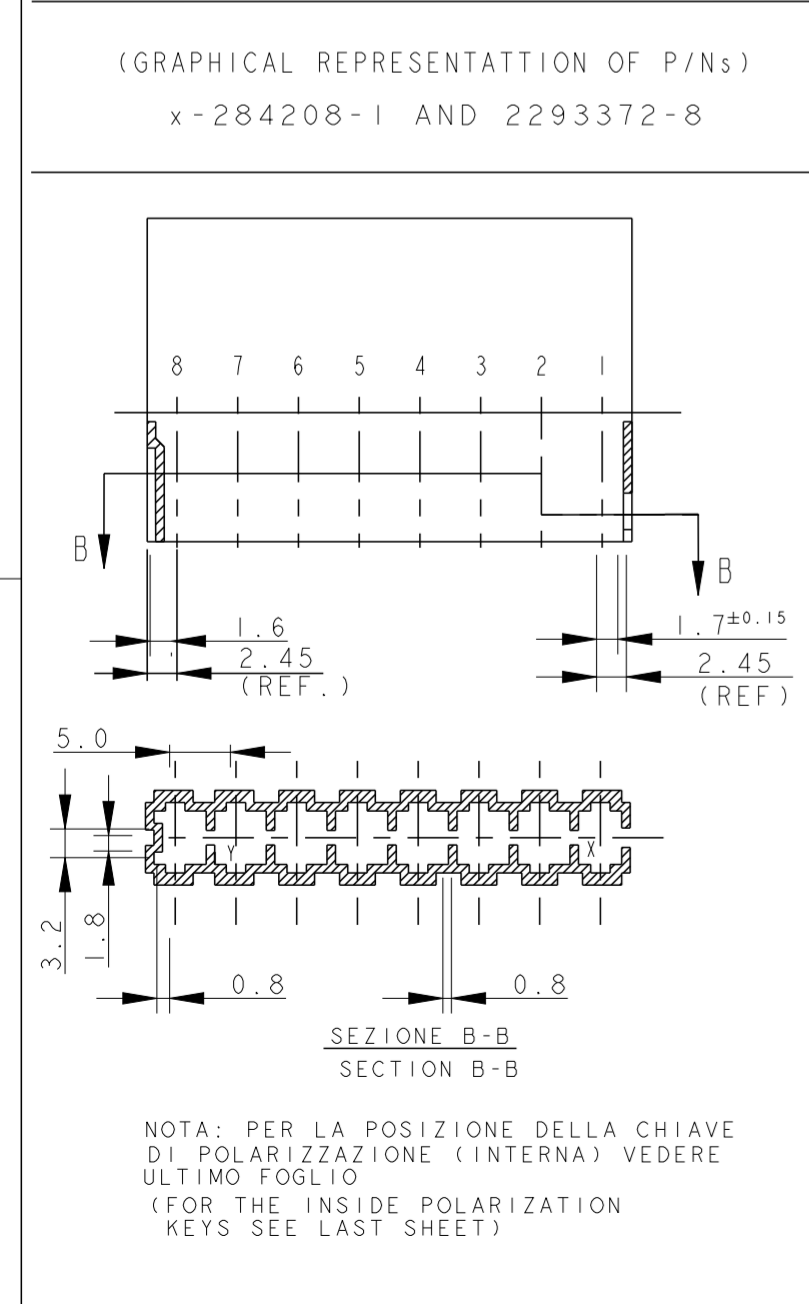
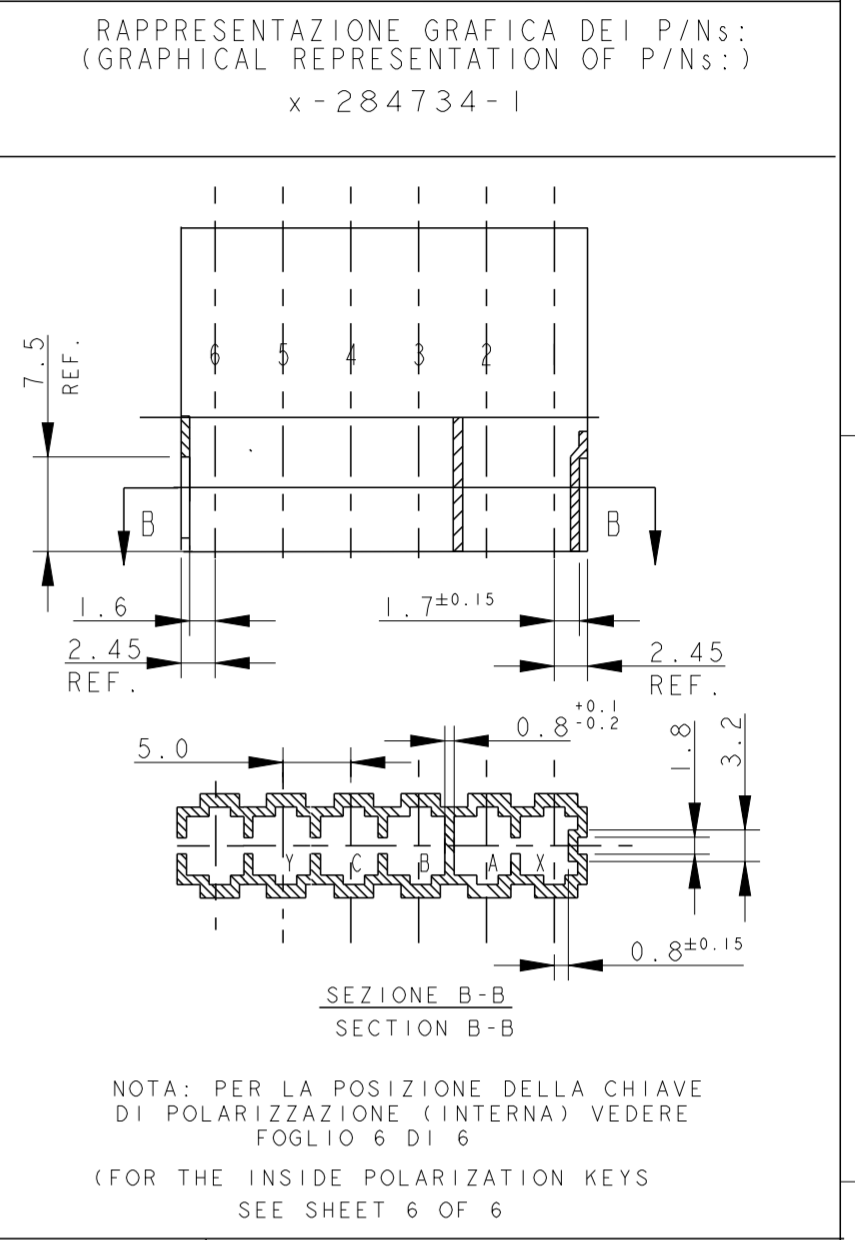
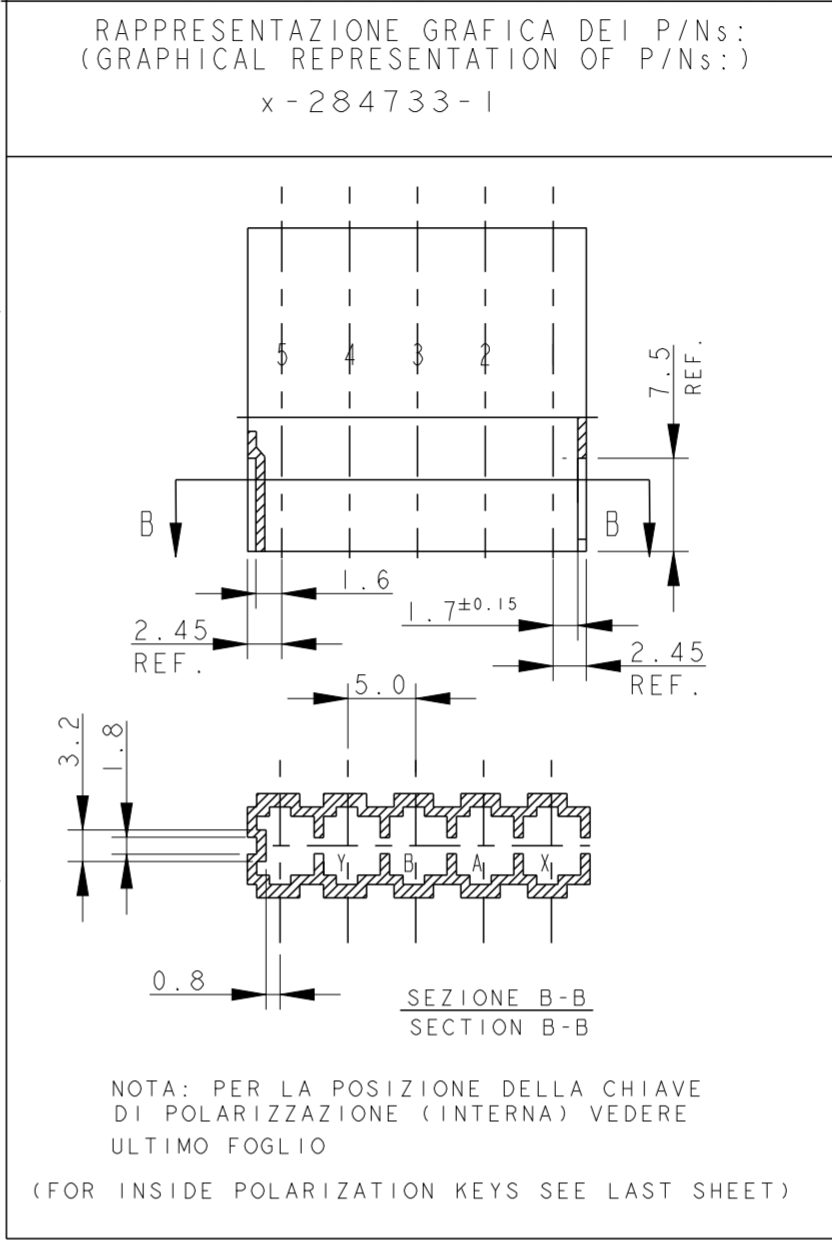
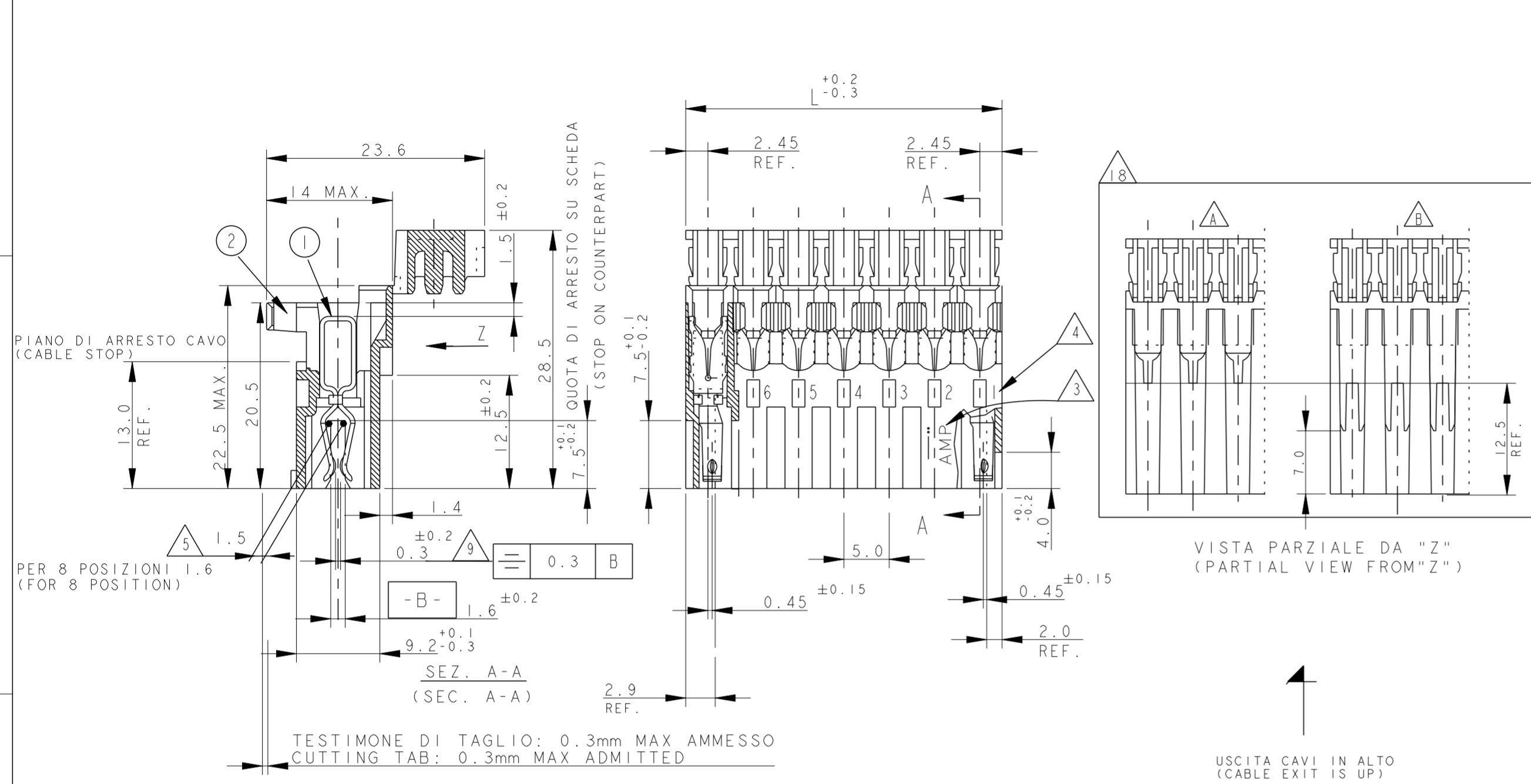
7) SEE LATER SHEETS FOR PN TABLES

10) PER LE DIMENSIONI DELLE DIME DEL CIRCUITO STAMPATO
 VEDERE FOGLIO 5
 (FOR PCB LAYOUT AND DIMENSIONS SEE SHEET 5)

| | | | | | |
|---|--|----------------------------------|---------------------|--|--|
| THIS DRAWING IS A CONTROLLED DOCUMENT. | | DWN C. CORDOLA 23 JUL 1996 | TE Connectivity | NAME | |
| DIMENSIONS: mm | | CHK G. TURCO 23 JUL 1996 | | MONO-SHAPE, MK1 PCB CONNECTOR 2-12 POS. | |
| TOLERANCES UNLESS OTHERWISE SPECIFIED: | | APVD G. TURCO 23 JUL 1996 | | SIZE | |
| 0 PLC ± 0.3 1 PLC ± 0.3 2 PLC ± 0.3 3 PLC ± 0.3 4 PLC ± 0.3 | | PRODUCT SPEC 108-20067 | | CAGE CODE | |
| MATERIAL CONNETTORE NYLON (CONNECTOR NYLON) CONTATTO OTTONE (CONTACT BRASS) | | APPLICATION SPEC 114-20018 | DRAWING NO | | |
| FINISH STAGNATO (TIN PLATED) | | WEIGHT | RESTRICTED TO | | |
| | | Customer Drawing | A2 1 | | |
| | | SCALE | SHEET 2 OF 10 | | |
| | | | REV 224 | | |

THIS DRAWING IS UNPUBLISHED. RELEASED FOR PUBLICATION
 © COPYRIGHT copyright.d8re- ALL RIGHTS RESERVED.

| LOC | | DIST | | REVISIONS | | | |
|-----|-----|-------------|------|-----------|------|--|--|
| P | LTR | DESCRIPTION | DATE | DWN | APVD | | |
| | | SEE SHEET 1 | | | | | |



7) SEE LATER SHEETS FOR PN TABLES



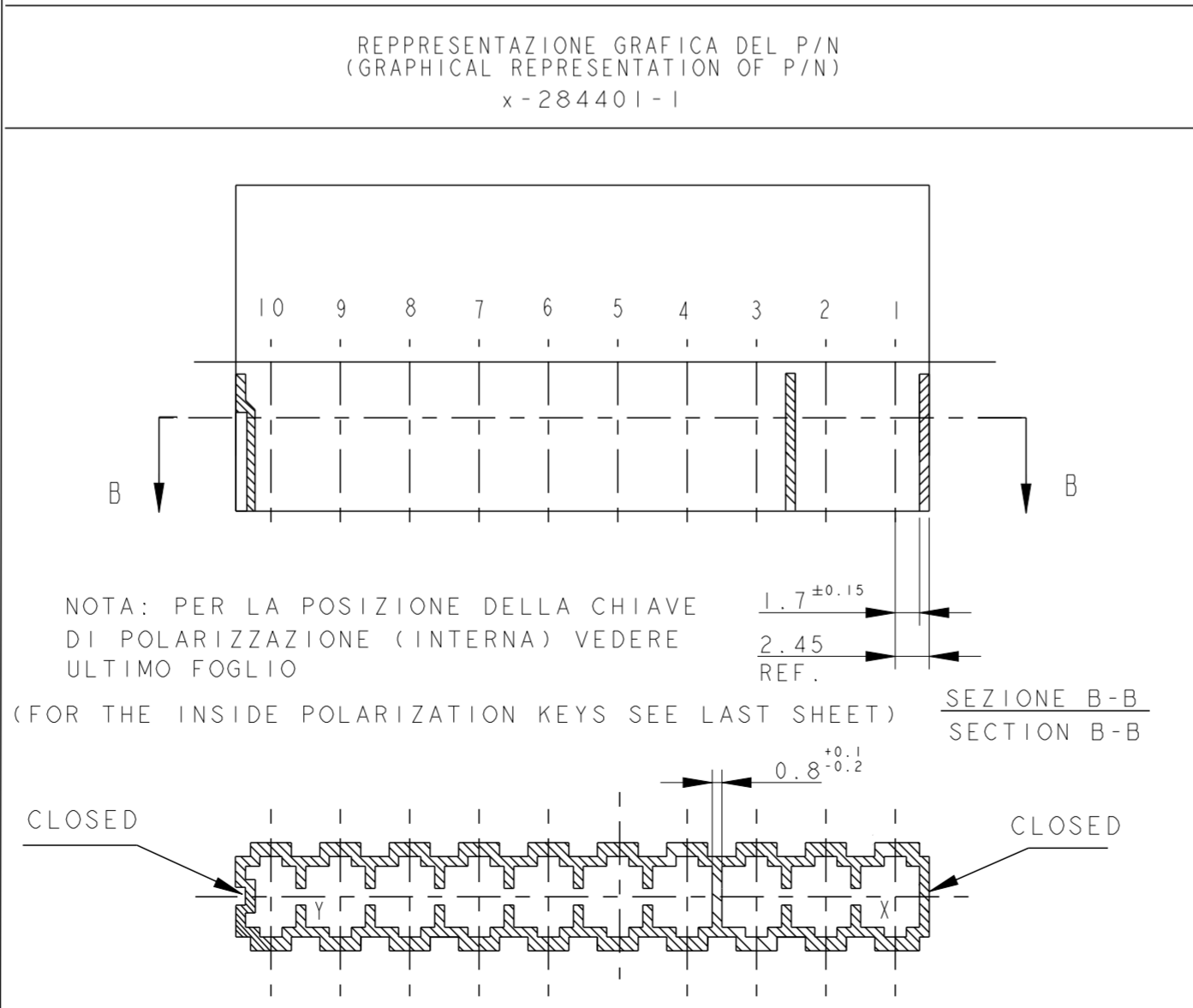
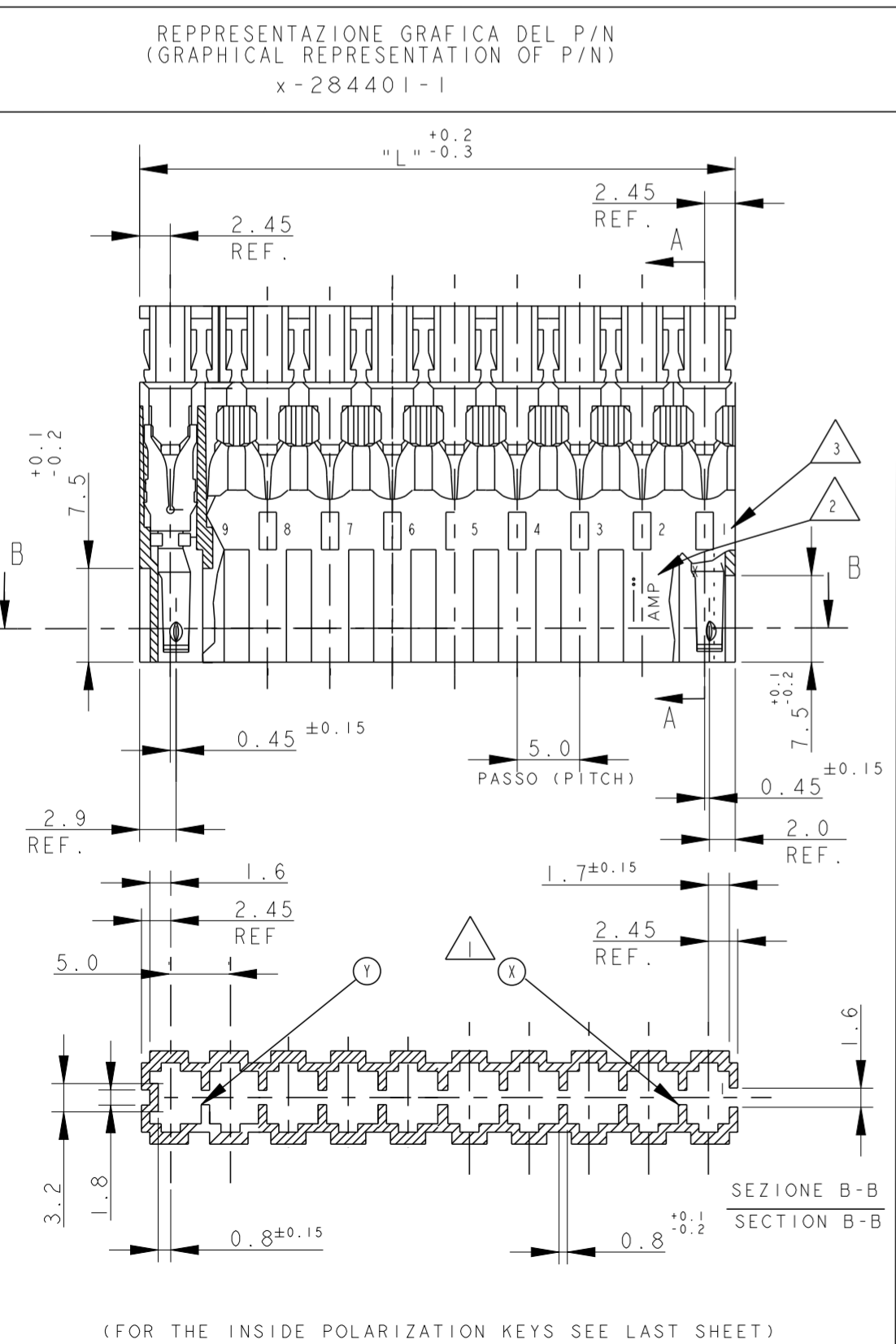
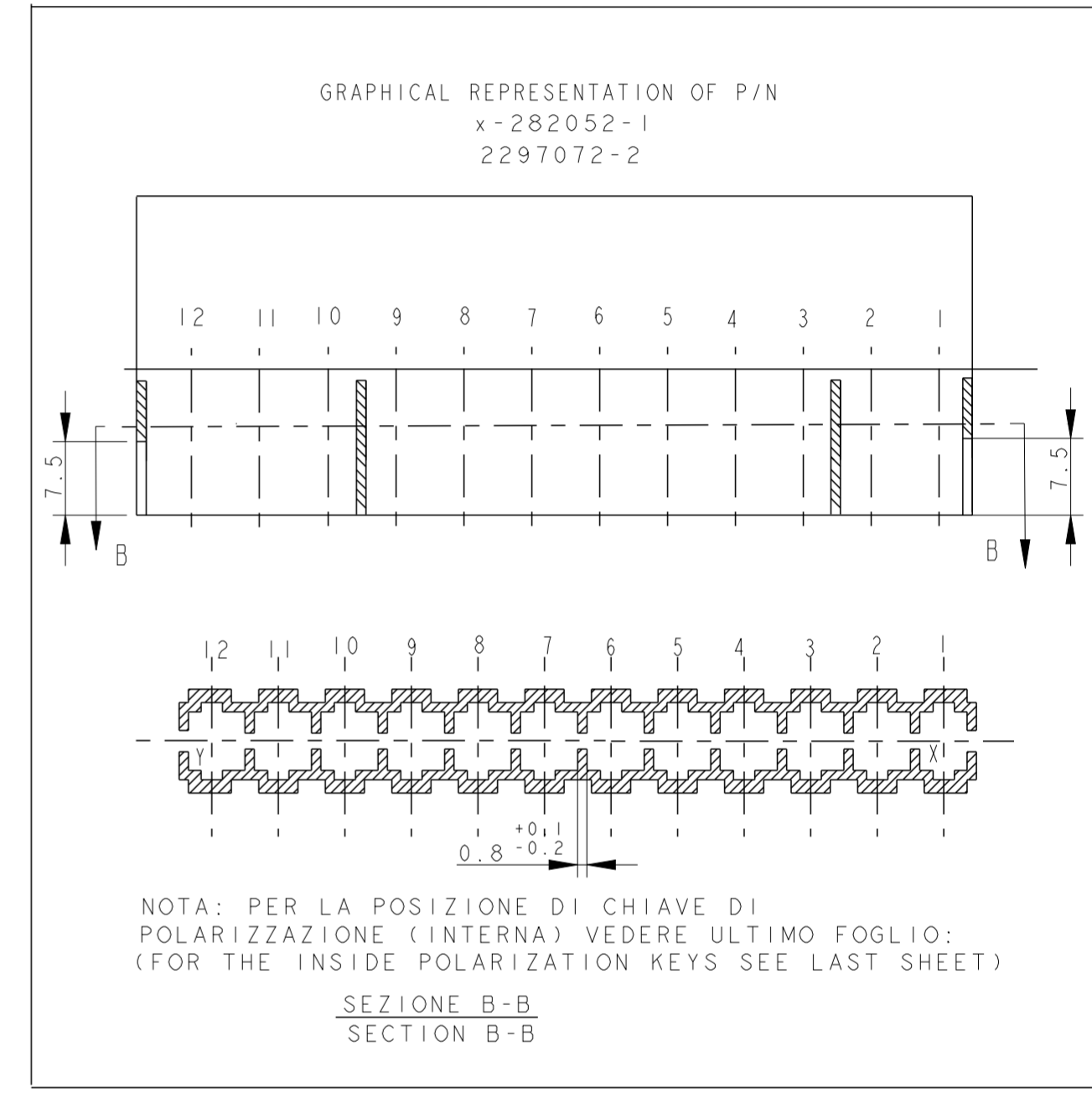
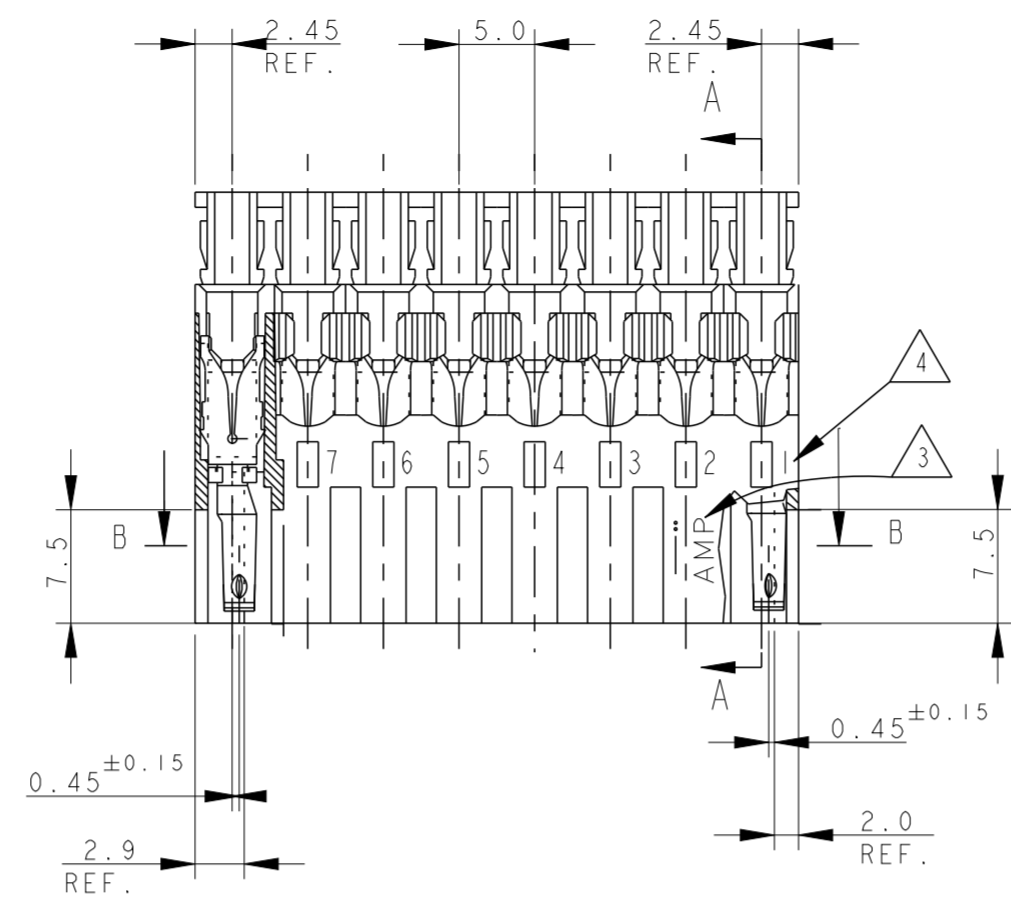
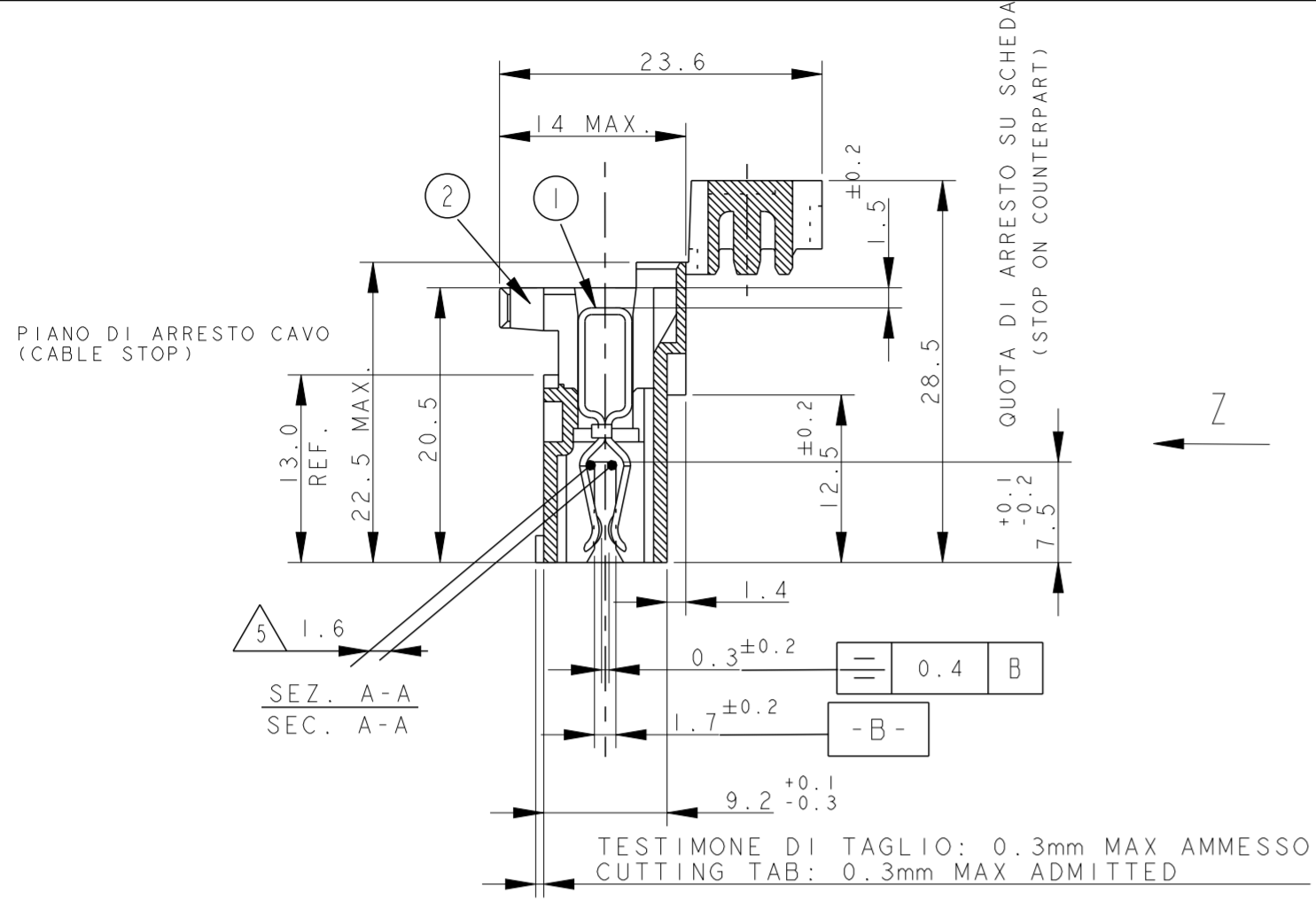
10) PER LE DIMENSIONI DELLE DIME DEL CIRCUITO STAMPATO VEDERE FOGLIO 5 (FOR PCB LAYOUT AND DIMENSIONS SEE SHEET 5)

PROFILO "A" E' VALIDO PER OGNI CONFIGURAZIONE, PROFILO "B" E' AMMESSO SOLO PER I PN IDENTIFICATI IN TABELLA DALLA PRESENTE NOTA (SHAPE "A" VALID FOR EACH CONFIGURATION, SHAPE "B" IS PERMITTED ONLY ON PN WHERE THIS NOTE IS SHOWN ON RELEVANT DRAWING TABLE)

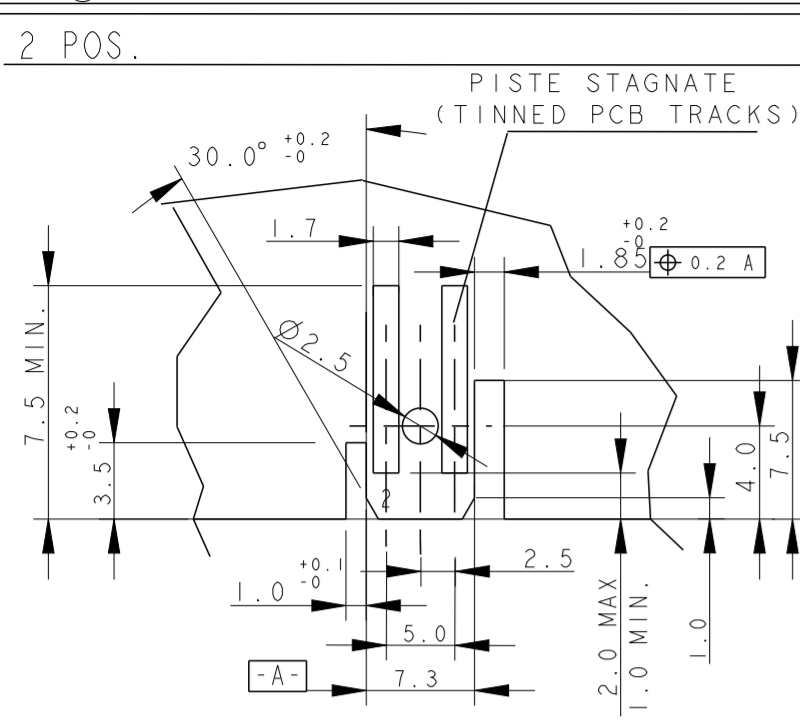
| | | | | | |
|--|---|------------------|-----------------------|------------|---------------|
| THIS DRAWING IS A CONTROLLED DOCUMENT. | | DWN | 23JUL1996 | C. CORDOLA | |
| DIMENSIONS: mm | | CHK | 23JUL1996 | G. TURCO | |
| TOLERANCES UNLESS OTHERWISE SPECIFIED: | | APVD | 23JUL1996 | G. TURCO | |
| 0 PLC ± 0.3 | 1 PLC ± 0.3 | PRODUCT SPEC | 108-20067 | | |
| 2 PLC ± 0.3 | 3 PLC ± 0.3 | APPLICATION SPEC | 114-20018 | | |
| 4 PLC ± 0.3 | ANGLES ± 2° | WEIGHT | - | | |
| MATERIAL | CONNETTORE NYLON (CONNECTOR NYLON) CONTATTO OTTONE (CONTACT BRASS) | FINISH | STAGNATO (TIN PLATED) | | |
| Customer Drawing | | SCALE | - | | SHEET 3 OF 10 |
| RESTRICTED TO | | DRAWING NO | | G-282042 | |
| - | | SIZE | | A2 | |
| - | | CAGE CODE | | 1 | |
| REV 224 | | DATE | | 23JUL1996 | |

THIS DRAWING IS UNPUBLISHED. RELEASED FOR PUBLICATION
 © COPYRIGHT copyright_dbfe- ALL RIGHTS RESERVED.

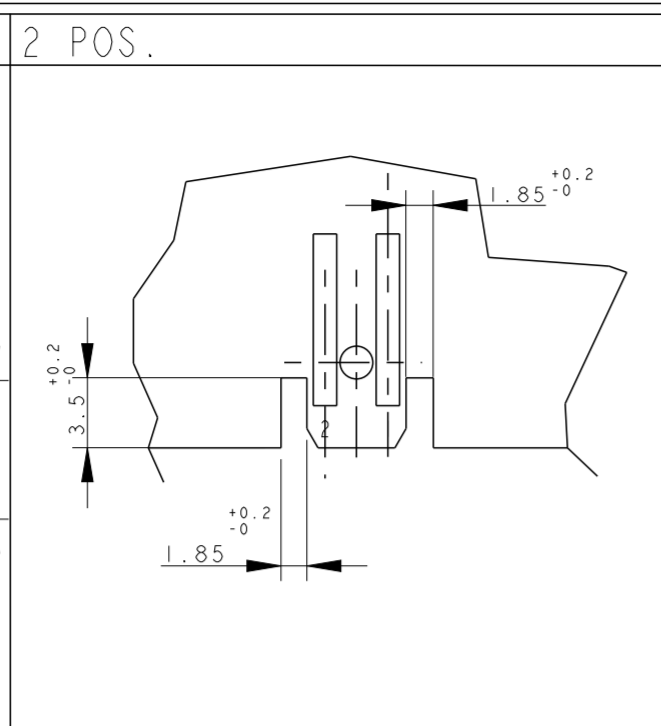
| LOC | | DIST | | REVISIONS | | | |
|-----|-----|-------------|------|-----------|------|--|--|
| P | LTR | DESCRIPTION | DATE | DWN | APVD | | |
| | | SEE SHEET 1 | | | | | |



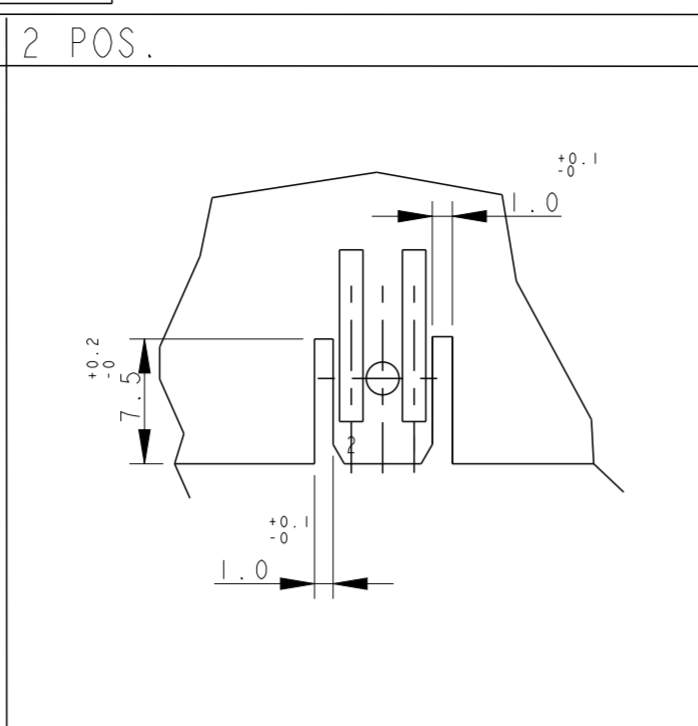
| | | | | | |
|--|--|--------------------------------|---------------------|--|--|
| THIS DRAWING IS A CONTROLLED DOCUMENT. | | DWN C. CORDOLA 23JUL1996 | TE Connectivity | NAME | |
| DIMENSIONS: mm | | CHK G. TURCO 23JUL1996 | | MONO-SHAPE, MK1 PCB CONNECTOR 2-12 POS. | |
| TOLERANCES UNLESS OTHERWISE SPECIFIED: | | APVD G. TURCO 23JUL1996 | PRODUCT SPEC | | |
| 0 PLC ±0.3 | | APPLICATION SPEC | | SIZE | |
| 1 PLC ±0.3 | | 108-20067 | | A2 | |
| 2 PLC ±0.3 | | 114-20018 | | CAGE CODE | |
| 3 PLC ±0.3 | | WEIGHT | | 1 | |
| 4 PLC ±0.3 | | Customer Drawing | | DRAWING NO | |
| ANGLES ±2° | | SCALE | | G-282042 | |
| FINISH STAGNATO (TIN PLATED) | | SHEET | | 4 OF 10 | |
| MATERIAL CONNETTORE NYLON (CONNECTOR NYLON) CONTATTO OTTONE (CONTACT BRASS) | | RESTRICTED TO | | REV 224 | |



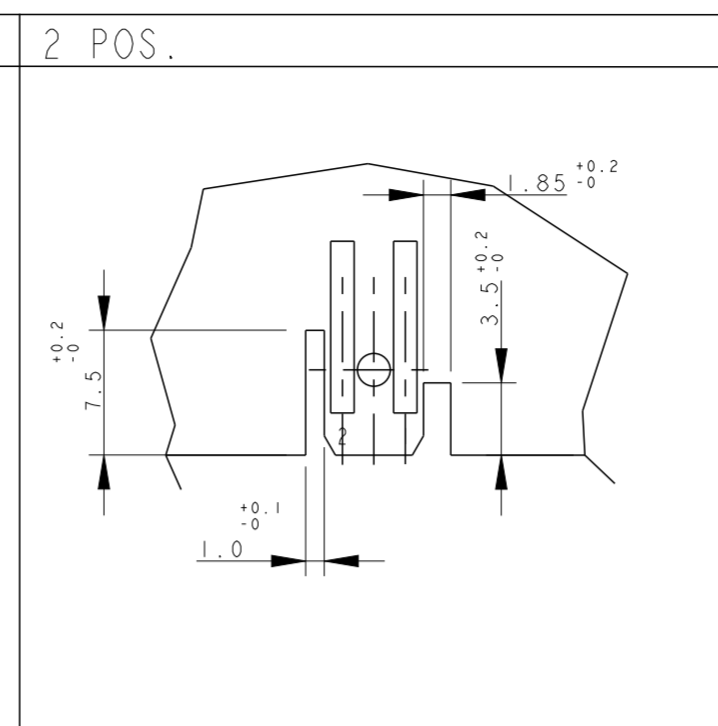
DIMA DEL PCB PER PN (PCB LAYOUT FOR PN.S)
x-282042-1



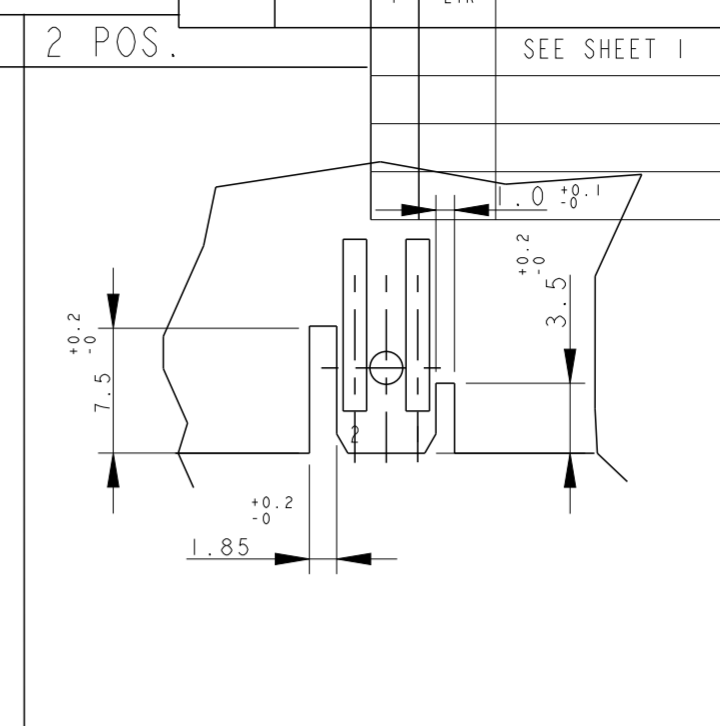
DIMA DEL PCB PER PN (PCB LAYOUT FOR PN.S)
x-282042-2



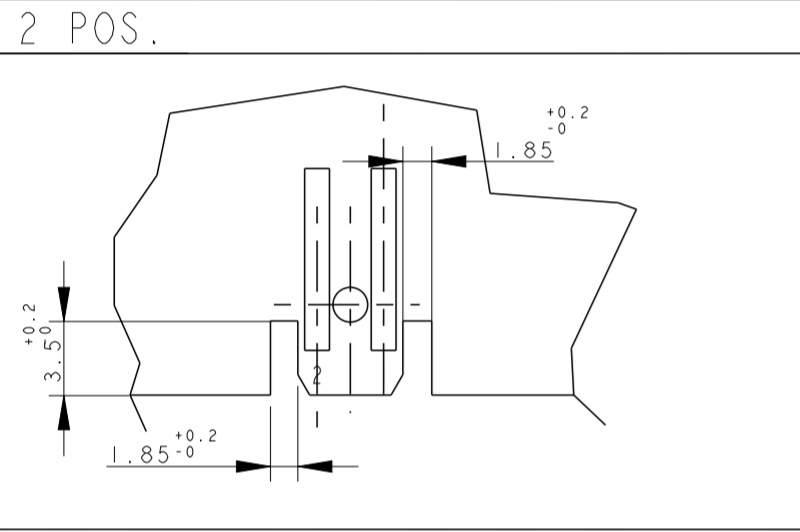
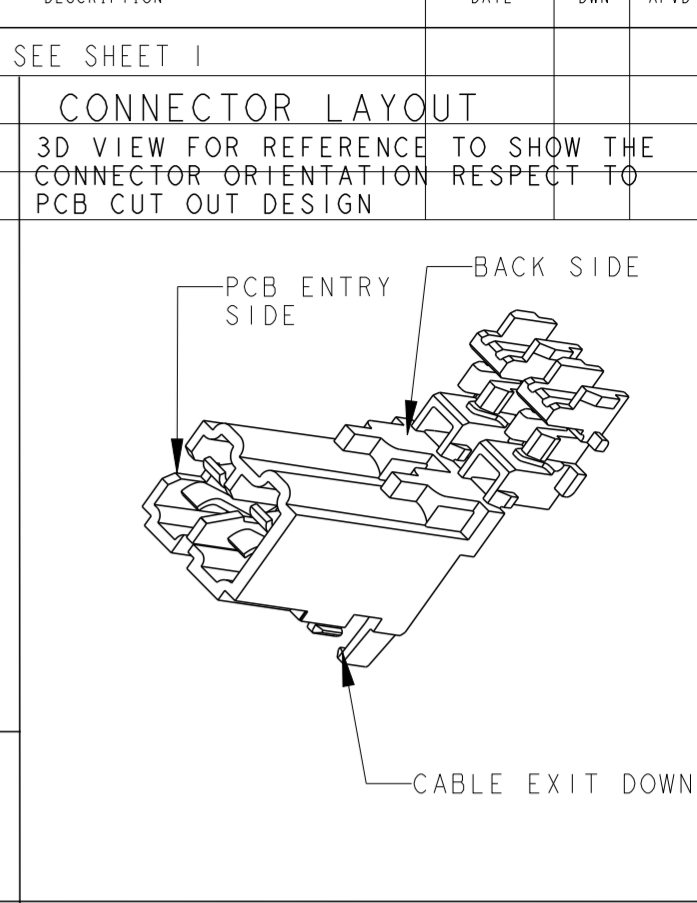
DIMA DEL PCB PER PN (PCB LAYOUT FOR PN.S)
x-282042-3 & x-2293372-2
& x-2298752-2



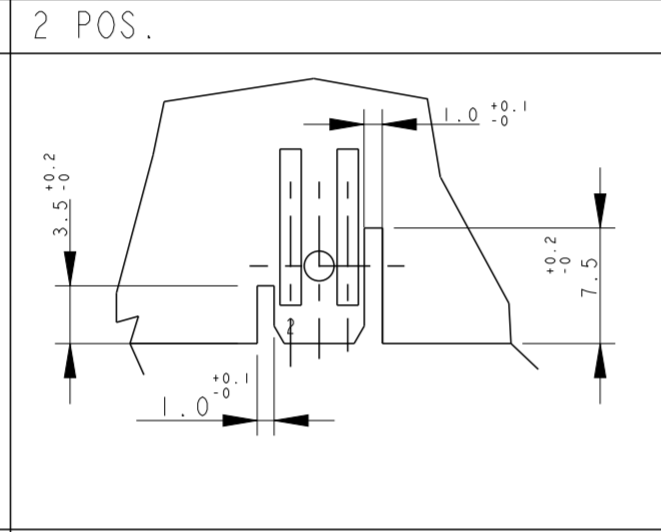
DIMA DEL PCB PER PN (PCB LAYOUT FOR PN.S)
x-282042-4



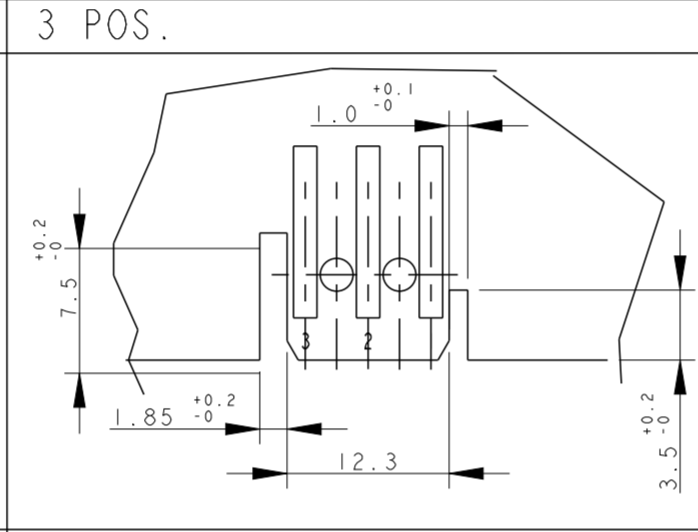
DIMA DEL PCB PER PN (PCB LAYOUT FOR PN.S)
x-282042-5



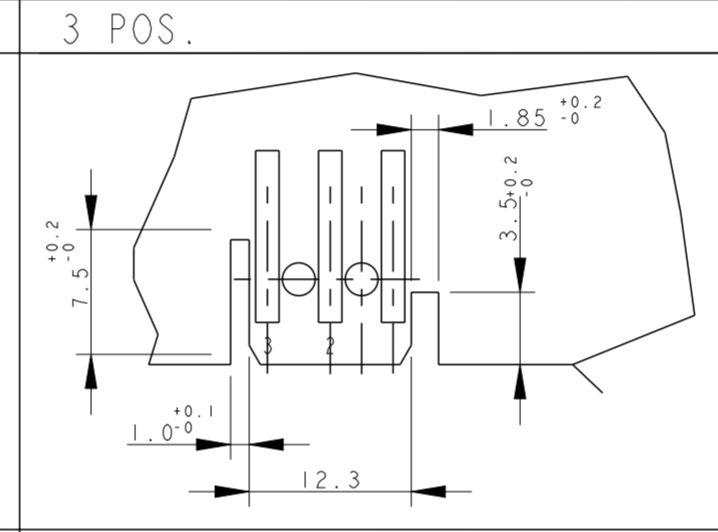
DIMA DEL PCB PER PN (PCB LAYOUT FOR PN.S)
x-284561-1



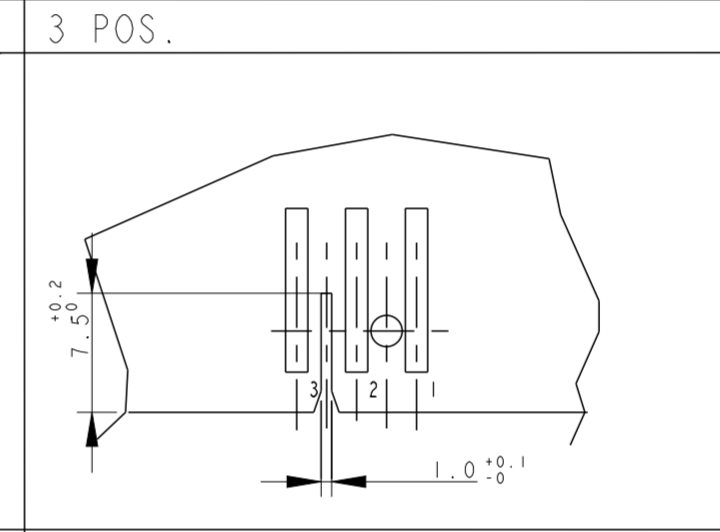
DIMA DEL PCB PER PN (PCB LAYOUT FOR PN.S)
x-282042-6



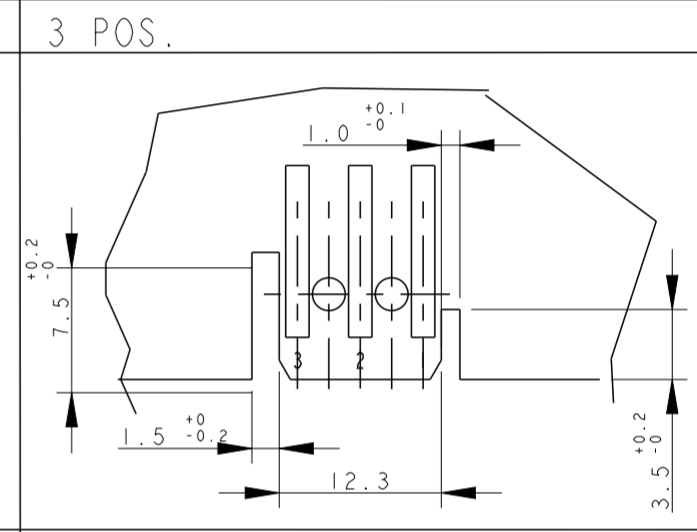
DIMA DEL PCB PER PN (PCB LAYOUT FOR PN.S)
x-282043-2 and x-282043-3



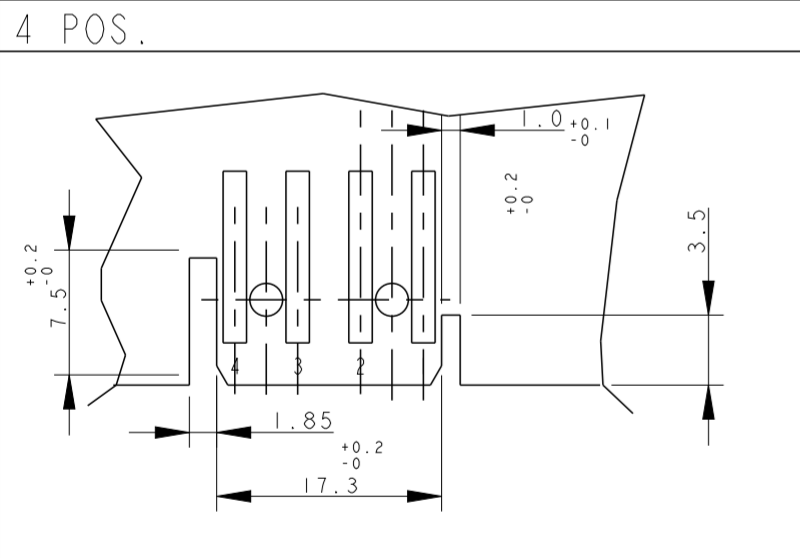
DIMA DEL PCB PER PN (PCB LAYOUT FOR PN.S)
x-282235-2 and x-282235-3



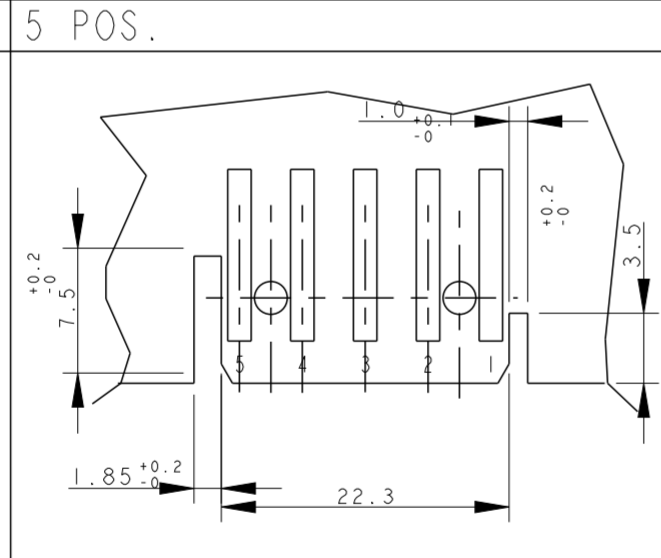
DIMA DEL PCB PER PN (PCB LAYOUT FOR PN.S)
x-284546-1



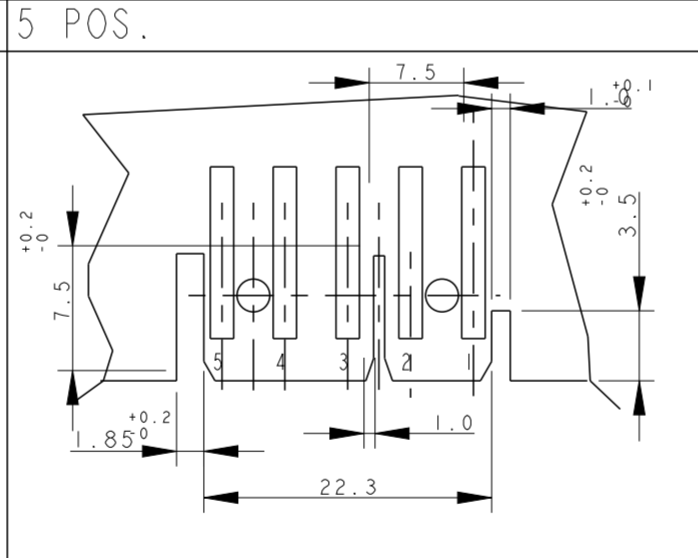
DIMA DEL PCB PER PN (PCB LAYOUT FOR PN.S)
284546-2



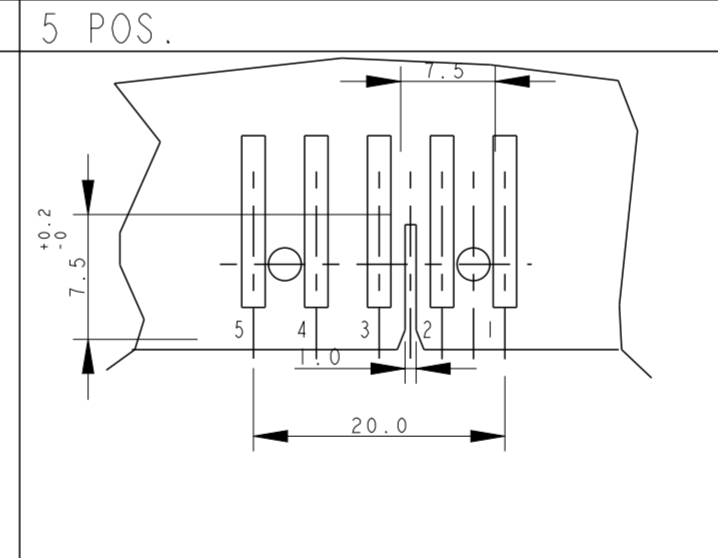
PCB LAYOUT FOR PN.S
x-282044-1 AND 2293372-4



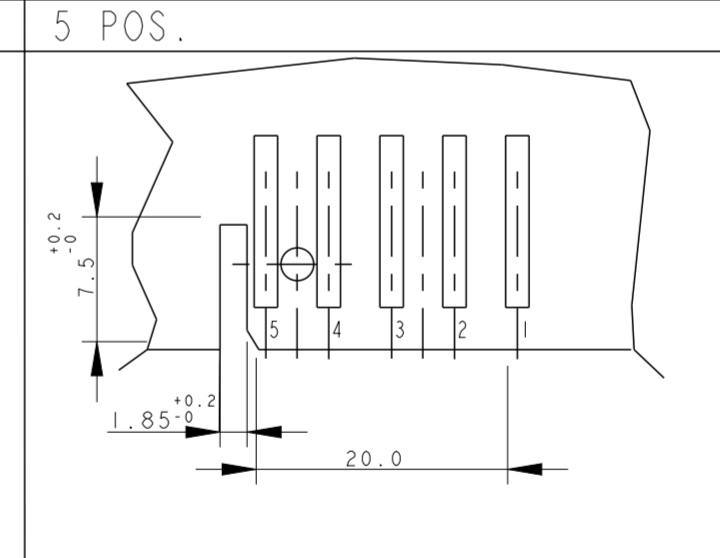
DIMA DEL PCB PER PN (PCB LAYOUT FOR PN.S)
x-282045-1



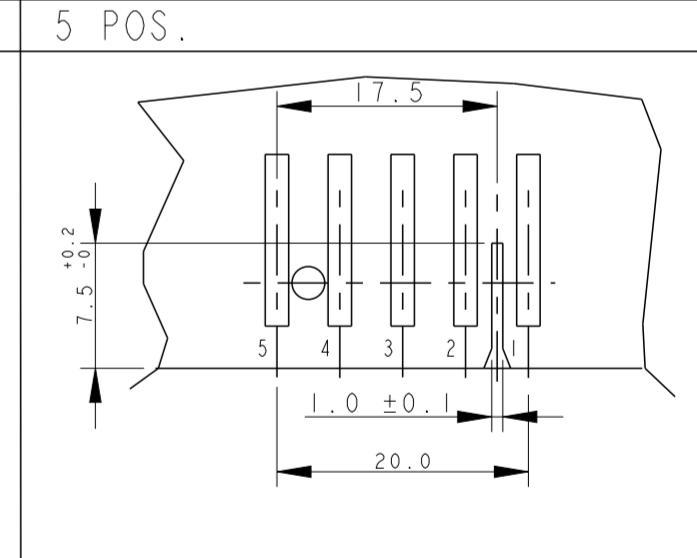
DIMA DEL PCB PER PN (PCB LAYOUT FOR PN.S)
x-282045-2



DIMA DEL PCB PER PN (PCB LAYOUT FOR PN.S)
x-282045-3



DIMA DEL PCB PER PN (PCB LAYOUT FOR PN.S)
x-284733-1

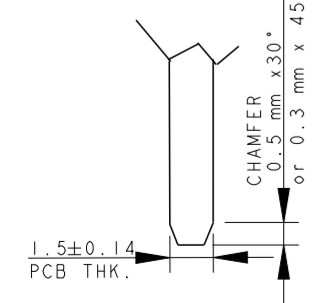


PCB LAYOUT FOR PN.S
3-282045-4 2293372-5
2298752-5

- SUGGESTED SHAPE FOR PCB MATING SIDE, CAN BE ALSO OBTAINED BY SCORING PROCESS-

1) LE DIMENSIONI TIPICHE RIFERITE ALLE GEOMETRIE COMUNI A TUTTE LE DIME SONO INDICATE SOLO NEL DETTAGLIO RELATIVO AL PN 1-282042.
(PCB GEOMETRY TYPICAL DIMENSIONS ARE SHOWN ON SKETCH FOR PN 1-282042-1)

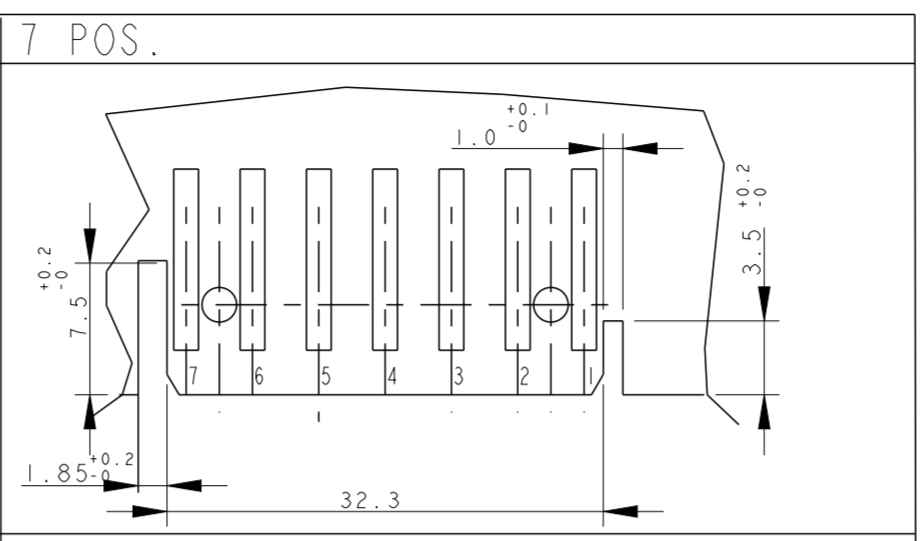
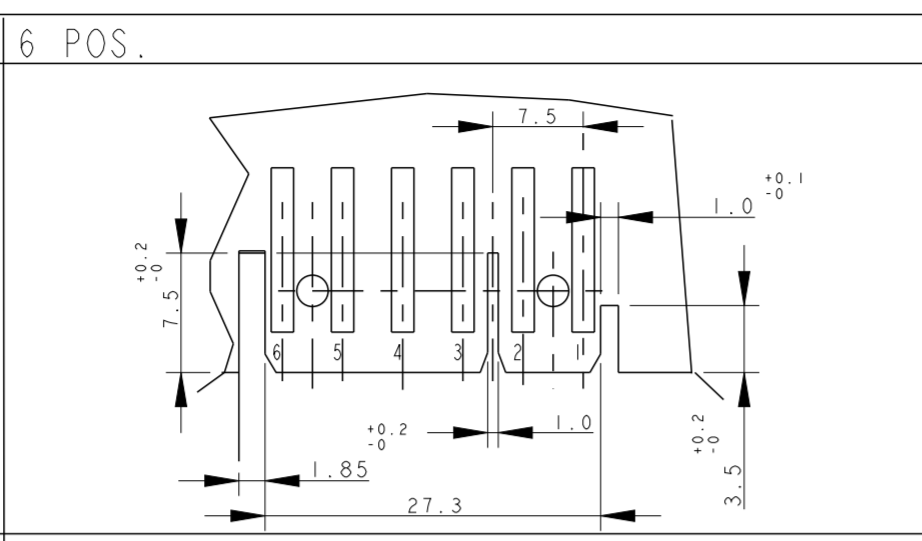
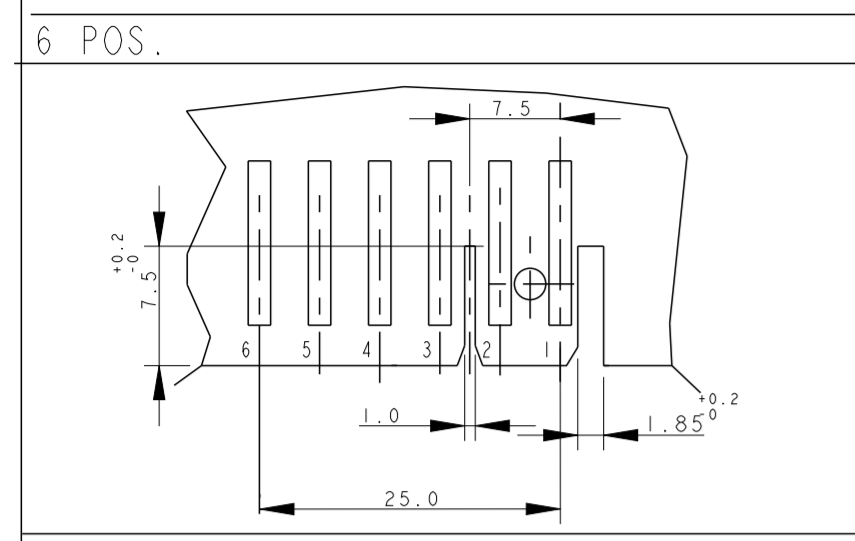
2) LE DIME DEI PCB ACCOPPIANO CON I CONNETTORI INSERITI CO USCITA CAVI VERSO IL BASSO
(PCB LAYOUT AS SHOWN WILL MATE WITC CONNECTORS HAVING CABLE EXIT DOWN)



| | | | | | | | |
|---|--|----------------------------------|---|------------------|-----------|------------|---------------|
| THIS DRAWING IS A CONTROLLED DOCUMENT. | | DWN C. CORDOLA 23 JUL 1996 | TE Connectivity NAME MONO-SHAPE, MK1 PCB CONNECTOR 2-12 POS. | SIZE | CAGE CODE | DRAWING NO | RESTRICTED TO |
| DIMENSIONS: | TOLERANCES UNLESS OTHERWISE SPECIFIED: | CHK G. TURCO 23 JUL 1996 | | A2 | 1 | G-282042 | - |
| mm | 0 PLC ±0.3 1 PLC ±0.3 2 PLC ±0.3 3 PLC ±0.3 4 PLC ±0.3 ANGLES ±2° | APVD G. TURCO 23 JUL 1996 | | PRODUCT SPEC | 108-20067 | 114-20018 | - |
| MATERIAL CONNETTORE NYLON (CONNECTOR NYLON) CONTATTO OTTONE (CONTACT BRASS) | | FINISH STAGNATO (TIN PLATED) | | APPLICATION SPEC | 108-20067 | 114-20018 | - |
| | | WEIGHT | Customer Drawing | SCALE | SHEET | 5 OF 10 | REV 224 |

THIS DRAWING IS UNPUBLISHED. RELEASED FOR PUBLICATION
 © COPYRIGHT copyright.dBTe- ALL RIGHTS RESERVED.

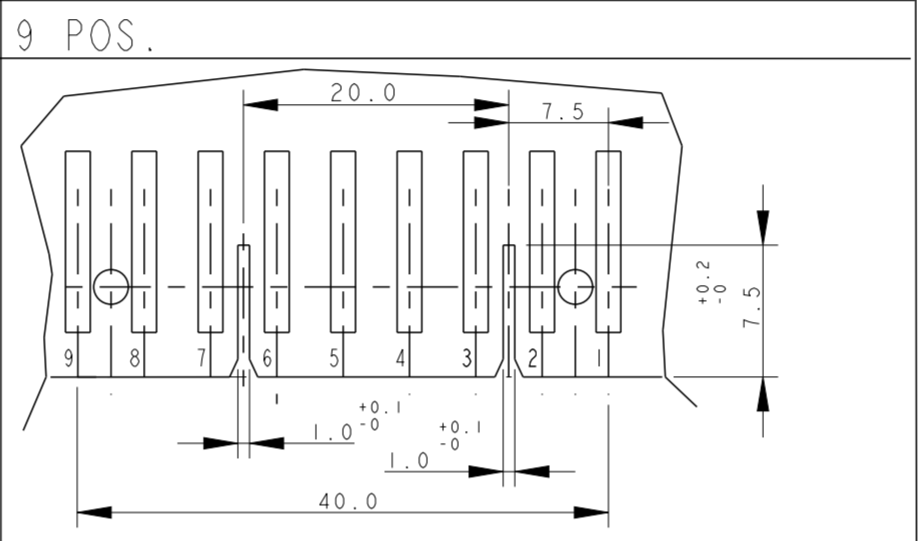
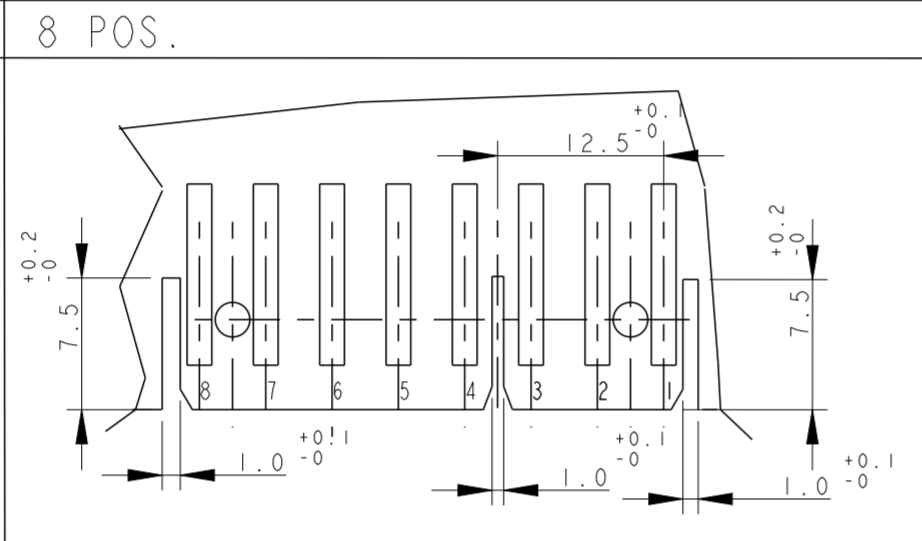
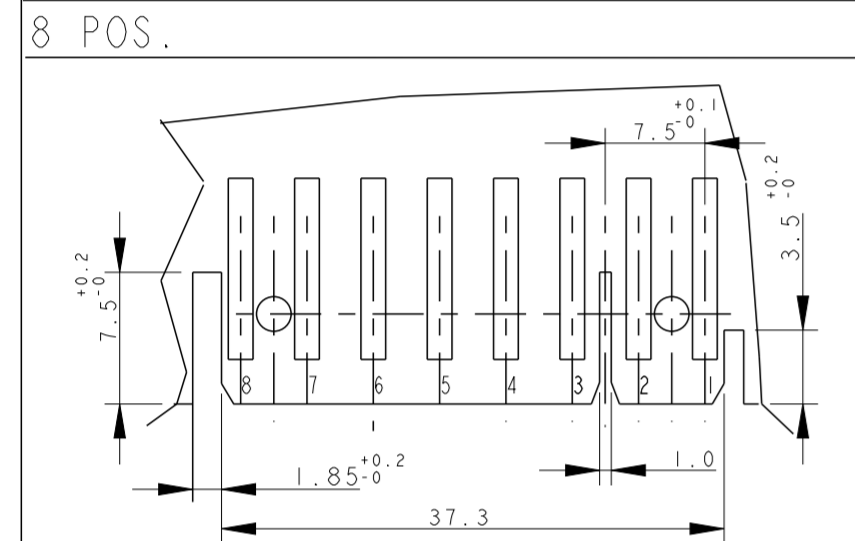
| LOC | | DIST | | REVISIONS | | | |
|-----|-----|-------------|------|-----------|------|--|--|
| P | LTR | DESCRIPTION | DATE | DWN | APVD | | |
| | | SEE SHEET 1 | | | | | |



DIMA DEL PCB PER PN
(PCB LAYOUT FOR PN.S)
x-284734-1

DIMA DEL PCB PER PN
(PCB LAYOUT FOR PN.S)
x-282046-1

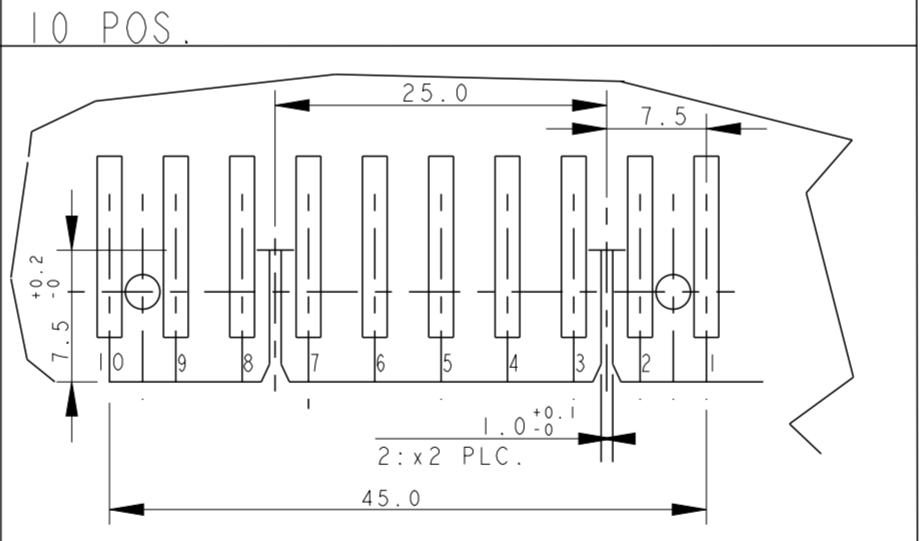
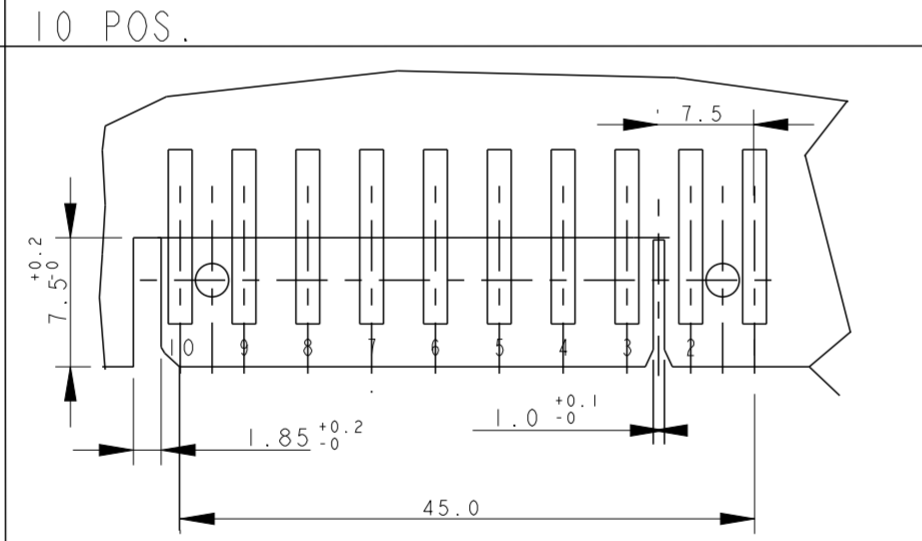
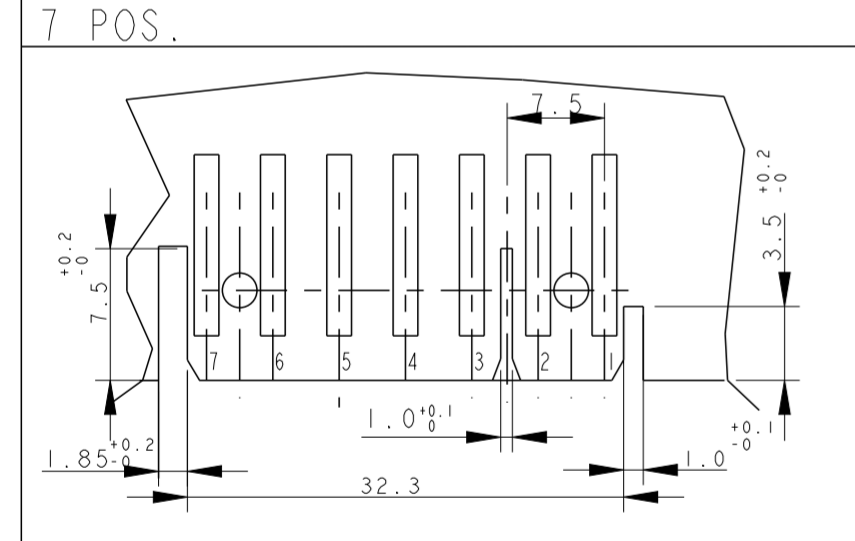
DIMA DEL PCB PER PN
(PCB LAYOUT FOR PN.S)
x-282047-1, 2293372-7 AND 2298752-7



PCB LAYOUT FOR PN.S
x-284208-1 AND 2293372-8

DIMA DEL PCB PER PN
(PCB LAYOUT FOR PN.S)
x-284574-1

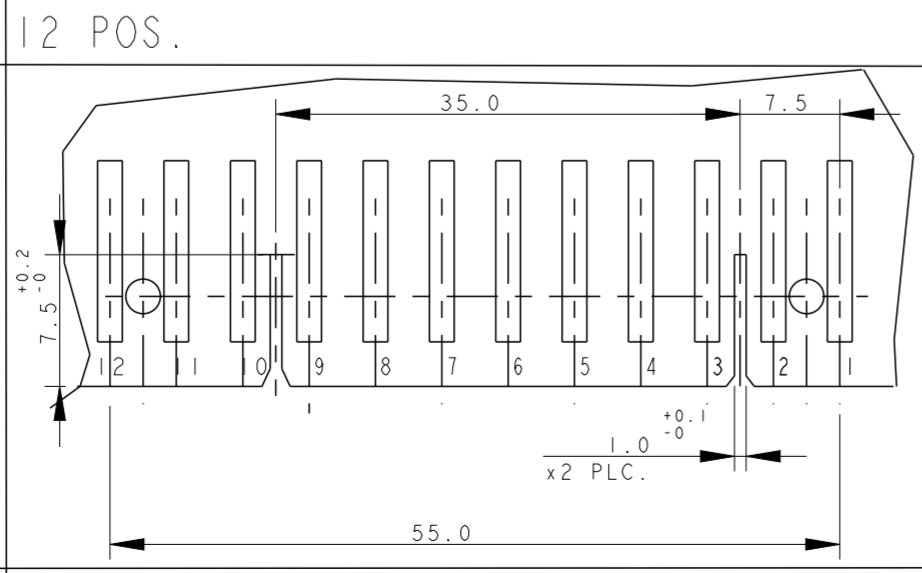
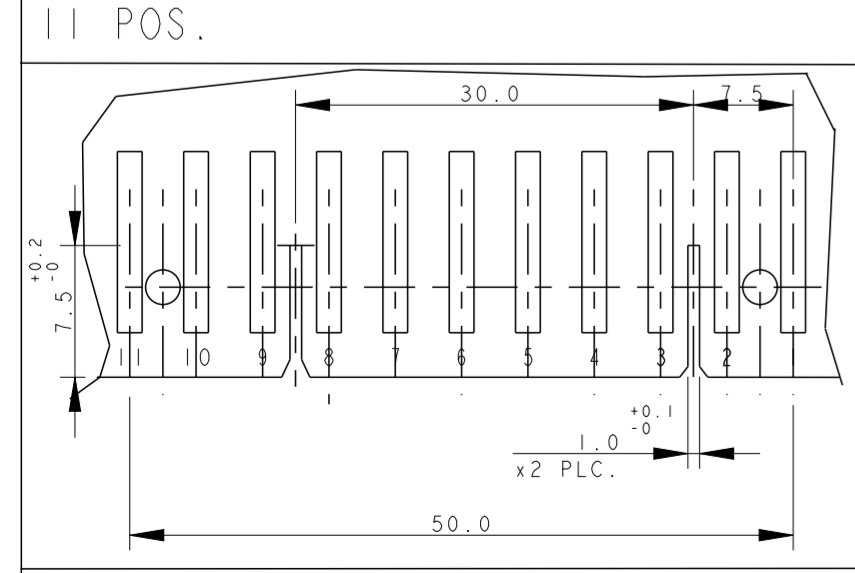
DIMA DEL PCB PER PN
(PCB LAYOUT FOR PN.S)
x-282049-1, 2293372-9 AND 2298752-9



DIMA DEL PCB PER PN
(PCB LAYOUT FOR PN.S)
2-282047-3

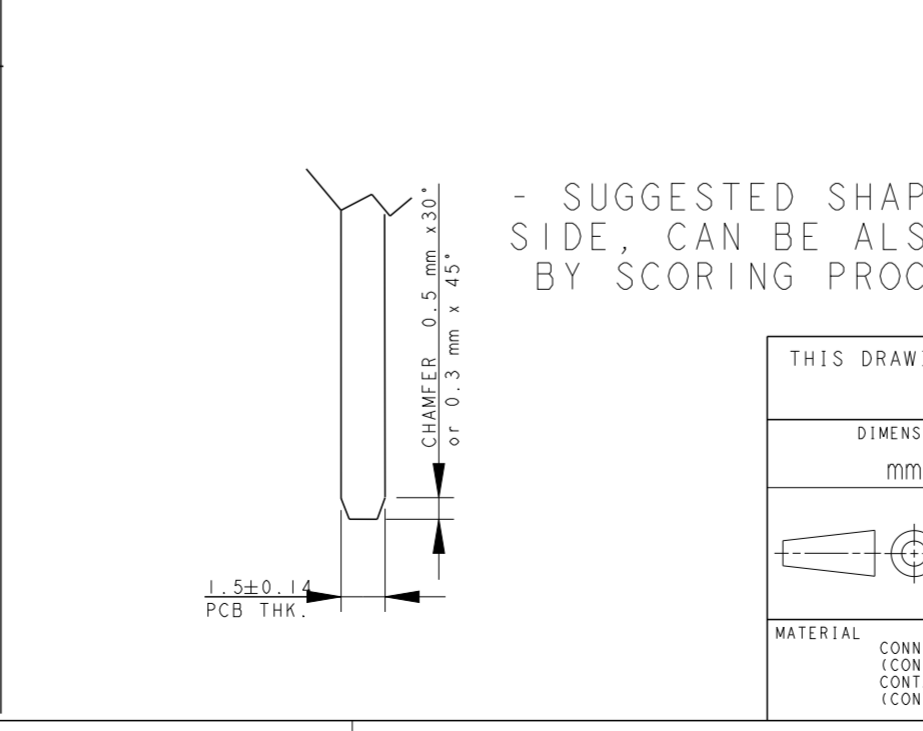
DIMA DEL PCB PER PN
(PCB LAYOUT FOR PN.S)
x-284401-x

DIMA DEL PCB PER PN
(PCB LAYOUT FOR PN.S)
x-282050-x



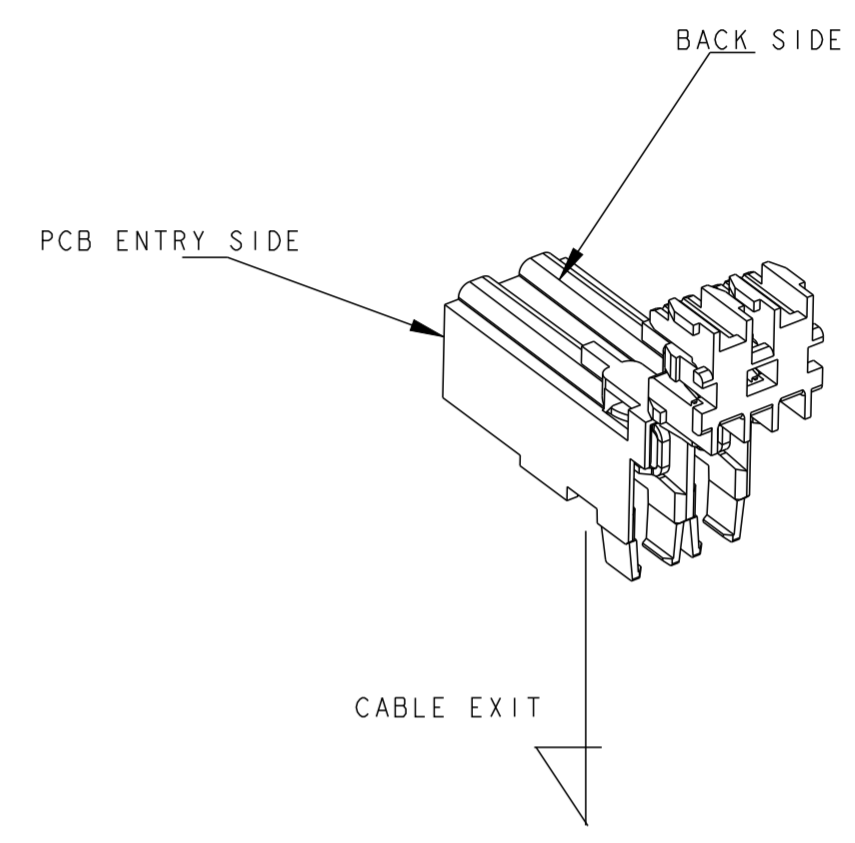
DIMA DEL PCB PER PN
(PCB LAYOUT FOR PN.S)
x-282051-x

PCB LAYOUT FOR PN.S
x-282052-x
2297072-2



- SUGGESTED SHAPE FOR PCB MATING SIDE, CAN BE ALSO OBTAINED BY SCORING PROCESS-

CONNECTOR LAYOUT
(3D VIEW FOR REFERENCE TO SHOW THE CONNECTOR ORIENTATION RESPECT TO PCB CUT OUT DESIGN)

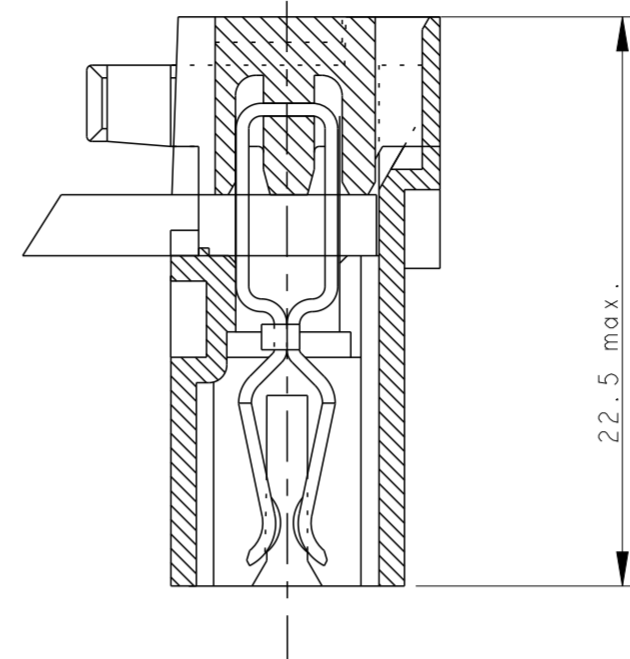


| | | | | | |
|---|--|---------------------------------|-----------|---|--|
| THIS DRAWING IS A CONTROLLED DOCUMENT. | | DWN C.CORDOLA | 23JUL1996 | TE Connectivity NAME MONO-SHAPE, MK1 PCB CONNECTOR 2-12 POS. | |
| DIMENSIONS: mm | | CHK G.TURCO | 23JUL1996 | | |
| TOLERANCES UNLESS OTHERWISE SPECIFIED: | | APVD G.TURCO | 23JUL1996 | PRODUCT SPEC 108-20067 | |
| 0 PLC ±0.30 1 PLC ±0.30 2 PLC ±0.30 3 PLC ±0.30 4 PLC ±0.30 | | APPLICATION SPEC 114-20018 | | SIZE A2 | |
| MATERIAL CONNECTORE NYLON (CONNECTOR NYLON) CONTATTO OTTONE (CONTACT BRASS) | | FINISH STAGNATO (TIN PLATED) | | DRAWING NO G-282042 | |
| 1.5±0.14 PCB THK. | | WEIGHT - | | RESTRICTED TO - | |
| | | Customer Drawing | | SCALE - | |
| | | | | SHEET 6 OF 10 | |
| | | | | REV 224 | |

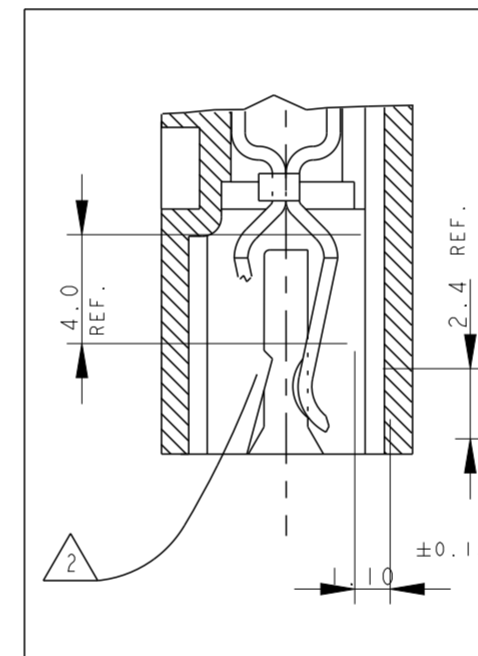
THIS DRAWING IS UNPUBLISHED. RELEASED FOR PUBLICATION PART NUMBER ASSY CONN.
 © COPYRIGHT copyright.dBTe- ALL RIGHTS RESERVED.

| NUMERO DI VIE | CONFIGURAZIONE (VISTA CON USCITA CAVI IN ALTO) | VERSIONE PEZZI IN VASSOIO | REV | VERSIONE PEZZI SCIOLTI | REV | POSIZIONE POLARIZ. (INTERVIA) | L (mm) | MARCHIATURA CON BANDA COLORATA |
|---------------|--|---------------------------|-----------|--------------------------------|-----------|-------------------------------|---------------|--------------------------------|
| NO. OF POS. | CONFIGURATION (VIEW WITH CABLE EXIT UP) | ON TRAY VERSION | PART REV. | LOOSE PIECES PACKAGING VERSION | PART REV. | POLARIZ. POSITION (INTERVIA) | L (mm) | STRIP COLOUR |
| 2 | | 1-282042-1 | U | 2-282042-1 | U | - | 10.8 | ARANCIONE (ORANGE) |
| 2 | | 1-282042-2 | U | 2-282042-2 | U | - | 10.8 | VERDE (GREEN) |
| 2 | | 1-282042-3 | U | 2-282042-3 | U | - | 9.9 | BLU (BLUE) |
| 2 | | 1-282042-4 | U | 2-282042-4 | U | - | 10.8 | ROSSO (RED) |
| 2 | | 1-282042-5 | U | 2-282042-5 | U | - | 9.9 | NERO (BLACK) |
| 2 | | 1-282042-6 | V | - | - | - | 9.9 | VIOLA (VIOLET) |
| 2 | | 1-284561-1 | V | - | - | - | 9.9 | VERDE (GREEN) |
| 2 | | 1-284561-2 | V | - | - | - | 9.9 | - |
| 3 | | 1-282043-2 | U | 2-282043-2 | U | - | 14.9 | - |
| | | 1-282043-3 | U | 2-282043-3 | U | - | 14.9 | NERO (BLACK) |
| 3 | | 0-282235-2 | U | 2-282235-2 | U | - | 15.8 | - |
| | | 0-282235-3 | U | 2-282235-3 | U | - | 15.8 | NERO (BLACK) |
| | | 1-284546-1 | V | - | - | 2-3 | 14.9 | BLU (BLUE) |
| 3 | | 284546-2 | I | - | - | 14.9 | VERDE (GREEN) | |
| 4 | | 1-282044-1 | V | 2-282044-1 | V | - | 19.9 | - |
| | | 3-282044-1 | V | - | - | - | 19.9 | - |

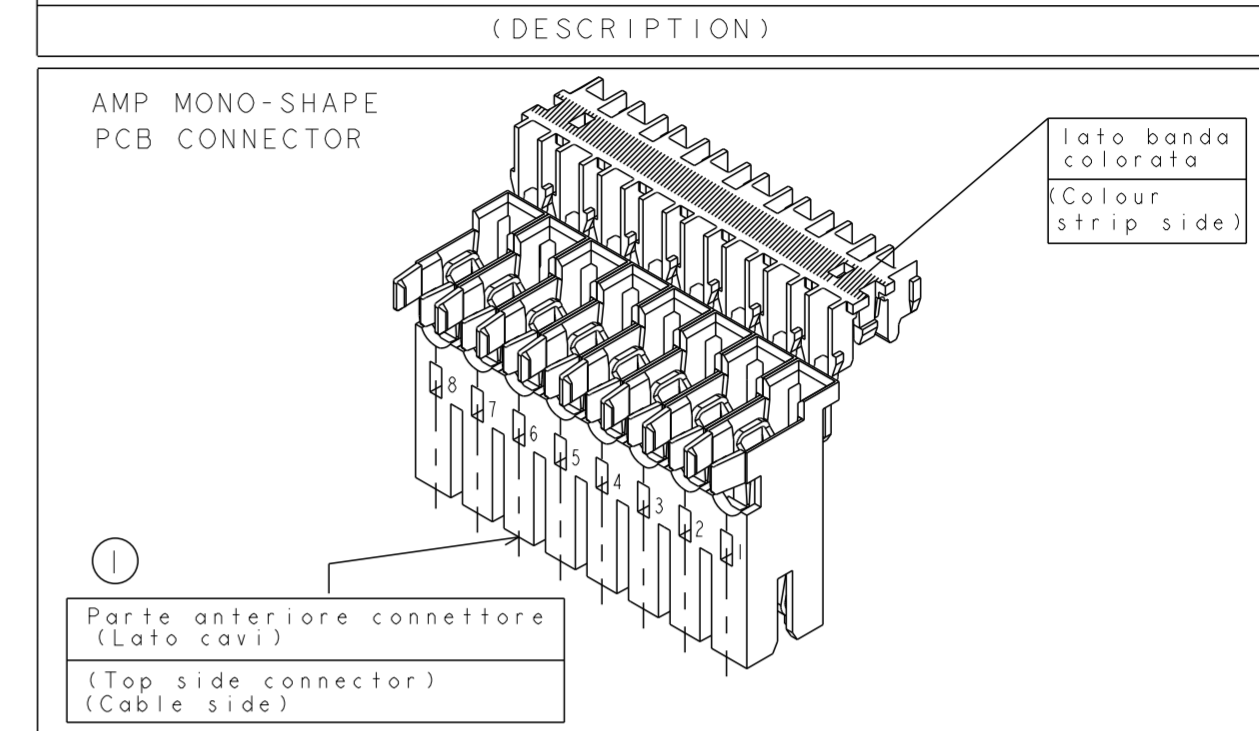
CONNETTORE COMPLETO DI CAVO (TERMINATED CONNECTOR)



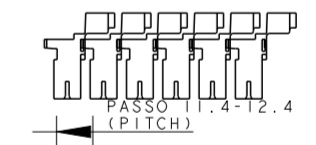
22.5 max. (FOR REFERENCE ONLY)



| LOC | DIST | REVISIONS | | | |
|-----|------|---------------------------|------|-----|------|
| P | LTR | DESCRIPTION | DATE | DWN | APVD |
| - | - | SEE SHEET 1 (SEE SHEET 1) | | | |



- 1) PER LE DIMENSIONI DEGLI SCARICHI SUL PCB VEDERE FOGLIO 5 (FOR PCB LAYOUT AND DIMENSIONS SEE SHEET 5)
- 2) GLI AGGANCI PER DIMA CIRCUITO STAMPATO, SONO SEMPRE RICAVATI SULLA SECONDA E PENULTIMA PARETE DEL BLOCCHETTO (INDICATI COME X-Y SUI DETTAGLI DEL DISEGNO) (LOCKING TEETH ARE OBTAINED ON THE SECOND AND THE SECOND-LAST WALL (NAMED X-Y ON RELEVANT DWG. DETAILS))
- 3) MARCHIO DI FABBRICA (LIBERA POSIZIONE) (TRADEMARK) (FREE POSITION)
- 4) NUMERI DI IDENTIFICAZIONE CAVITA' (CIRCUIT IDENTIFICATION)
- 5) ADATTO PER SCHEDA CIRCUITO STAMPATO SPESSORE 1.5±0.14 (SUITABLE FOR P.C.B. THK. 1.5±0.14)
- 6) PRELIMINARY PART - NOT YET RELEASED FOR PRODUCTION
- 12) INCLUDE LA POLARIZZAZIONE DOVE E' ESISTENTE (INCLUDING POLARIZATION KEY, WHEN EXISTING)
- 15) STATO DI FORNITURA: CONFEZIONAMENTO IN "VASSOI + SCATOLA" (PACKAGING: "ON TRAY PLUS CARTON BOX")
- 16) CONFEZIONAMENTO IN BOBINA OBSOLETATO (PACKAGING: "ON REEL" OBSOLETE)
- 17) APPROVAZIONE VDE, FILE No. 3905 (VDE APPROVAL, FILE No. 3905)
- 18) PROFILO "A" E' VALIDO PER OGNI CONFIGURAZIONE, PROFILO "B" E' AMMESSO SOLO PER I PN IDENTIFICATI IN TABELLA DALLA PRESENTE NOTA (SHAPE "A" VALID FOR EACH CONFIGURATION, SHAPE "B" IS PERMITTED ONLY ON PN WHERE THIS NOTE IS SHOWN ON RELEVANT DRAWING TABLE)
- 19) OBSOLETE: CIS STREAMLINING PER D.RENAUD/D.SINISI
- 20) OBSOLETE



21) PA GF, UL-V0 GWEPT 750°C NO FLAME, NATURAL

| | | | |
|------|-----------------------------|---------------------------------|---|
| 2 | BLOCCHETTO (HOUSING) | NATURALE (NATURAL) | PA 6.6 CARICATO VETRO (POLIAMIDE 6.6 GLASSFIBER FILLED) |
| 1 | CONTATTO (CONTACT) | STAGNATO (TIN-PLATED) | OTTONE (BRASS) |
| ITEM | DENOMINAZIONE (DESCRIPTION) | FINITURA/COLORE (FINISH/COLOUR) | MATERIALE (MATERIAL) |

THIS DRAWING IS A CONTROLLED DOCUMENT.

| | | |
|------|------------|-------------|
| DWN | C. CORDOLA | 23 JUL 1996 |
| CHK | G. TURCO | 23 JUL 1996 |
| APVD | G. TURCO | 23 JUL 1996 |

MONO-SHAPE, MK1 PCB CONNECTOR 2-12 POS.

STE TE Connectivity

108-20067

114-20018

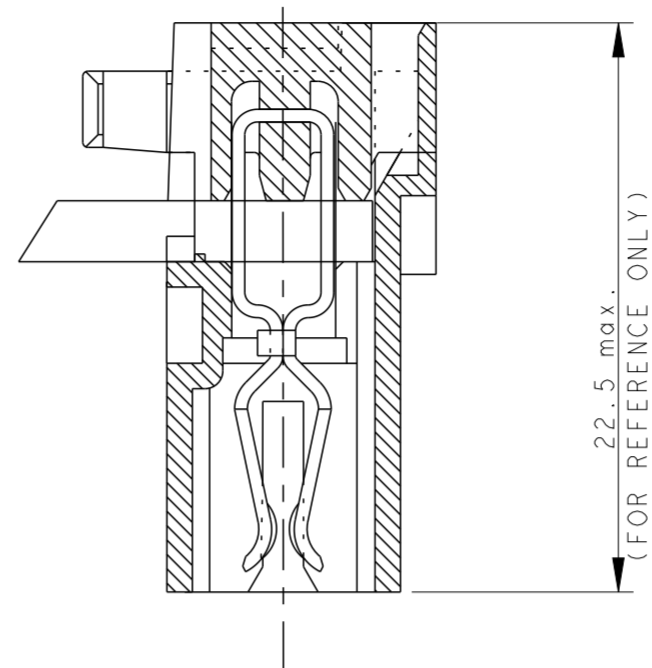
Customer Drawing

SCALE - SHEET 7 OF 10 REV 224

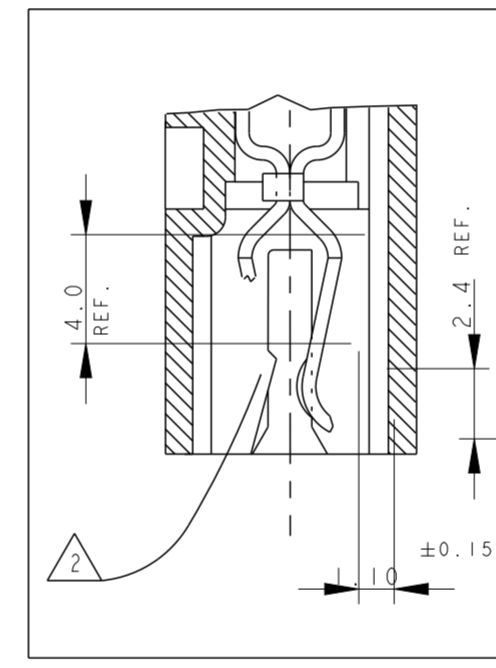
THIS DRAWING IS UNPUBLISHED. RELEASED FOR PUBLICATION PART NUMBER ASSY CONN.
 © COPYRIGHT copyright.dBTe- ALL RIGHTS RESERVED.

| NUMERO DI VIE | CONFIGURAZIONE (VISTA CON USCITA CAVI IN ALTO) | VERSIONE PEZZI IN VASSOIO | REV | VERSIONE PEZZI SCIOLTI | REV | POSIZIONE POLARIZ. (INTERVIA) | L (mm) | MARCHIATURA CON BANDA COLORATA |
|---------------|--|---------------------------|-----------|--------------------------------|-----------|-------------------------------|--------|--------------------------------|
| NO. OF POS. | CONFIGURATION (VIEW WITH CABLE EXIT UP) | ON TRAY VERSION | PART REV. | LOOSE PIECES PACKAGING VERSION | PART REV. | POLARIZ. POSITION (INTERVIA) | L (mm) | STRIP COLOUR |
| 5 | | 1-282045-1 | U | 2-282045-1 | U | - | 24.9 | - |
| 5 | | 1-282045-2 | U | 2-282045-2 | U | 2-3 | 24.9 | VERDE (GREEN) |
| 5 | | 1-282045-3 | U | 2-282045-3 | U | 2-3 | 24.9 | BLU (BLUE) |
| 5 | | 1-284733-1 | U | 2-284733-1 | U | - | 24.9 | - |
| 5 | | 3-282045-4 | Z | - | - | 1-2 | 24.9 | ARANCIONE (ORANGE) |
| 6 | | 1-282046-1 | U | 2-282046-1 | U | 2-3 | 29.9 | - |
| 6 | | 1-284734-1 | U | 2-284734-1 | U | 2-3 | 29.9 | - |
| 7 | | 1-282047-1 | U | 2-282047-1 | U | - | 34.9 | - |
| 7 | | 2-282047-3 | I | - | - | 2-3 | 34.9 | VIOLA (VIOLET) |
| 8 | | 0-284208-1 | U | 2-284208-1 | U | 2-3 | 39.9 | - |
| 9 | | 1-282049-1 | U | 2-282049-1 | U | 2-3 6-7 | 44.9 | - |
| 10 | | 1-282050-1 | U | 2-282050-1 | U | 2-3 7-8 | 49.9 | - |
| 10 | | 1-284401-1 | V | - | - | 2-3 | 49.9 | NERO (BLACK) |
| 11 | | 1-282051-1 | U | 2-282051-1 | U | 2-3 8-9 | 54.9 | - |
| 12 | | 1-282052-1 | U | 2-282052-1 | U | 2-3 9-10 | 59.9 | - |

CONNETTORE COMPLETO DI CAVO (TERMINATED CONNECTOR)

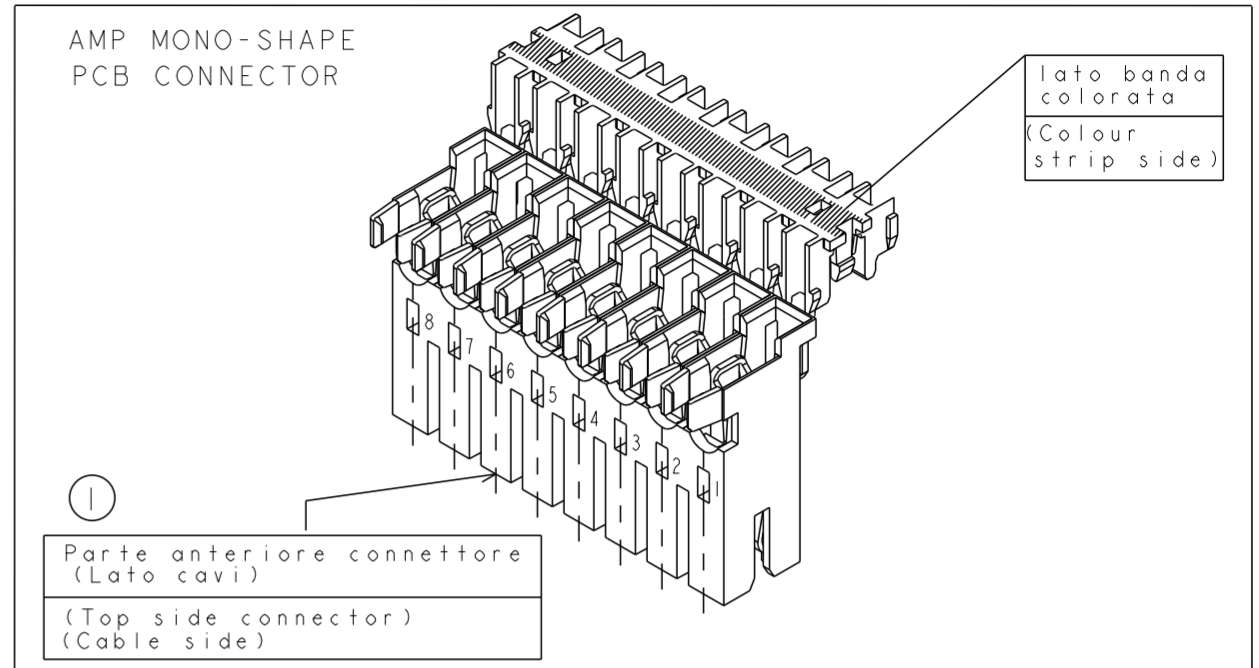


22.5 max. (FOR REFERENCE ONLY)



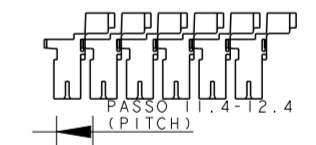
| LOC | DIST | REVISIONS | | | |
|-----|------|-------------------------|------|-----|------|
| P | LTR | DESCRIPTION | DATE | DWN | APVD |
| - | - | SEE SHEET 1/SEE SHEET 1 | | | |

LEGENDA (DESCRIPTION)



1) PER LE DIMENSIONI DEGLI SCARICHI SUL PCB VEDERE FOGLIO 5 (FOR PCB LAYOUT AND DIMENSIONS SEE SHEET 5)

- 2) GLI AGGANCI PER DIMA CIRCUITO STAMPATO, SONO SEMPRE RICAVATI SULLA SECONDA E PENULTIMA PARETE DEL BLOCCHETTO (INDICATI COME X-Y SUI DETTAGLI DEL DISEGNO) (LOCKING TEETH ARE OBTAINED ON THE SECOND AND THE SECOND-LAST WALL (NAMED X-Y ON RELEVANT DWG. DETAILS))
- 3) MARCHIO DI FABBRICA (LIBERA POSIZIONE) (TRADEMARK) (FREE POSITION)
- 4) NUMERI DI IDENTIFICAZIONE CAVITA' (CIRCUIT IDENTIFICATION)
- 5) ADATTO PER SCHEDA CIRCUITO STAMPATO SPESSORE 1.5±0.14 (SUITABLE FOR P.C.B. THK. 1.5±0.14)
- 6) PRELIMINARY PART - NOT YET RELEASED FOR PRODUCTION
- 12) INCLUDE LA POLARIZZAZIONE DOVE E' ESISTENTE (INCLUDING POLARIZATION KEY, WHEN EXISTING)
- 15) STATO DI FORNITURA: CONFEZIONAMENTO IN "VASSOI + SCATOLA" (PACKAGING: "ON TRAY PLUS CARTON BOX")
- 16) CONFEZIONAMENTO IN BOBINA OBSOLETATO (PACKAGING: "ON REEL" OBSOLETE)
- 17) APPROVAZIONE VDE, FILE No. 3905 (VDE APPROVAL, FILE No. 3905)
- 18) PROFILO "A" E' VALIDO PER OGNI CONFIGURAZIONE, PROFILO "B" E' AMMESSO SOLO PER I PN IDENTIFICATI IN TABELLA DALLA PRESENTE NOTA (SHAPE "A" VALID FOR EACH CONFIGURATION, SHAPE "B" IS PERMITTED ONLY ON PN WHERE THIS NOTE IS SHOWN ON RELEVANT DRAWING TABLE)
- 19) OBSOLETE: CIS STREAMLINING PER D.RENAUD/D.SINISI
- 20) OBSOLETE



21) PA GF, UL-V0 GWEPT 750°C NO FLAME, NATURAL

| | | | |
|------|-----------------------------|---------------------------------|---|
| 2 | BLOCCHETTO (HOUSING) | NATURALE (NATURAL) | PA 6.6 CARICATO VETRO (POLIAMIDE 6.6 GLASSFIBER FILLED) |
| 1 | CONTATTO (CONTACT) | STAGNATO (TIN-PLATED) | OTTONE (BRASS) |
| ITEM | DENOMINAZIONE (DESCRIPTION) | FINITURA/COLORE (FINISH/COLOUR) | MATERIALE (MATERIAL) |

THIS DRAWING IS A CONTROLLED DOCUMENT.

| | | |
|------|------------|-------------|
| DWN | C. CORDOLA | 23 JUL 1996 |
| CHK | G. TURCO | 23 JUL 1996 |
| APVD | G. TURCO | 23 JUL 1996 |

MONO-SHAPE, MK1 PCB CONNECTOR 2-12 POS.

STE TE Connectivity

108-20067

114-20018

Customer Drawing

SCALE - SHEET 8 OF 10 REV 224

THIS DRAWING IS UNPUBLISHED. RELEASED FOR PUBLICATION
 © COPYRIGHT copyright.d8te- ALL RIGHTS RESERVED.

| LOC | | DIST | | REVISIONS | | | |
|-----|-----|-------------|------|-----------|------|--|--|
| P | LTR | DESCRIPTION | DATE | DWN | APVD | | |
| | | SEE SHEET 1 | | | | | |
| | | | | | | | |
| | | | | | | | |

21 PA GF, UL-V0 GWEPT 750°C NO FLAME, NATURAL

| NO of POS. | CONFIGURATION (SEE TYP. SECTION ONLY FOR REF ①) | ON TRAY PACKAGING VERSION | PART REV. | LOOSE PIECES PACKAGING VERSION | PART REV. | POLARIZ. POSITION (INTERVIA) | "L" (mm) | COLOR CODE |
|------------|---|---------------------------|-----------|--------------------------------|-----------|------------------------------|----------|------------|
| 6 | | 2293372-2 | I | - | - | - | 9.9 | BLUE |
| 6 | - | 2293372-3 | I | - | - | - | 14.9 | - |
| 6 | | 2293372-4 | I | - | - | - | 19.9 | - |
| 5 | | 2293372-5 | Z | - | - | 1-2 | 24.9 | - |
| 6 | | 2293372-6 | I | - | - | 2-3 | 29.9 | - |
| 7 | | 2293372-7 | Z | - | - | - | 34.9 | - |
| 6 | | 2293372-8 | I | - | - | - | 39.9 | - |
| 9 | | 2293372-9 | Z | - | - | 2-3 6-7 | 44.9 | - |
| 6 | - | 1-2293372-0 | I | - | - | - | 49.9 | - |
| 6 | - | 2297072-1 | I | - | - | - | 54.9 | - |
| 6 | | 2297072-2 | I | - | - | 2-3 9-10 | 59.9 | - |

| | | | | |
|--|--|----------------------------------|---|----------------|
| THIS DRAWING IS A CONTROLLED DOCUMENT. | | DWN C. CORDOLA 23 JUL 1996 | TE Connectivity | |
| DIMENSIONS: mm | | CHK G. TURCO 23 JUL 1996 | | |
| TOLERANCES UNLESS OTHERWISE SPECIFIED: | | APVD G. TURCO 23 JUL 1996 | NAME MONO-SHAPE, MK I PCB CONNECTOR 2-12 POS. | |
| 0 PLC ± 0.3 1 PLC ± 0.3 2 PLC ± 0.3 3 PLC ± 0.3 4 PLC ± 0.3 ANGLES ± 2° | | PRODUCT SPEC 108-20067 | RESTRICTED TO | |
| MATERIAL CONNETTORE NYLON (CONNECTOR NYLON) CONTATTO OTTONE (CONTACT BRASS) | | APPLICATION SPEC 114-20018 | SIZE A2 | CAGE CODE 1 |
| FINISH STAGNATO (TIN PLATED) | | WEIGHT - | DRAWING NO C-282042 | SCALE - |
| | | Customer Drawing | SHEET 9 OF 10 | REV Z24 |

THIS DRAWING IS UNPUBLISHED. RELEASED FOR PUBLICATION
 © COPYRIGHT copyright.d8Te - ALL RIGHTS RESERVED.

| LOC | | DIST | | REVISIONS | | | |
|-----|-----|-------------|------|-----------|------|--|--|
| P | LTR | DESCRIPTION | DATE | DWN | APVD | | |
| | | SEE SHEET 1 | | | | | |
| | | | | | | | |
| | | | | | | | |

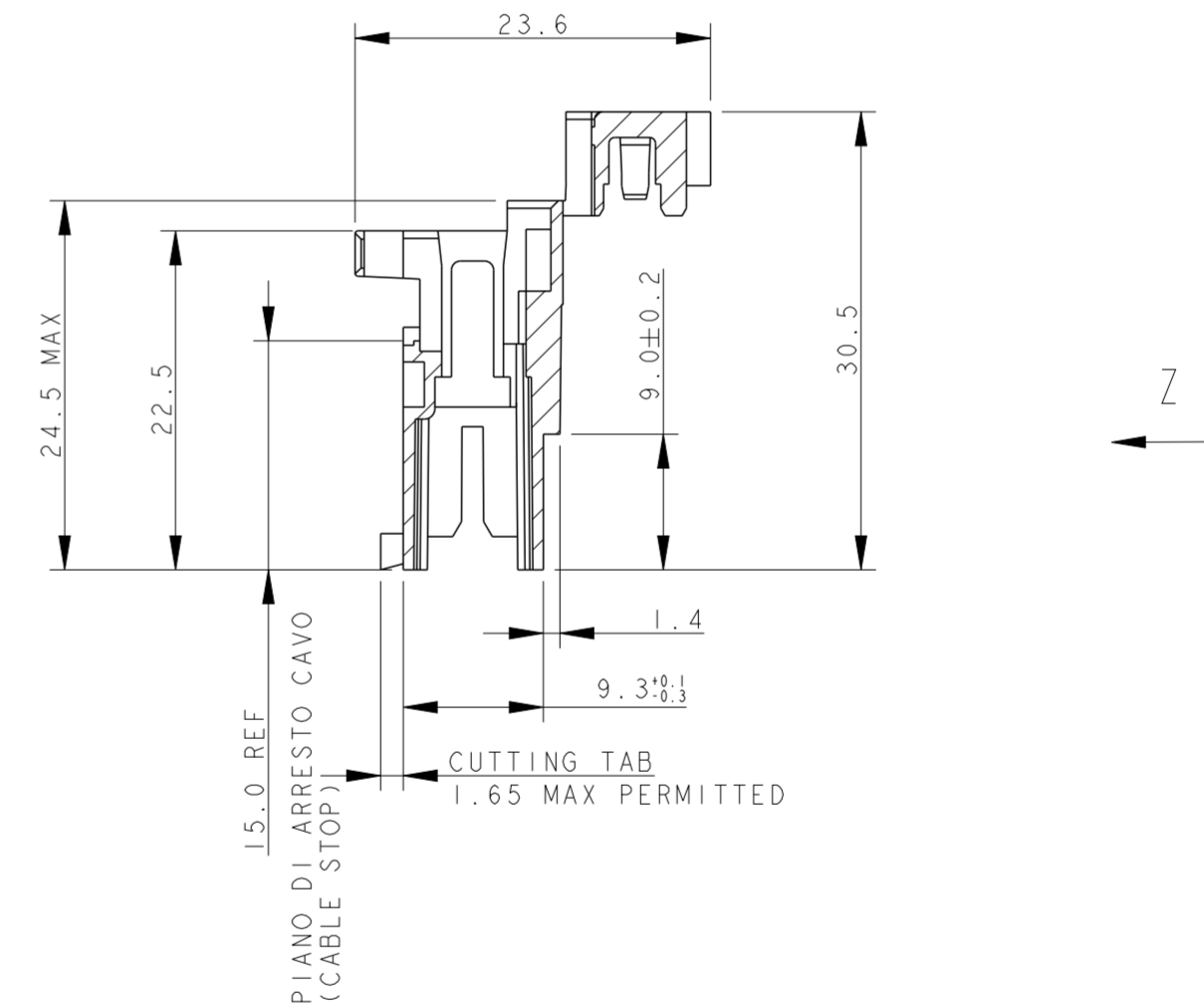
△ PA GF, UL-V0 GWEPT 750°C NO FLAME, NATURAL

LONG VERSION

PARTS HAVE NOT YET COMPLETED QUALIFICATION TESTING

| NO of POS. | CONFIGURATION (SEE TYP. SECTION ONLY FOR REF.) | ON TRAY PACKAGING VERSION | PART REV. | POLARIZ. POSITION (INTERNAL) | "L" (mm) | COLOR CODE |
|------------|--|---------------------------|-----------|------------------------------|----------|------------|
| △ 6 2 | | 2298752-2 | 1 | - | 9.9 | BLUE |
| △ 6 2 | | 1-2298752-2 | 1 | - | 9.9 | BLACK |
| △ 6 3 | | 2298752-3 | 1 | - | 14.9 | - |
| △ 6 4 | | 2298752-4 | 1 | - | 19.9 | - |
| △ 6 5 | | 1-2298752-5 | 1 | 1-2 | 24.9 | ORANGE |
| △ 6 5 | | 2298752-5 | 1 | 2-3 | 24.9 | GREEN |
| △ 6 6 | | 2298752-6 | 1 | 2-3 | 29.9 | - |
| △ 6 7 | | 2298752-7 | 1 | - | 34.9 | - |
| △ 6 8 | | 2298752-8 | 1 | 2-3 | 39.9 | - |
| △ 6 9 | | 2298752-9 | 1 | 2-3 6-7 | 44.9 | - |
| △ 6 10 | | 1-2298752-0 | 1 | 2-3 7-8 | 49.9 | - |
| △ 6 11 | | 2298552-1 | 1 | 2-3 8-9 | 54.9 | - |
| △ 6 12 | | 2298552-2 | 1 | 2-3 9-10 | 59.9 | - |

VIEW APPLIES TO LONG VERSION ONLY



| | | | | |
|--|--|---------------------------------|--|--------------------|
| THIS DRAWING IS A CONTROLLED DOCUMENT. | | DWN C. CORDOLA 23JUL1996 | TE Connectivity | |
| DIMENSIONS: mm | | CHK G. TURCO 23JUL1996 | | |
| TOLERANCES UNLESS OTHERWISE SPECIFIED: | | APVD G. TURCO 23JUL1996 | NAME MONO-SHAPE, MK1 PCB CONNECTOR 2-12 POS. | |
| 0 PLC ± 0.3 1 PLC ± 0.3 2 PLC ± 0.3 3 PLC ± 0.3 4 PLC ± 0.3 ANGLES ± 2° | | PRODUCT SPEC 108-20067 | SIZE A2 | |
| MATERIAL CONNETTORE NYLON (CONNECTOR NYLON) CONTATTO OTTONE (CONTACT BRASS) | | FINISH STAGNATO (TIN PLATED) | APPLICATION SPEC 114-20018 | CAGE CODE 1 |
| | | WEIGHT - | DRAWING NO C-282042 | RESTRICTED TO - |
| Customer Drawing | | SCALE NO | SHEET 9 of 9 | REV Z24 |