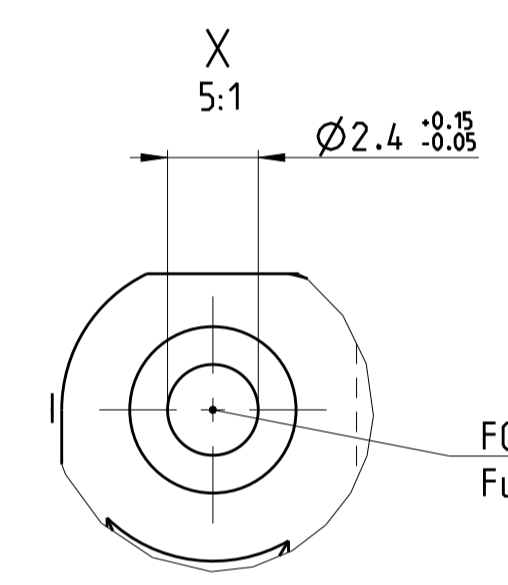
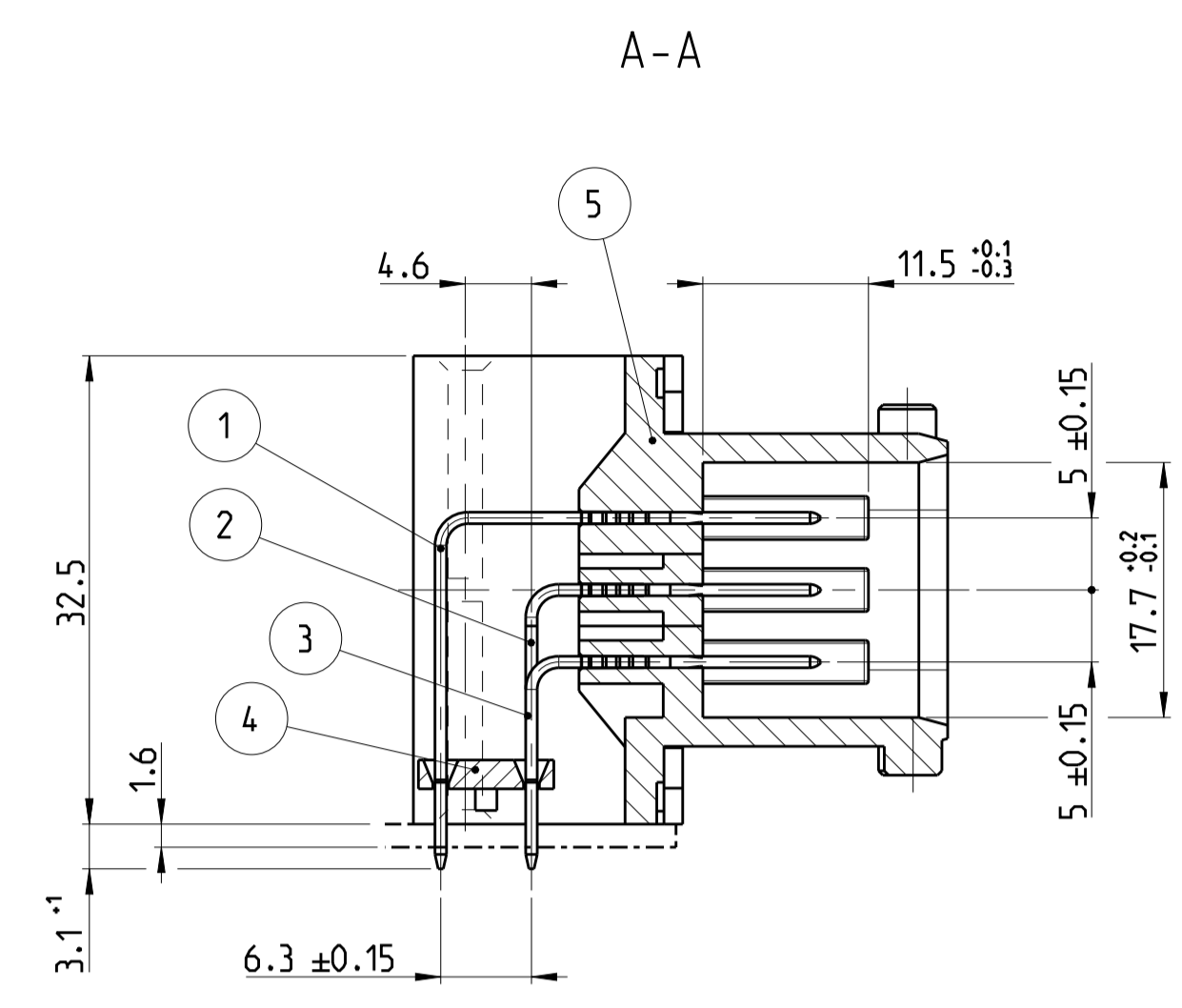
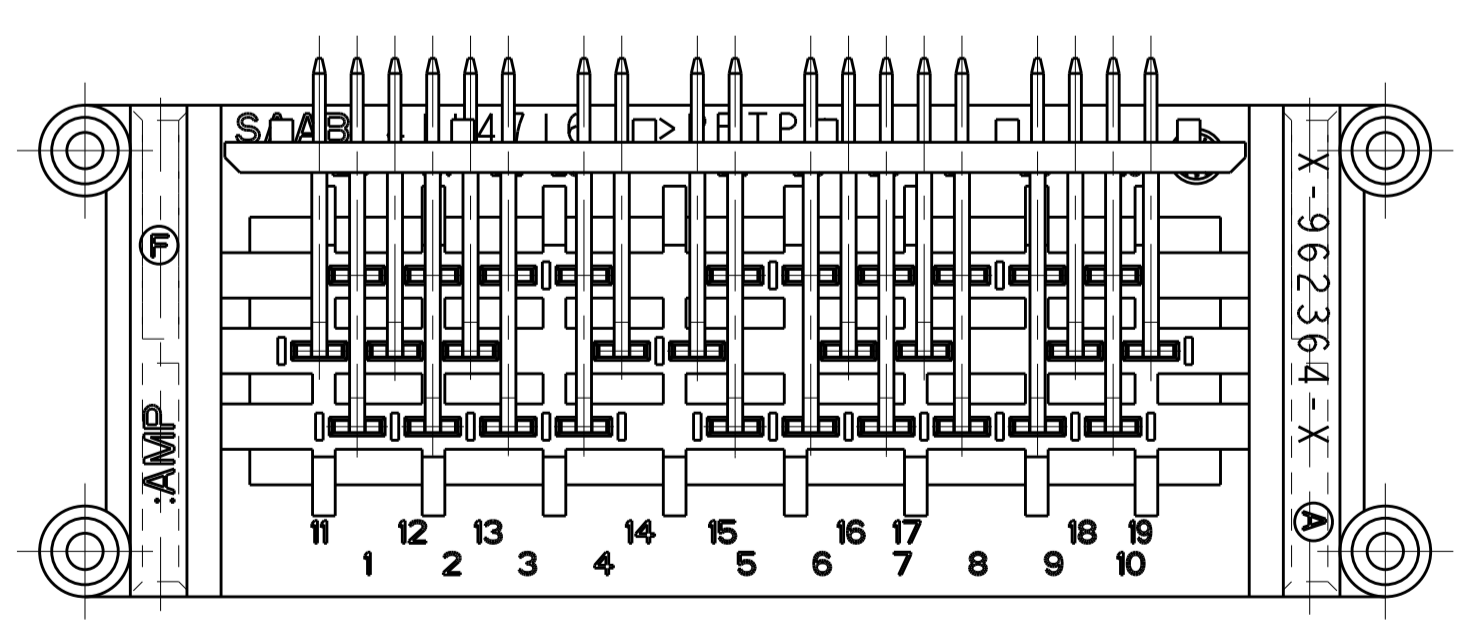
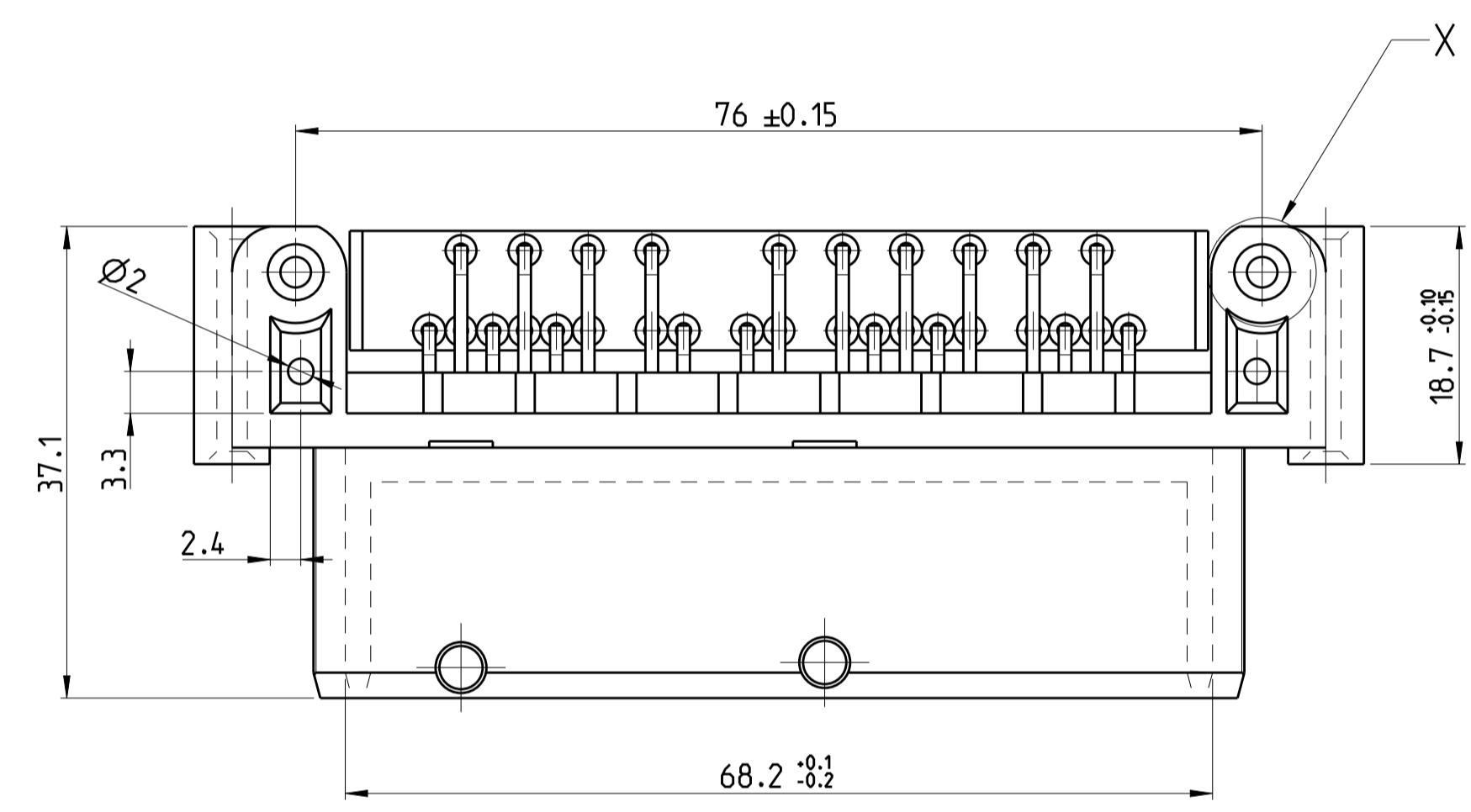
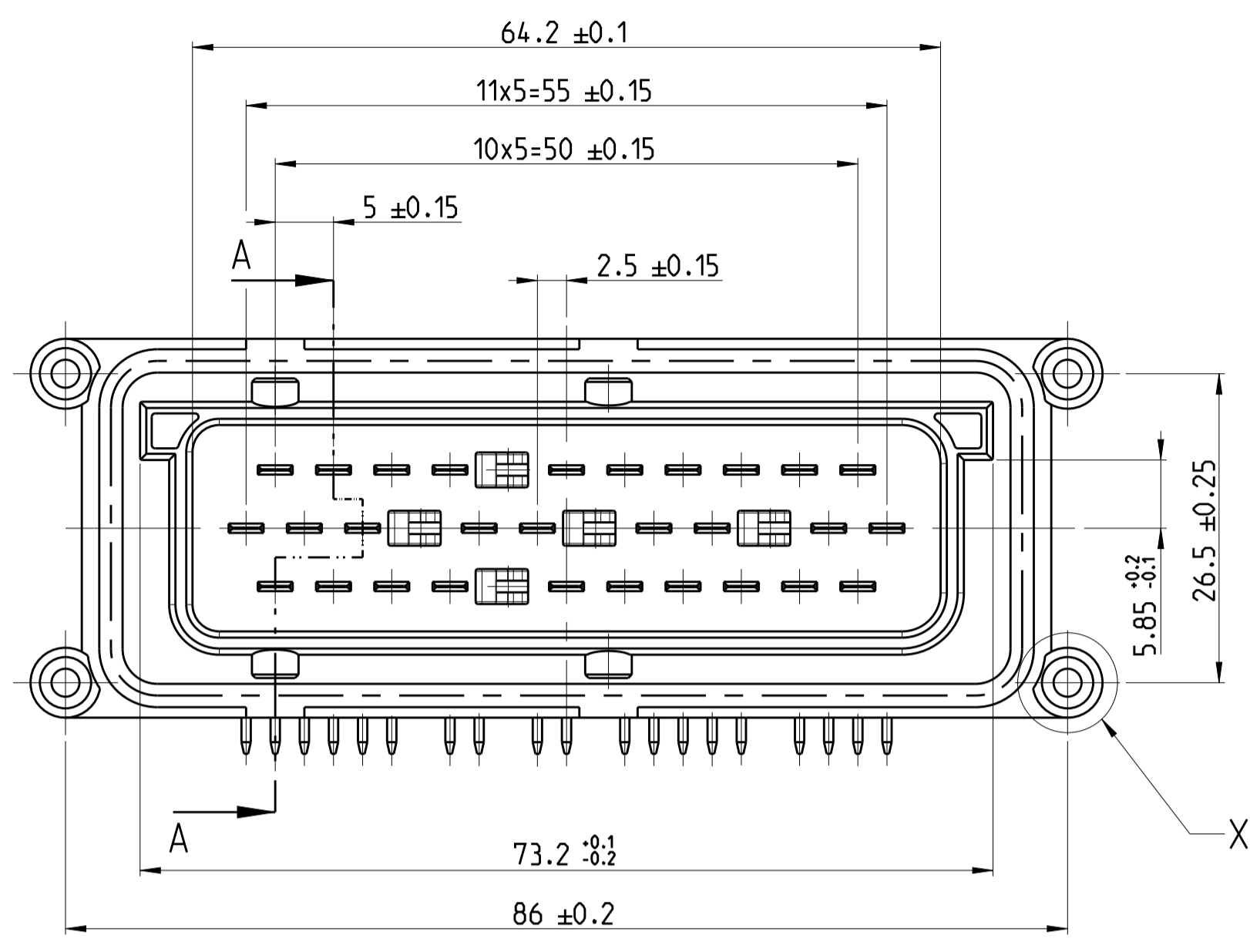
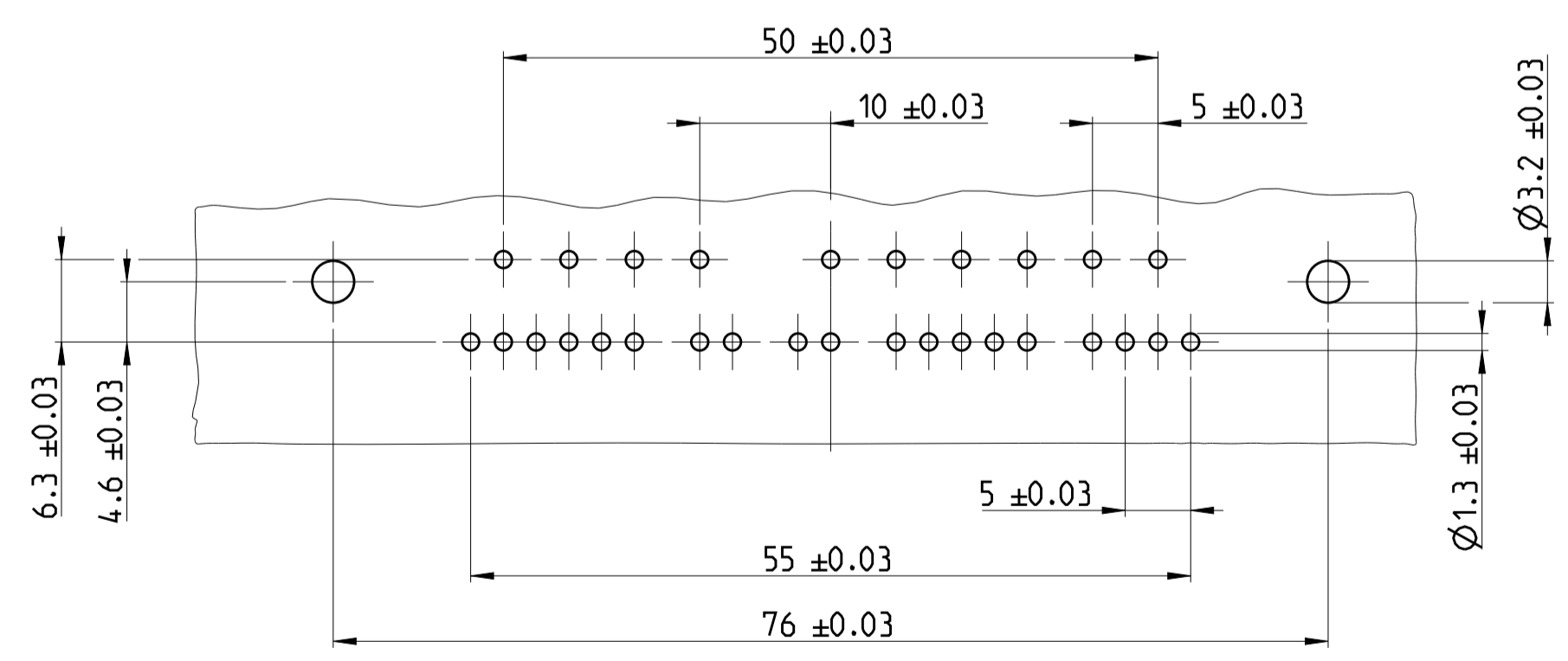


USED WITH		REVISIONS			
P	LTR	DESCRIPTION	DATE	DWN	APVD
G1		REDRAWN TO CREO	28AUG2017	GH	RP



FOR CYL. SELF-TAPPING SCREW: DIN 7971 ST 2.9x9.5-C-H
 Fuer Gewindeschneidschraube: DIN 7971 St. 2.9x9.5-C-H

PCB-LAYOUT FOR 90° VERSION
 PCB-Lochbild fuer 90° Version

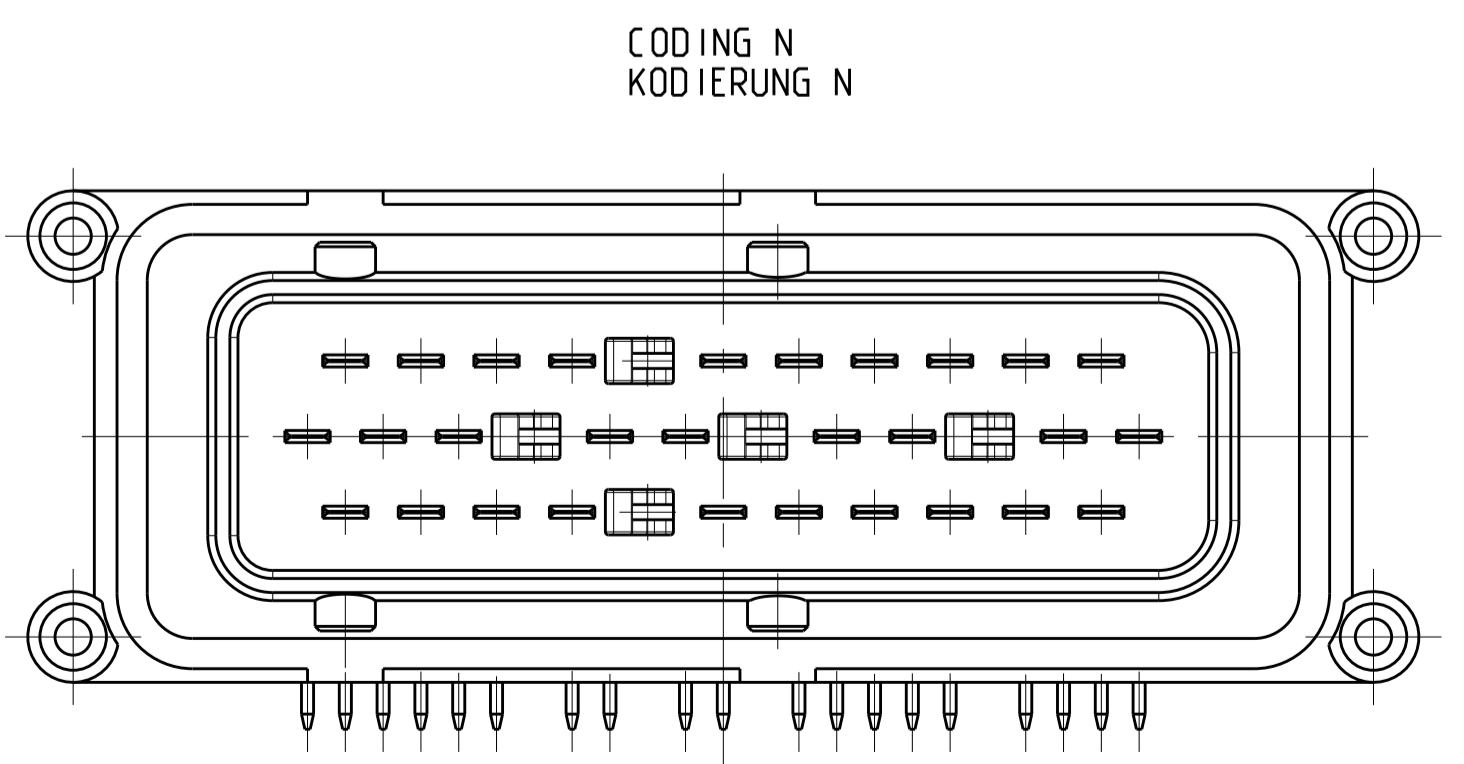
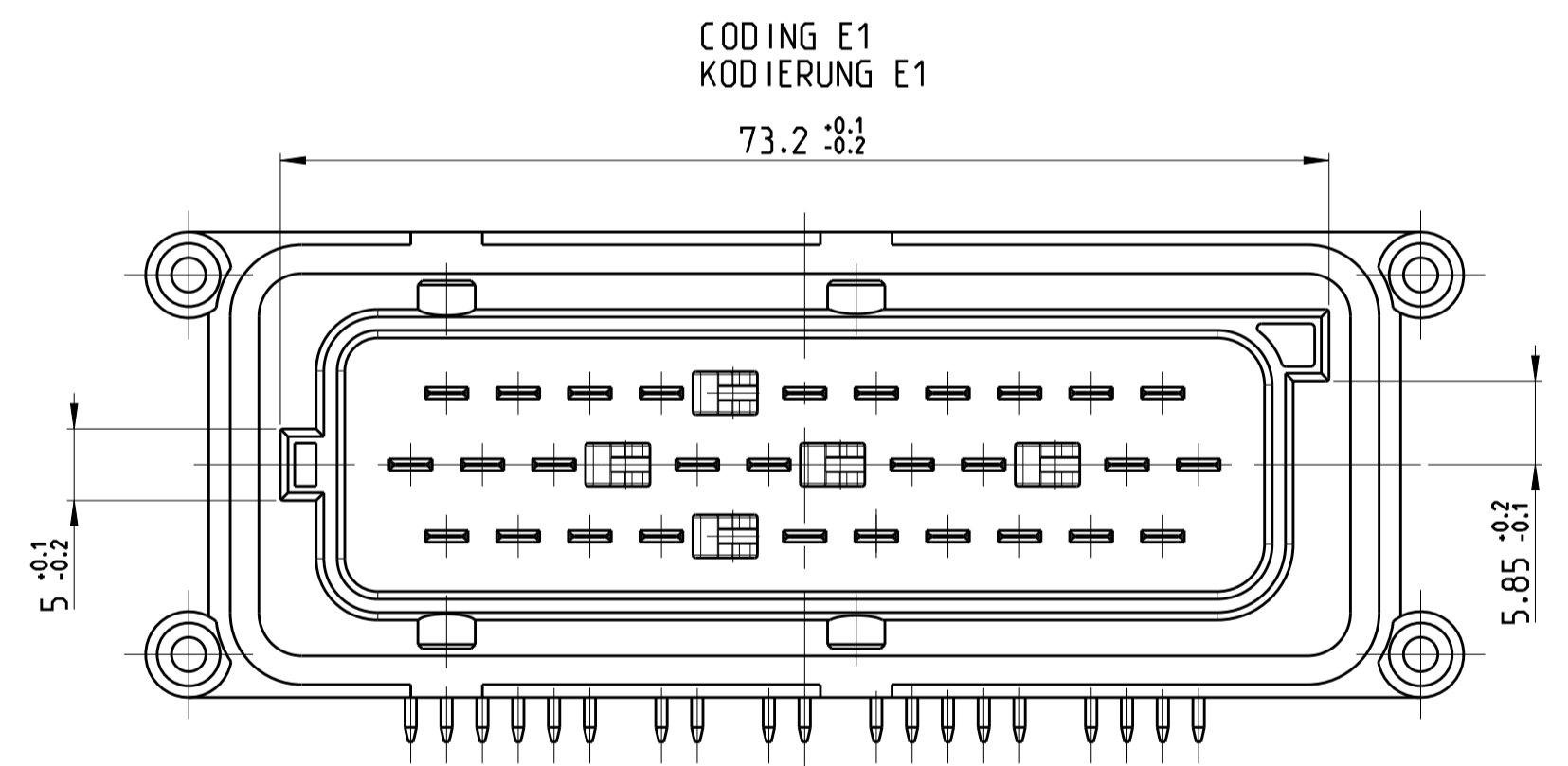
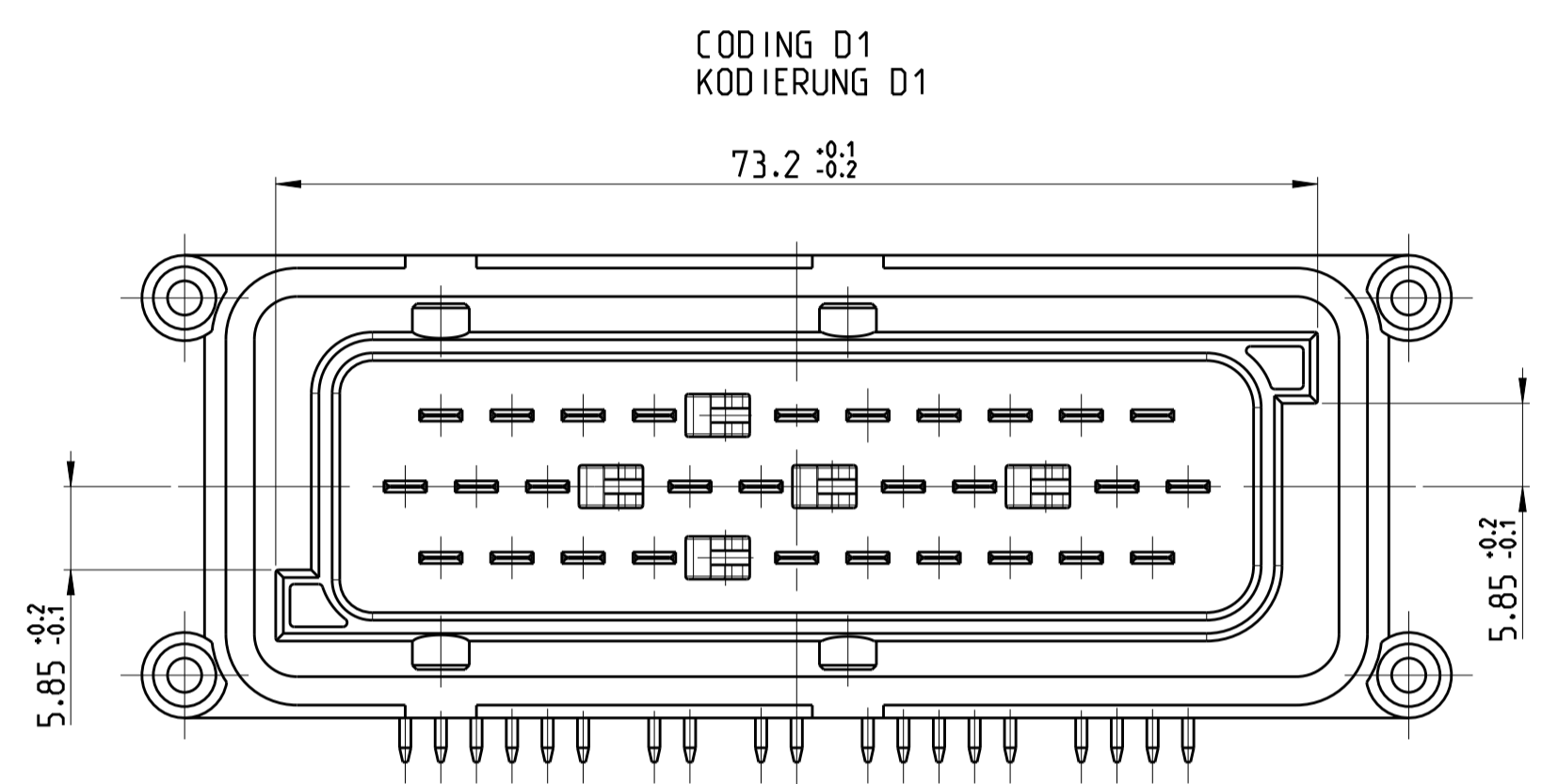
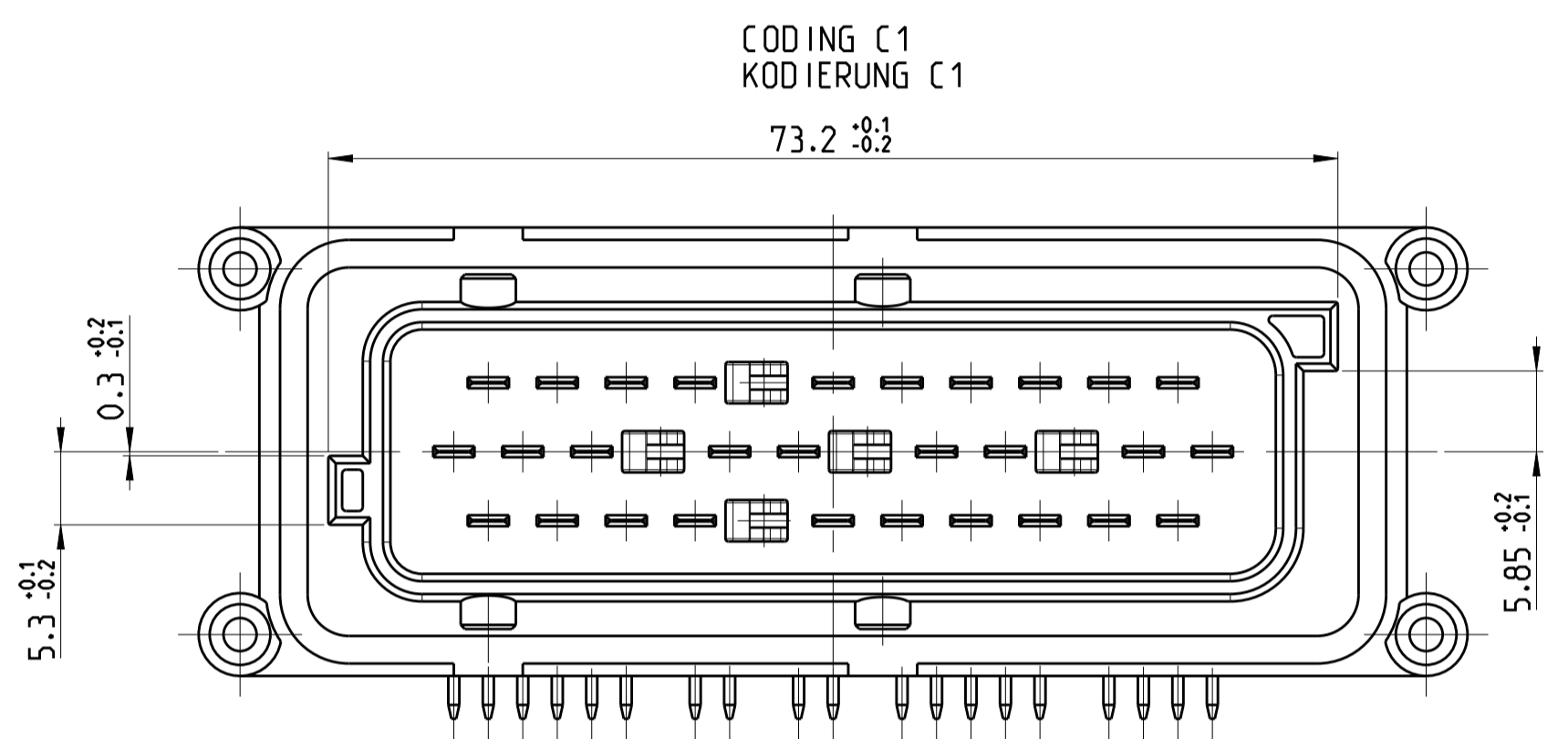
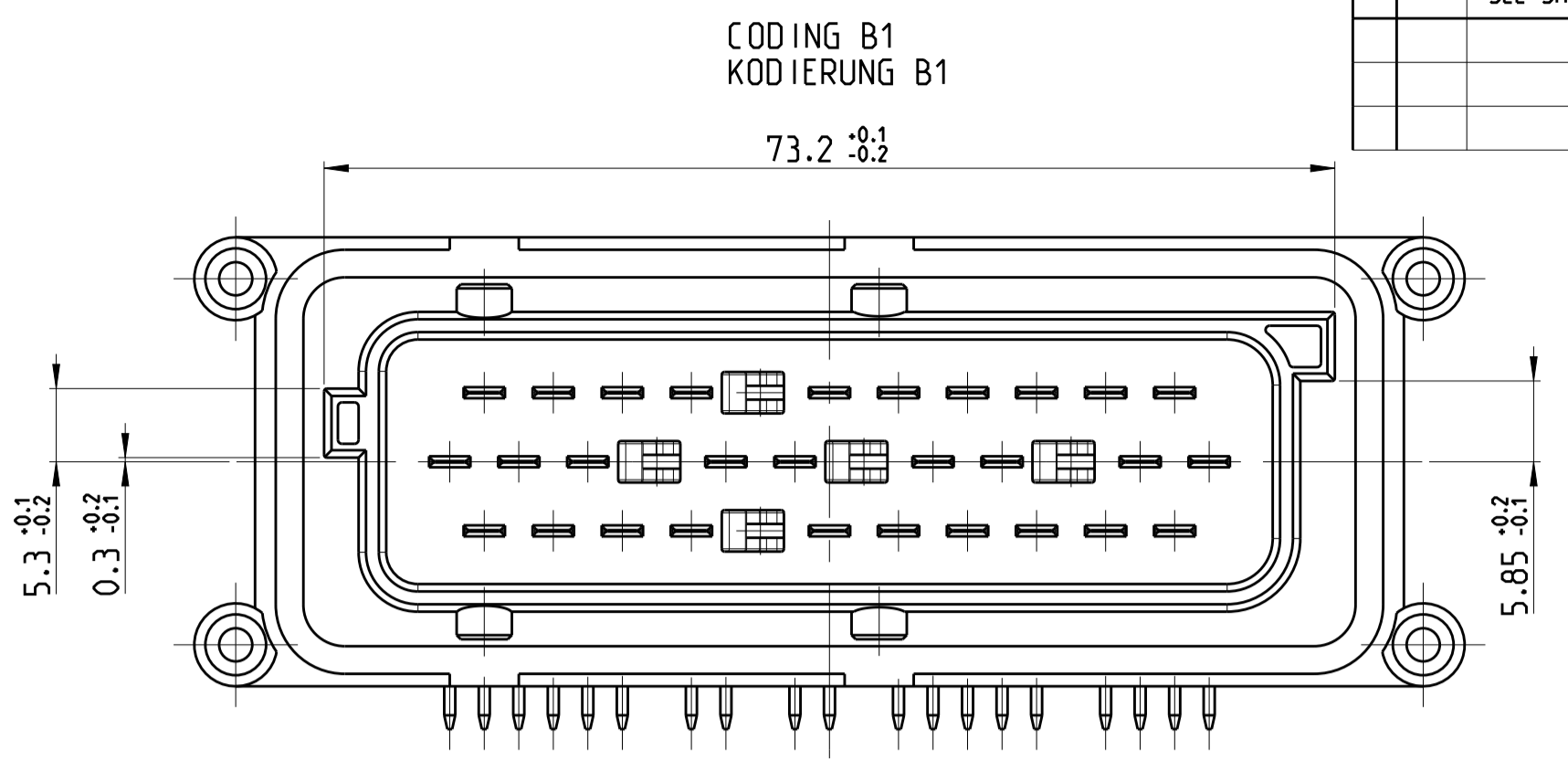
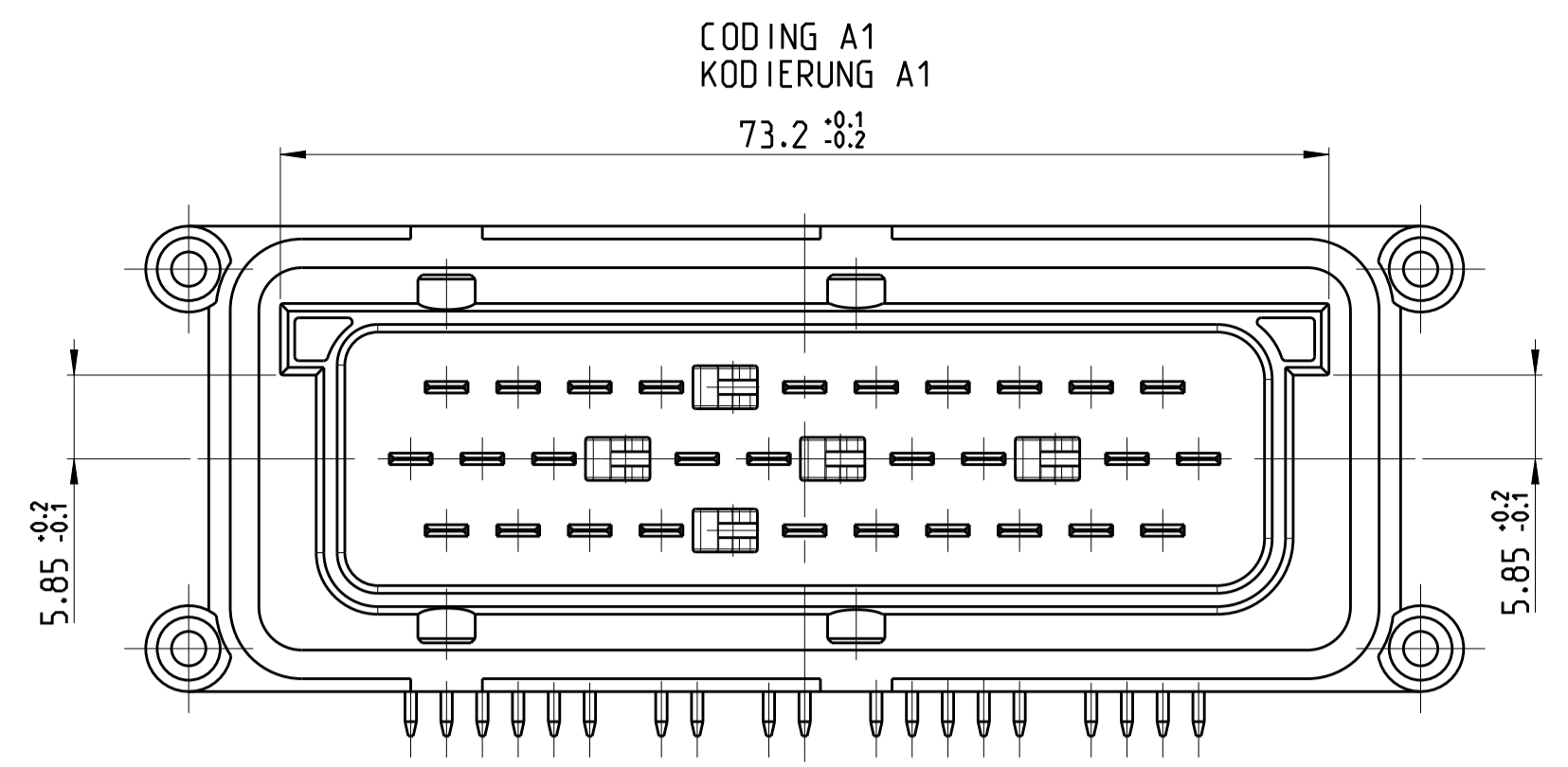


PARTS LIST SEE SHEET 2 OF 2
 STUECKLISTE SIEHE BLATT 2 VON 2

1-... 1 AS SHOWN
 1-...-1 wie gezeichnet

THIS DRAWING IS A CONTROLLED DOCUMENT.		DWN: M. KRESSMANN 23APR1993	TE Connectivity
DIMENSIONS: mm		CHK: W. STABROTH 23APR1993	
TOLERANCES UNLESS OTHERWISE SPECIFIED:		APVD: -	NAME: 29 POS. 3MM TAB HAEDER (AIRBAG)
		PRODUCT SPEC: -	SIZE: A1
MATERIAL: -		APPLICATION SPEC: -	CAGE CODE: -
-		WEIGHT: -	DRAWING NO: C=963221
-		CUSTOMER DRAWING	SCALE: 5:1 SHEET 1 OF 2 REV: G1

REVISIONS				
P	LTR	DESCRIPTION	DATE	APVD
-		SEE SHEET 1	-	-



X						1	29 POS. TAB. HEADER COD.N	PBT 30% GV	WHITE	5
	X					1	29 POS. TAB. HEADER COD.E1	PBT 30% GV	VIOLET	5
		X				1	29 POS. TAB. HEADER COD.D1	PBT 30% GV	BROWN	5
			X			1	29 POS. TAB. HEADER COD.C1	PBT 30% GV	BLUE	5
				X		1	29 POS. TAB. HEADER COD.B1	PBT 30% GV	GREY	5
					X	1	29 POS. TAB. HEADER COD.A1	PBT 30% GV	BLACK	5
X	X	X	X	X	X	1	CENTERLINE PLATE	PBT 30% GV	BLACK	4
X	X	X	X	X	X	10	3 MM TAB (33.5)	CuSn4 F41	PRE-TINNED	3
X	X	X	X	X	X	9	3 MM TAB (38.5)	CuSn4 F41	PRE-TINNED	2
X	X	X	X	X	X	10	3 MM TAB (49.8)	CuSn4 F41	PRE-TINNED	1
6-963221-1	5-963221-1	4-963221-1	3-963221-1	2-963221-1	1-963221-1	QTY REQ	DESCRIPTION	MATERIAL	COLOUR	ITEM NO
G	G	G	G	G	G		REV OF ASSY		FINISH	

THIS DRAWING IS A CONTROLLED DOCUMENT. DWG: M. KRESSMANN 23APR1993
 CHK: W. STABROTH 23APR1993

TE Connectivity

29 POS. 3MM TAB HAEDER (AIRBAG)

SIZE: A1 CAGE CODE: C=963221

SCALE: 5:1 SHEET: 2 OF 2 REV: G1