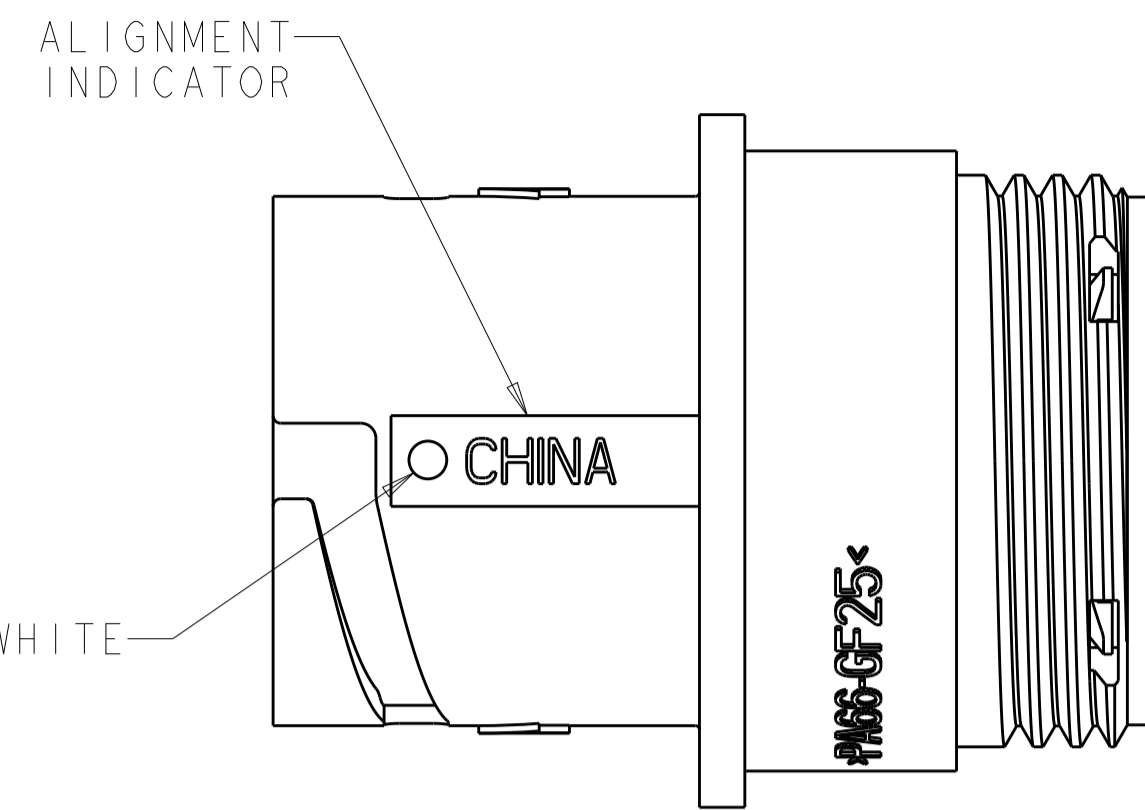
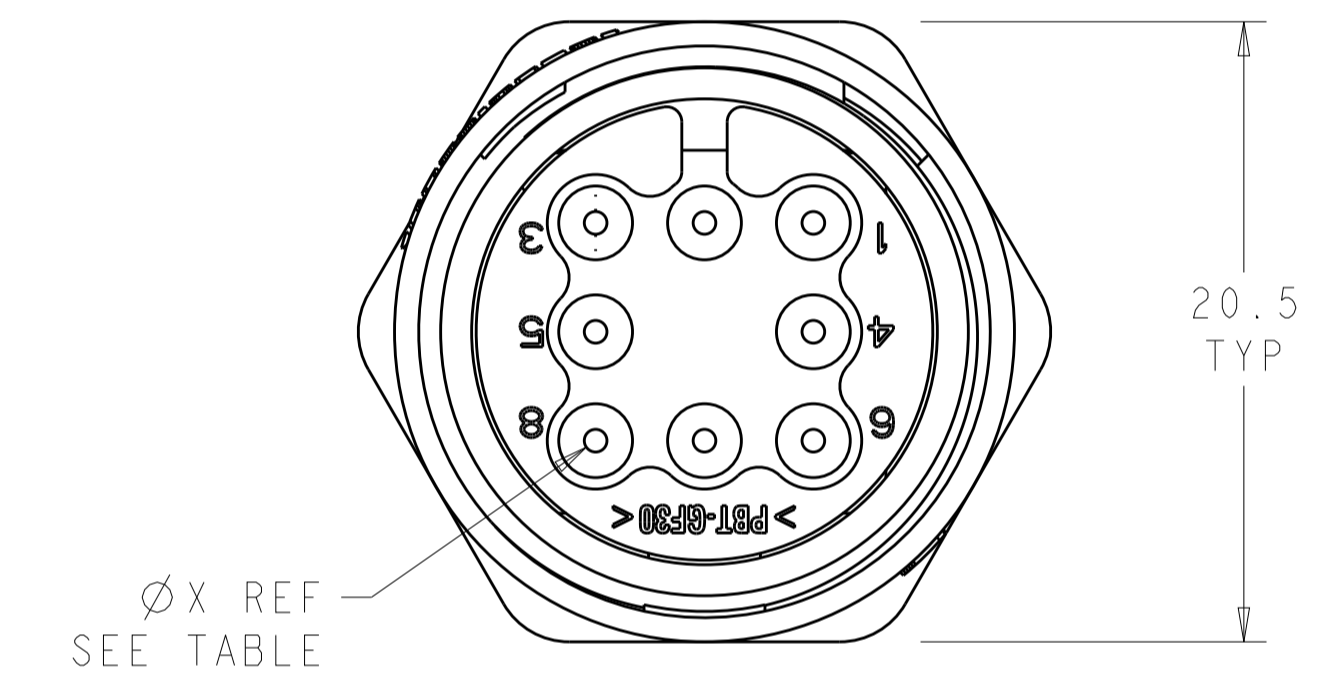
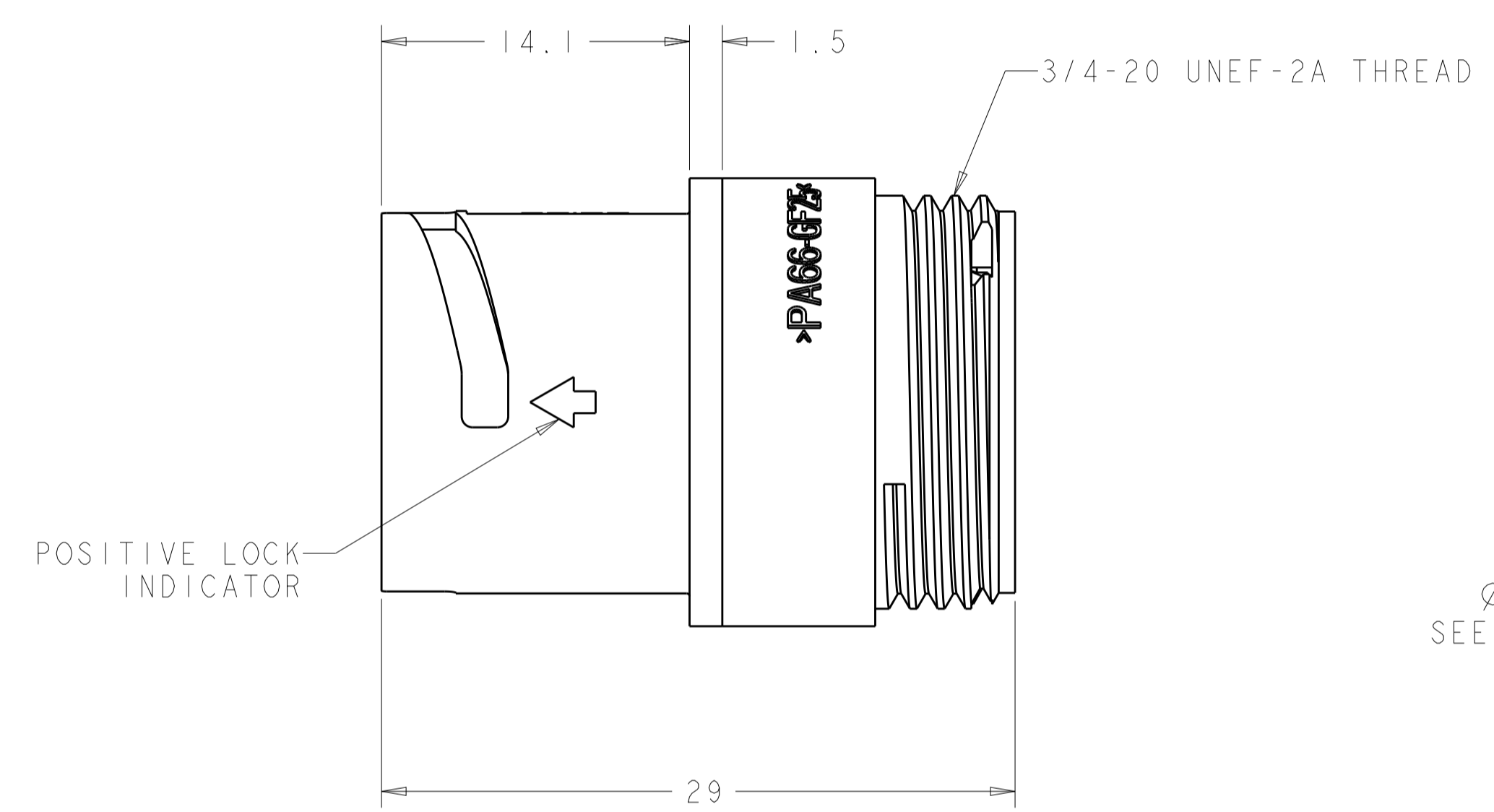
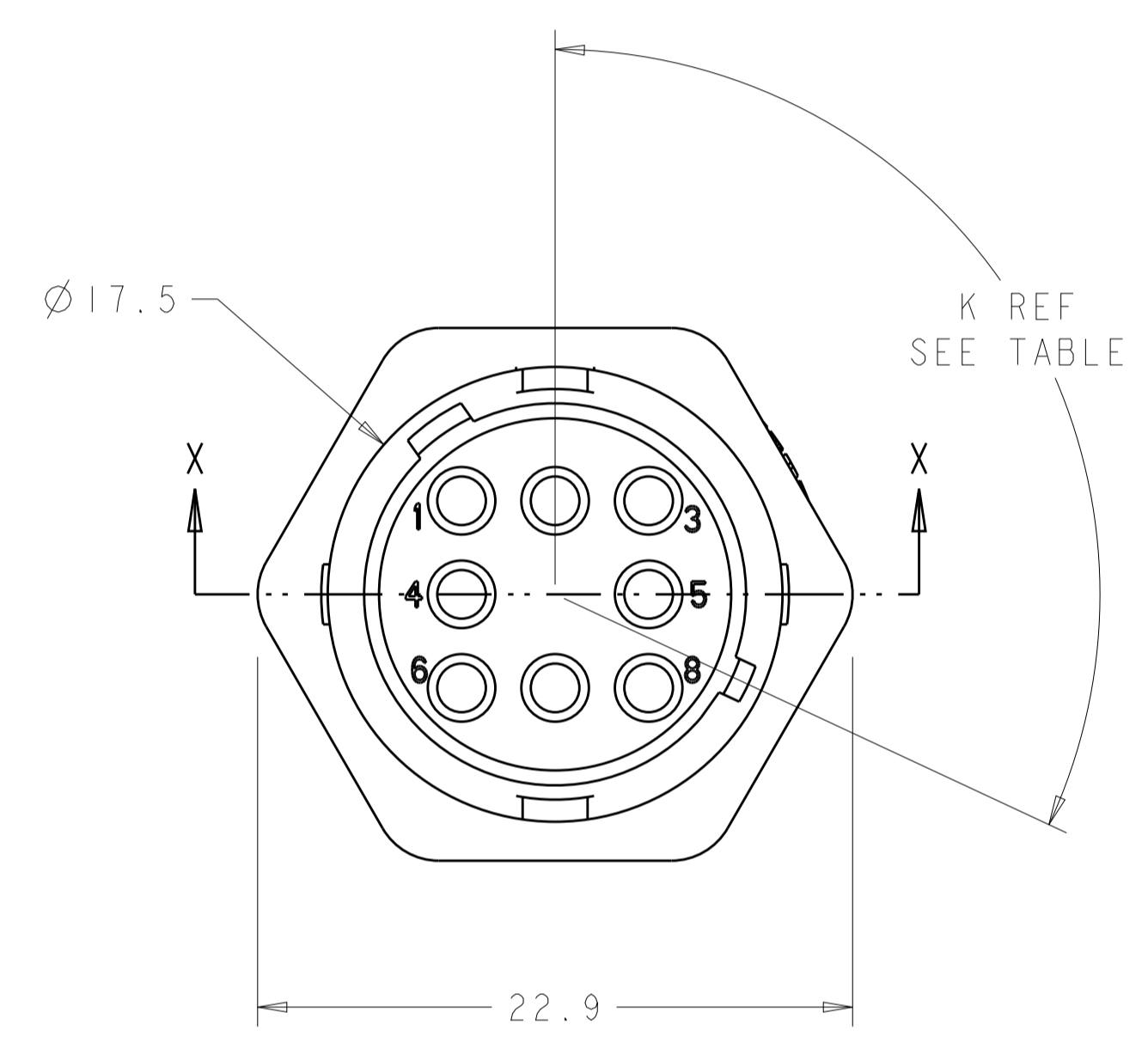


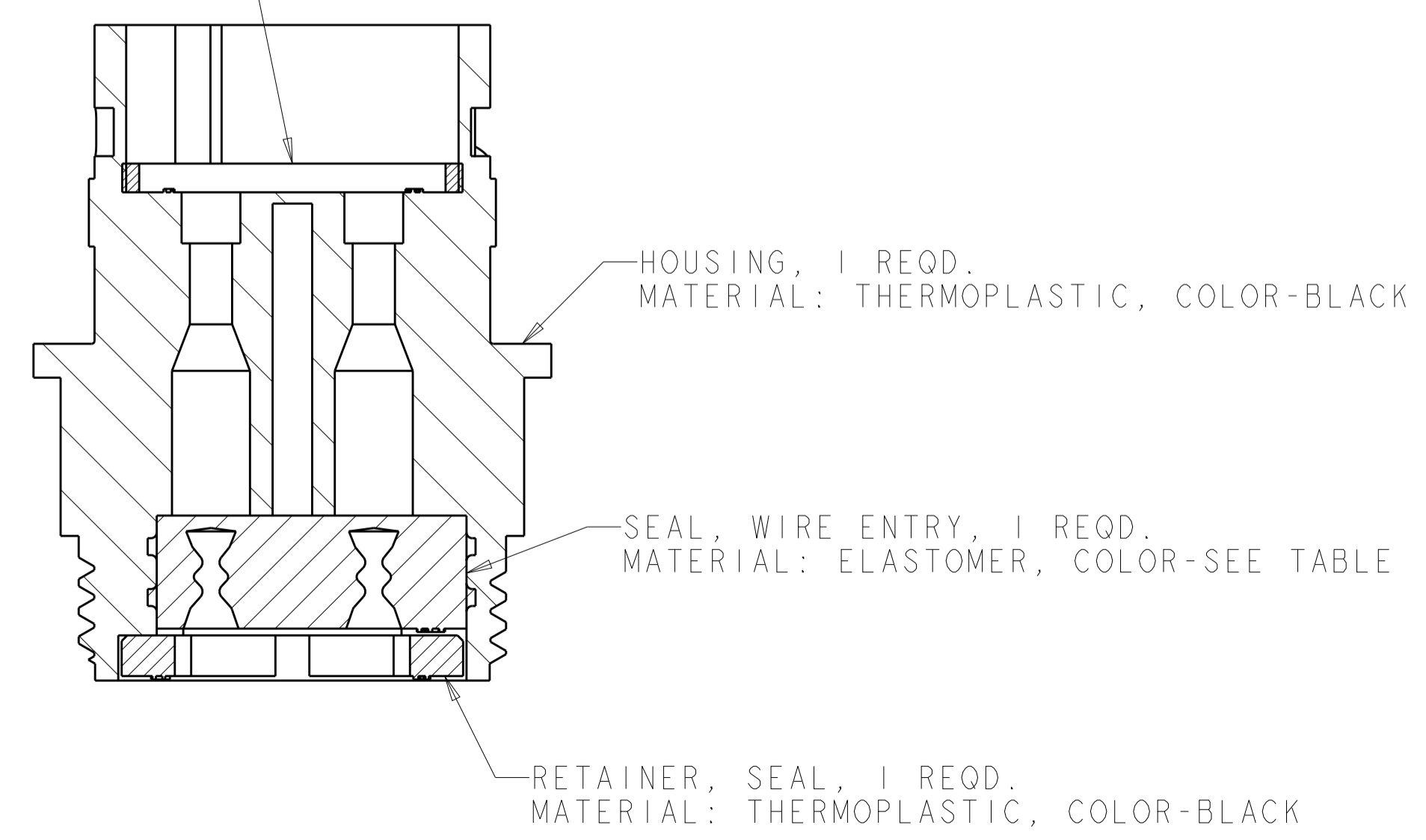
REVISIONS				
P.	LTM	DESCRIPTION	DATE	OWN APVD
B1		REVISED PER ECO-15-010004	11JUL2015	NK MZ
C		REVISED PER ECO-16-018352	23MAR2017	RS MZ



ALIGNMENT DOT, COLOR-WHITE



SEAL, PERIPHERAL, 1 REQD. MATERIAL: ELASTOMER, COLOR-GRAY



SECTION X-X

OBSELETE	YELLOW	Ø0.75	135°	1445826-04
	NATURAL	Ø1.5	115°	1445826-03
OBSELETE	NATURAL	Ø1.5	135°	1445826-02
	YELLOW	Ø0.75	115°	1445826-01
	SEAL, WIRE ENTRY COLOR	Ø X REF	K REF	PART NUMBER

THIS DRAWING IS A CONTROLLED DOCUMENT. DWN: SHANE WIESE, 22OCT2001  
 CHK: G. DOUTY, 22OCT2001  
 APVD: H. WAKEEM, 13JUN2003

**STE** TE Connectivity

NAME: ASSEMBLY, SIZE 11, 8 POSITION, FREE HANGING, SEALED, MINI CPC

SIZE: A1 | CAGE CODE: 1445826 | DRAWING NO: 100779 | RESTRICTED TO: C

MATERIAL: SEE CALLOUT | FINISH: - | WEIGHT: - | CUSTOMER DRAWING | SCALE: 4:1 | SHEET: 1 OF 1 | REV: C