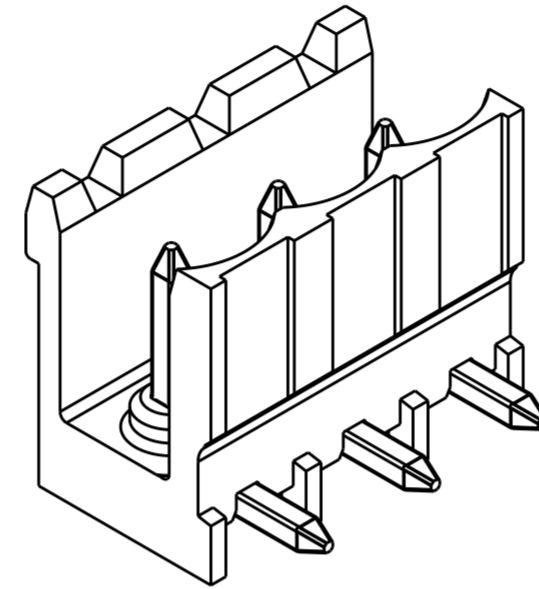
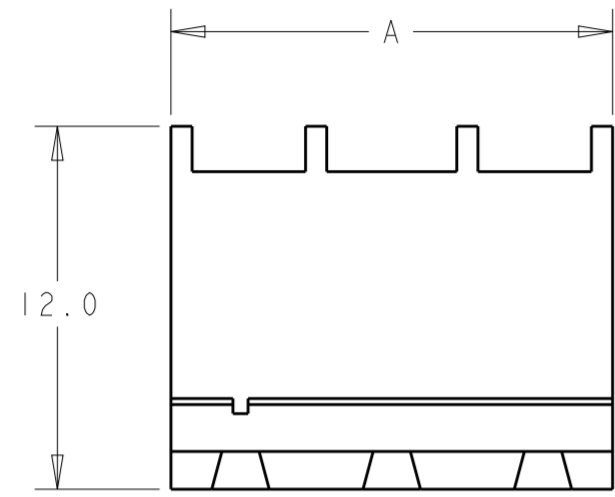


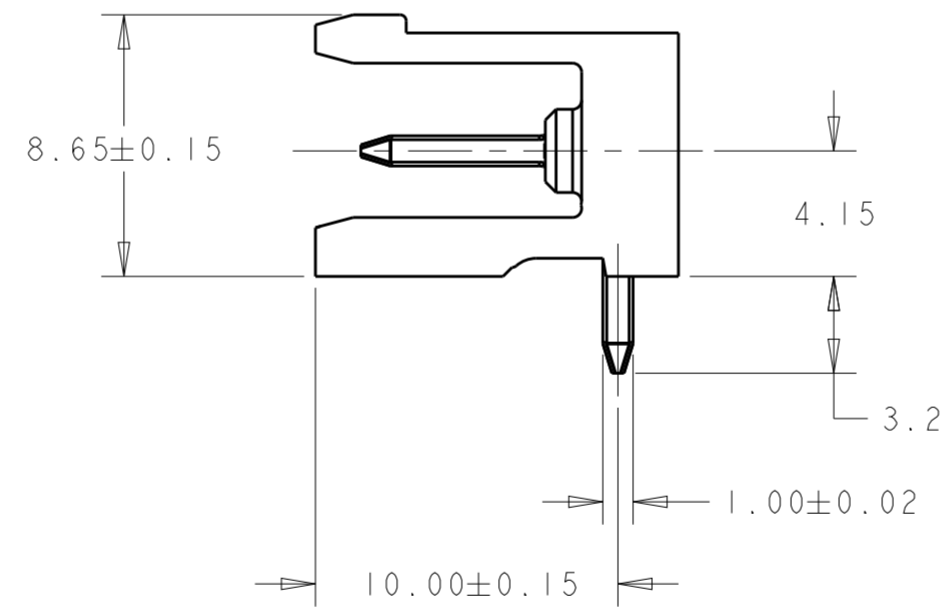
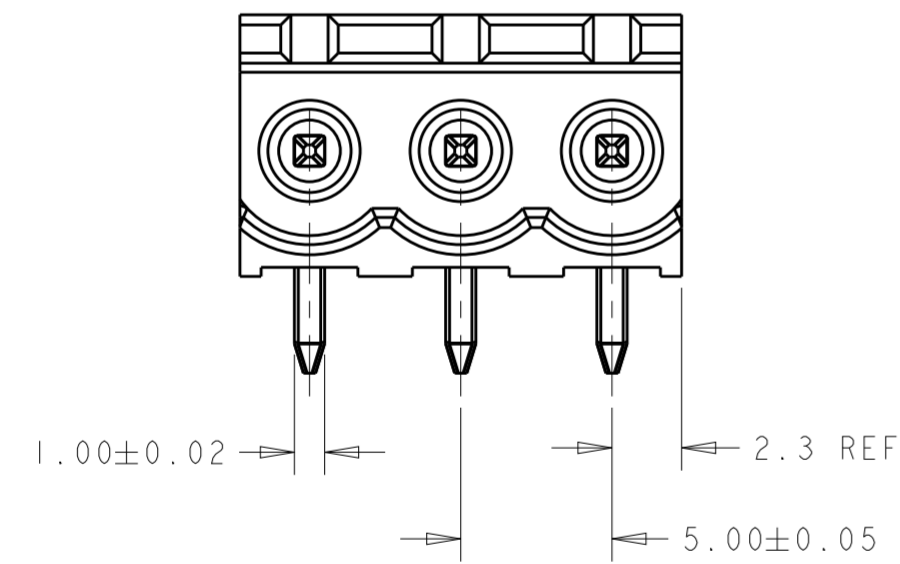
THIS DRAWING IS UNPUBLISHED. RELEASED FOR PUBLICATION 20  
 © COPYRIGHT 20 Tyco Electronics AMP GmbH ALL RIGHTS RESERVED.

REVISIONS				
P	LTR	DESCRIPTION	DATE	APVD
	A2	PART STATUS UPDATED	23JAN2018	RK PS

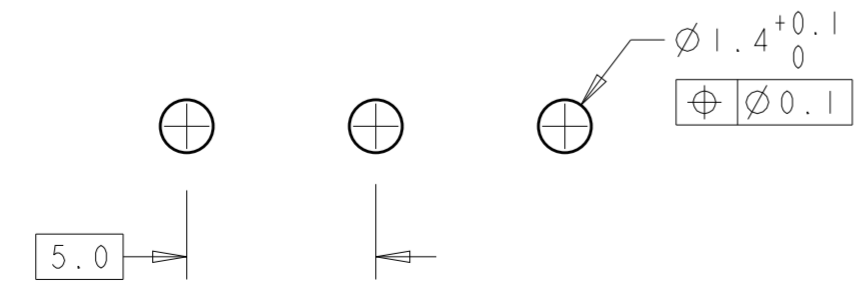


1776140-3 AS SHOWN

- 1. MATERIALS AND FINISH  
 HOUSING: HIGH TEMPERATURE POLYAMIDE, UL 94V-0 RATED,  
 COLOR: BLACK.  
 TERMINAL: COPPER ALLOY, TIN PLATED.
- 2. SUITABLE FOR 1,6-2,4mm PC BOARD THICKNESS.
- 3. END-TO-END STACKABLE WITHOUT LOSS OF CENTERLINE SPACING.
- 4. RECOGNIZED UNDER THE COMPONENT PROGRAM OF UNDERWRITERS LABORATORIES INC. FILE N° E60677.
- 5. IMQ CERTIFICATE WITH SURVEILLANCE IN CONFORMITY WITH IEC 998-1/998-2-1.
- 6. UL RATING: 300V, 15A.



OBSOLETE	59.6	12	<del>1-1776140-2</del>
	54.6	11	<del>1-1776140-1</del>
	49.6	10	<del>1-1776140-0</del>
	44.6	9	<del>1776140-9</del>
	39.6	8	<del>1776140-8</del>
	34.6	7	<del>1776140-7</del>
	29.6	6	<del>1776140-6</del>
	24.6	5	<del>1776140-5</del>
	19.6	4	<del>1776140-4</del>
	14.6	3	<del>1776140-3</del>
9.6	2	1776140-2	
A	NO OF POSN	PART NUMBER	



RECOMMENDED PC BOARD LAYOUT

THIS DRAWING IS A CONTROLLED DOCUMENT.		DWN S. WELDON 07JUN2005	<b>STE</b> TE Connectivity	
DIMENSIONS: mm		CHK C. RICHARD 07JUN2005		
TOLERANCES UNLESS OTHERWISE SPECIFIED:		APVD C. RICHARD 07JUN2005	NAME	
0 PLC ±-	1 PLC ±.2	PRODUCT SPEC	TERMINAL BLOCK HEADER ASSEMBLY	
2 PLC ±.25	3 PLC ±-	APPLICATION SPEC	90 DEGREE, OPEN ENDS, STACKING	
4 PLC ±-	ANGLES ±2	FINISH	SIZE	RESTRICTED TO
MATERIAL		114-20079	A2	-
CUSTOMER DRAWING		WEIGHT -	CAGE CODE	DRAWING NO
		SCALE 3:1	SHEET 1 OF 1	REV A2