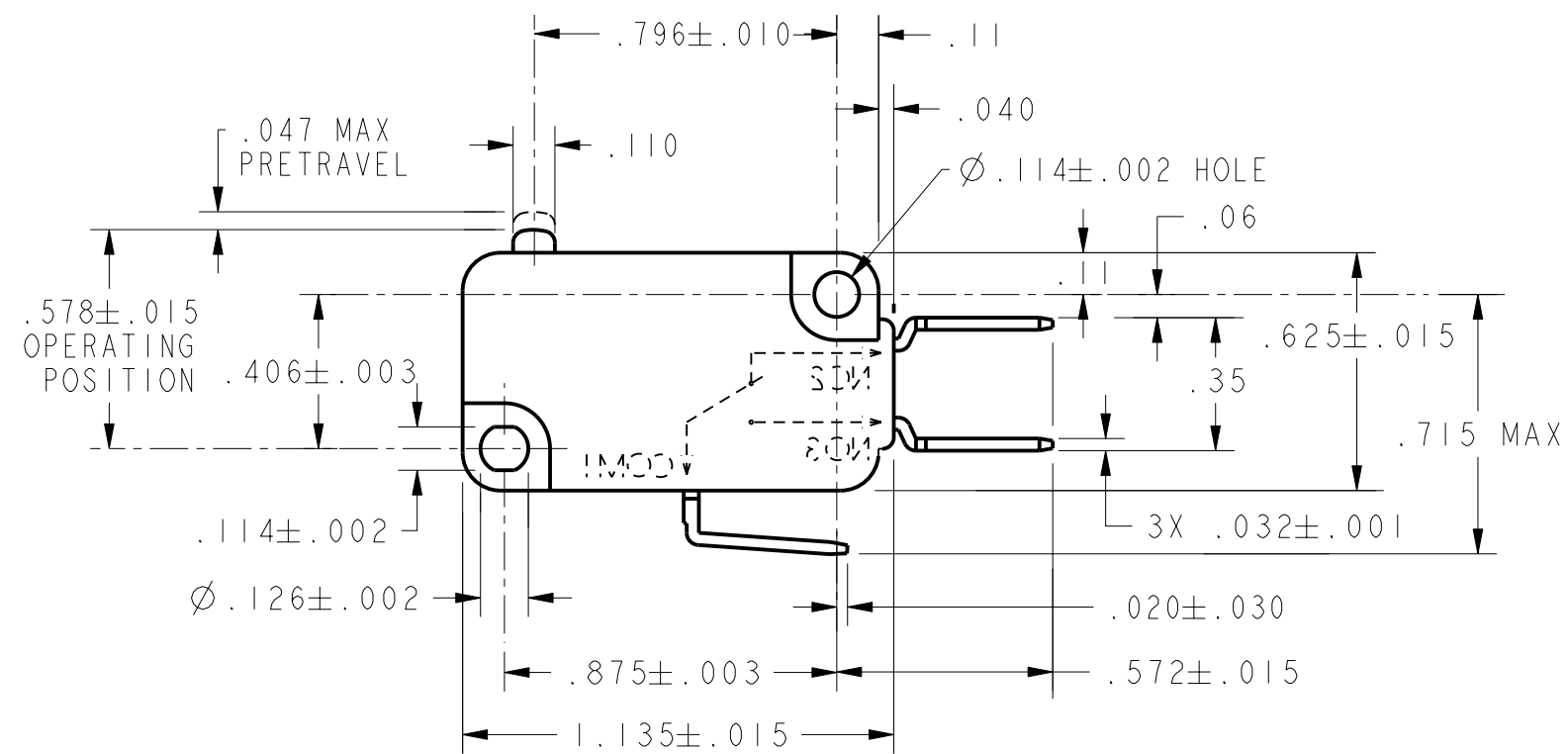
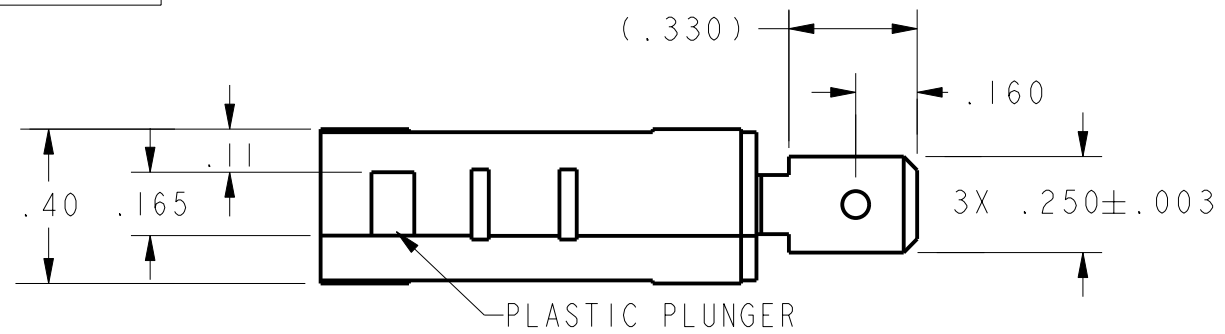


CW-B8667

REV	DOCUMENT	CHANGED BY	CHECK
8	202161	TSM 19JAN01	SAV
9	202466	TSM 1 MAR 01	SAV
10	207439	TSM 13FEB03	SAV



CHARACTERISTICS	
OPERATING FORCE	----·175 GRAMS MAX
RELEASE FORCE	----- 20 GRAMS MIN
DIFFERENTIAL TRAVEL	---- .002-.010
OVERTRAVEL	----- .050 MIN
FREE POSITION	----- .625 MAX
RELEASE TRAVEL	----- .010 MIN

ELECTRICAL DATA	
CONTACT ARRANGEMENT S P D T	
21A 1HP 125, 250, 277 VAC 2HP 250, 277 VAC	

UNLESS OTHERWISE SPECIFIED TOLERANCES ARE:			
	<input checked="" type="checkbox"/> US (inch) CUSTOMARY	<input type="checkbox"/> SI (mm) METRIC	
NO PLACE	X	±.040	±1
ONE PLACE	.X	±.030	±0,4
TWO PLACE	.XX	±.015	±0,15
THREE PLACE	.XXX	±.005	±
ANGLES		±	±
RAW MATERIAL-COMMERCIAL STANDARD			
THIRD ANGLE PROJECTION			

DRAWN	TSM	19JAN01
CHECK	SAV	19JAN01
THIS DRAWING COVERS A PROPRIETARY ITEM AND IS THE PROPERTY OF HONEYWELL. THIS DRAWING IS NOT TO BE COPIED OR USED WITHOUT THE PERMISSION OF HONEYWELL.		
PTC 2D	ASME Y14.5M-1994	

Honeywell			
TITLE SWITCH, BASIC			
SIZE	DWG TYPE	DRAWING NAME	REV
B	I	V7-1V19E9	10
SCALE	2:1	WEIGHT	SHEET 1 OF 1