

THIS DRAWING IS UNPUBLISHED.

RELEASED FOR PUBLICATION

2008

© COPYRIGHT 2008

Tyco Electronics AMP GmbH

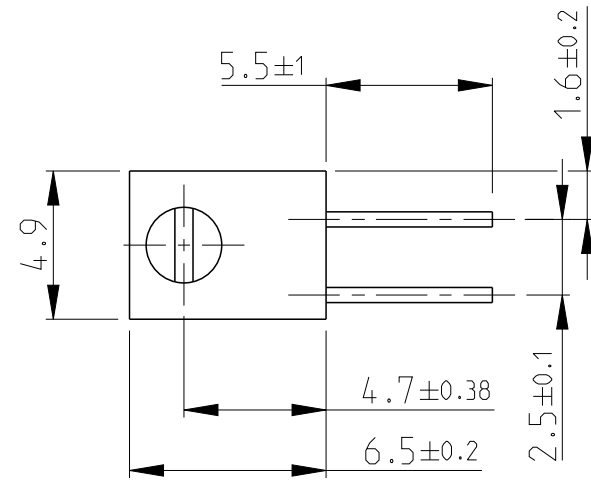
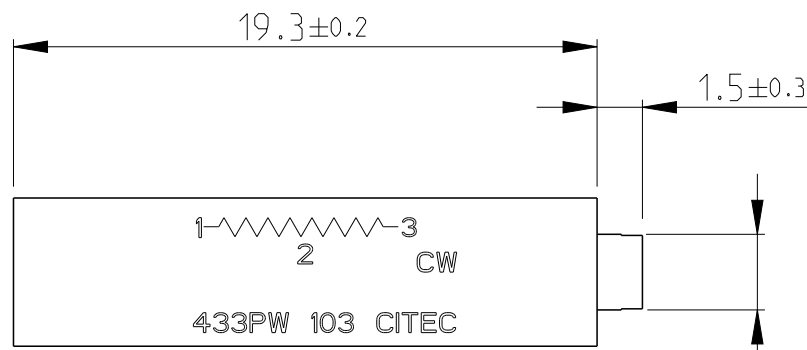
ALL RIGHTS RESERVED.

LOC
E

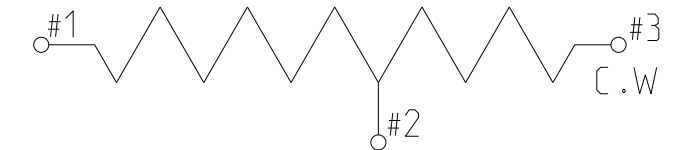
DIST
B

REVISIONS

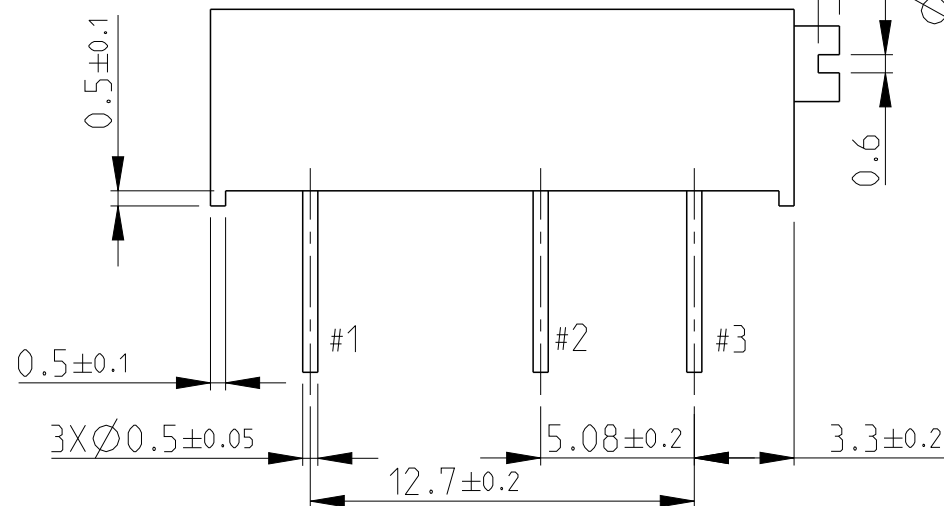
P	LTR	DESCRIPTION	DATE	DWN	APVD
	BB	ECR-16-007670	26MAY2016	KR	TN



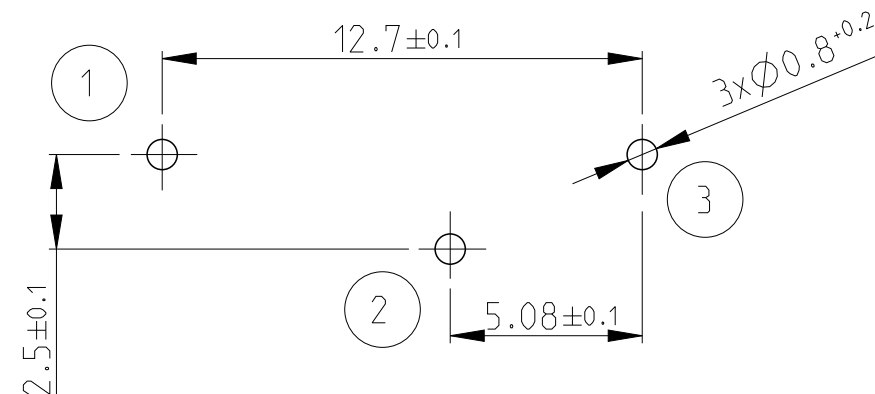
FOR FURTHER INFORMATION SEE DATA SHEET FOR 433 SERIES-PROFESSIONAL TRIMMERS



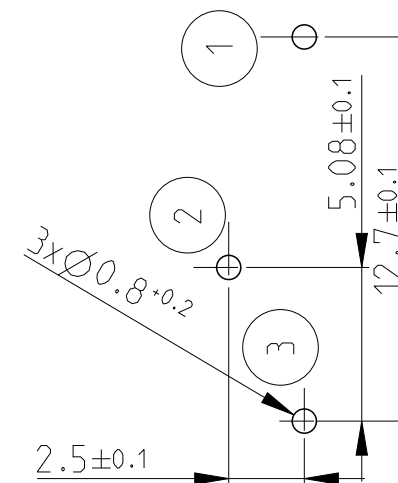
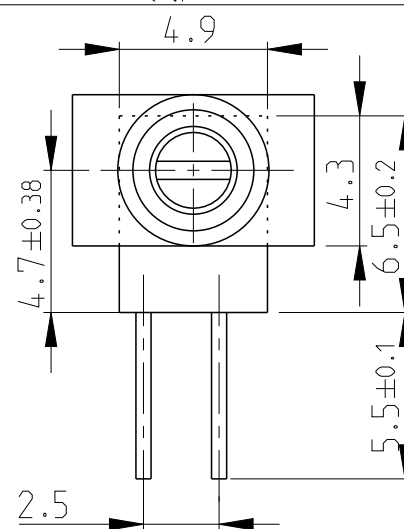
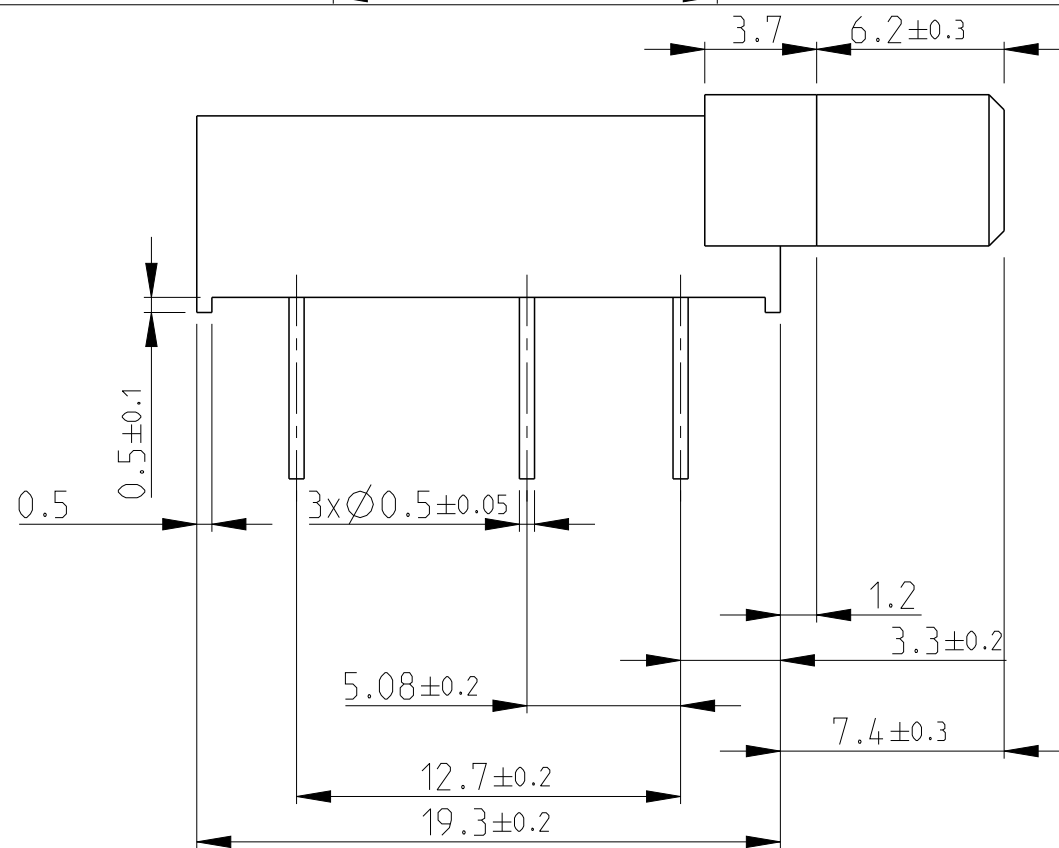
CIRCUIT DIAGRAM



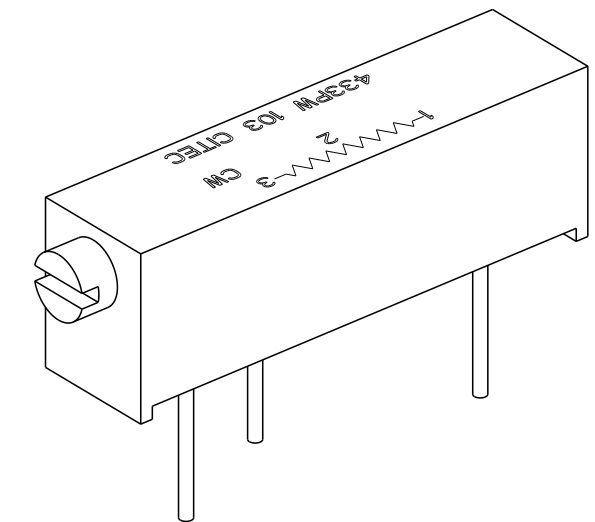
PCB Piercing Plan



RoHS Compliant



PCB Piercing Plan



THIS DRAWING IS A CONTROLLED DOCUMENT.

DWN	SUBHASH	07-07-08
CHK	PRAKASH	07-07-08
APVD	STEPHEN.P	07-07-08



DIMENSIONS:	TOLERANCES UNLESS OTHERWISE SPECIFIED:
mm	
0 PLC	±0.5
1 PLC	±0.2
2 PLC	±0.1
3 PLC	±
4 PLC	±
ANGLES	±1°
MATERIAL	FINISH
-	-

NAME	PROFESSIONAL TRIMMERS
PRODUCT SPEC	SERIES 433
APPLICATION SPEC	-
WEIGHT	-

SIZE	CAGE CODE	DRAWING NO	RESTRICTED TO
A3	00779	C=1623866	-

CUSTOMER DRAWING SCALE 4:1 SHEET 1 OF 1 REV BB