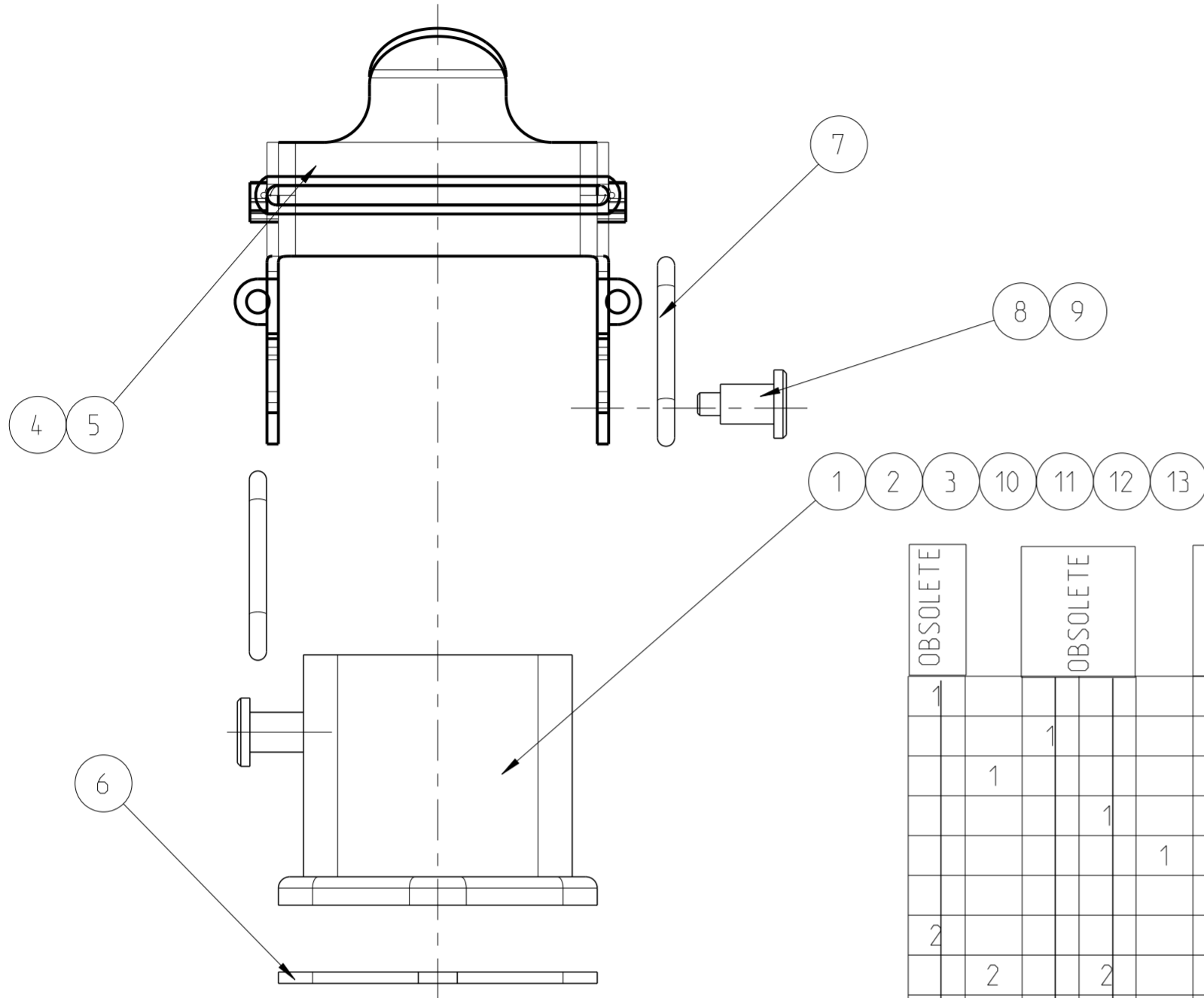


THIS DRAWING IS UNPUBLISHED. RELEASED FOR PUBLICATION  
 © COPYRIGHT - ALL RIGHTS RESERVED.

LOC		DIST		REVISIONS			
P	LTR	DESCRIPTION	DATE	DWN	APVD		
A11		REVISED PER ECO-11-005150	31MAR2011	RK	HMR		
A12		ECR-16-015318	16AUG2017	GR	MKO		
A13		ECR-16-016768	15NOV2017	GR	MKO		

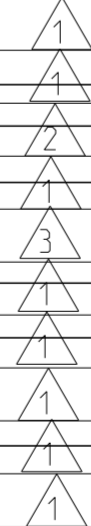


NOTES

- 1 PART SHALL BE FREE AND CLEAN OF BURRS AND OTHER FOREIGN MATERIAL
- 2 PACKAGING: QUANTITY 10 PIECES
- 3 SPECIAL PACKAGING:  
PACKAGING UNIT: 100 PIECES

QTY	UNIT	DESCRIPTION	MATERIAL	SURFACE	COLOR	ITEM	NOTES
1		SURFACE MOUNTED HOUSING BOTTOM ENTRY	ZINC DICAST	CHROMOLUX-K-BLUE CHR.	METALLIC SILVER	15	
1		SURFACE MOUNTED HOUSING BOTTOM ENTRY	ZINC DICAST		BLACK	14	
1		SURFACE MOUNTED HOUSING BOTTOM ENTRY	ZINC DICAST		BLUE	13	
1		SURFACE MOUNTED HOUSING BOTTOM ENTRY	ZINC DICAST	CHROMOLUX-K-BLUE CHR.	BLANC	12	
1		SURFACE MOUNTED HOUSING BOTTOM ENTRY	ZINC DICAST		GREY	11	
1		SURFACE MOUNTED HOUSING BOTTOM ENTRY	ZINC DICAST		WITHOUT VARNISH	10	
2		FIXING BOLT	STAINL. STEEL			9	
2		FIXING BOLT	STEEL	ZINC PLATED	BLACK	8	
2		CLIP SPRING	STAINL. STEEL			7	
1		FLANGE SEAL	NEOPRENE		BLACK	6	
1		SIDE CLIP	STAINL. STEEL			5	
1		SIDE CLIP	STEEL	ZINC PLATED	BLUE	4	
1		SURFACE MOUNTED HOUSING BOTTOM ENTRY	ZINC DICAST		WHITE ALU.	3	
1		SURFACE MOUNTED HOUSING BOTTOM ENTRY	ZINC DICAST		BLACK	2	
1		SURFACE MOUNTED HOUSING BOTTOM ENTRY	ZINC DICAST		GREY	1	

- HA.3.AG-LB
- HA-K.3.AG-LB
- HA.3.AG-LB-SO
- HA-K.3.AG-LB
- HA.3.AG-LB.KM
- HA.3.AG
- HA-EMV.3.AG-LB
- HA.3.AG-LB
- HA.3.AG-LB
- HA-EMV-K.3.AG-LB



THIS DRAWING IS A CONTROLLED DOCUMENT.

DWN: R. SCHNEIDER 09MAR2010  
 CHK: T. SCHNURPEIL 09MAR2010  
 APVD: -

**STE** TE Connectivity

NAME: SURFACE MOUNTED HOUSING BOTTOM ENTRY ASSY HA.3

SIZE: A2 | CAGE CODE: 100779 | DRAWING NO: C-1102105 | RESTRICTED TO: -

MATERIAL: - | DIMENSIONS: mm | TOLERANCES UNLESS OTHERWISE SPECIFIED: 0 PLC ±, 1 PLC ±, 2 PLC ±, 3 PLC ±, 4 PLC ±, ANGLES ±°, FINISH -

PRODUCT SPEC: - | APPLICATION SPEC: - | WEIGHT: -

CUSTOMER DRAWING | SCALE: 5:1 | SHEET: 1 OF 1 | REV: A13