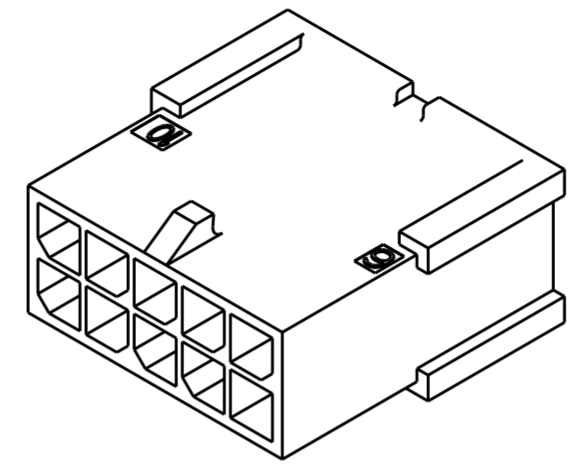
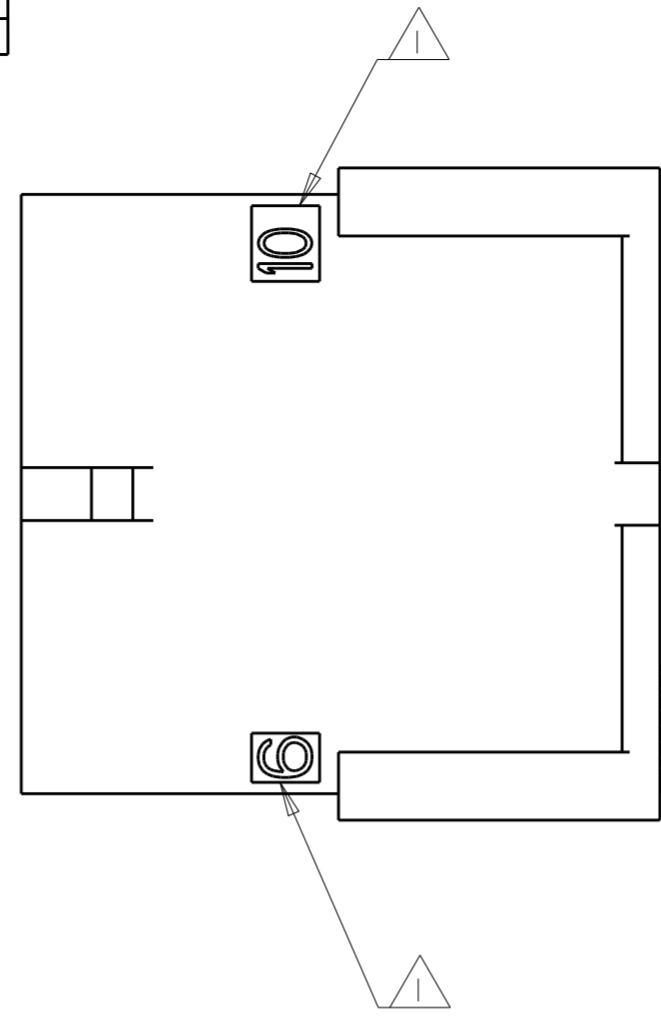
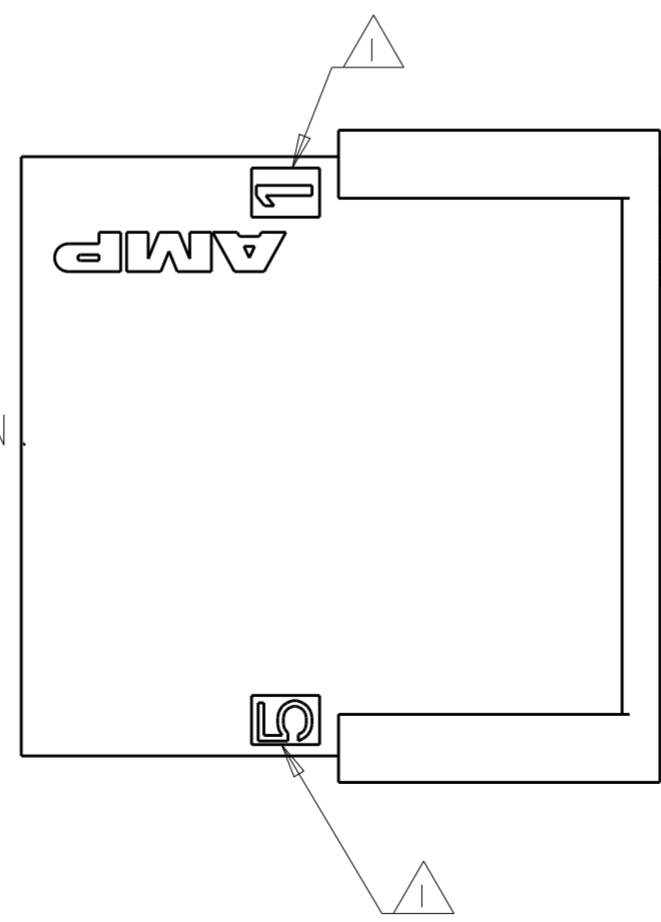
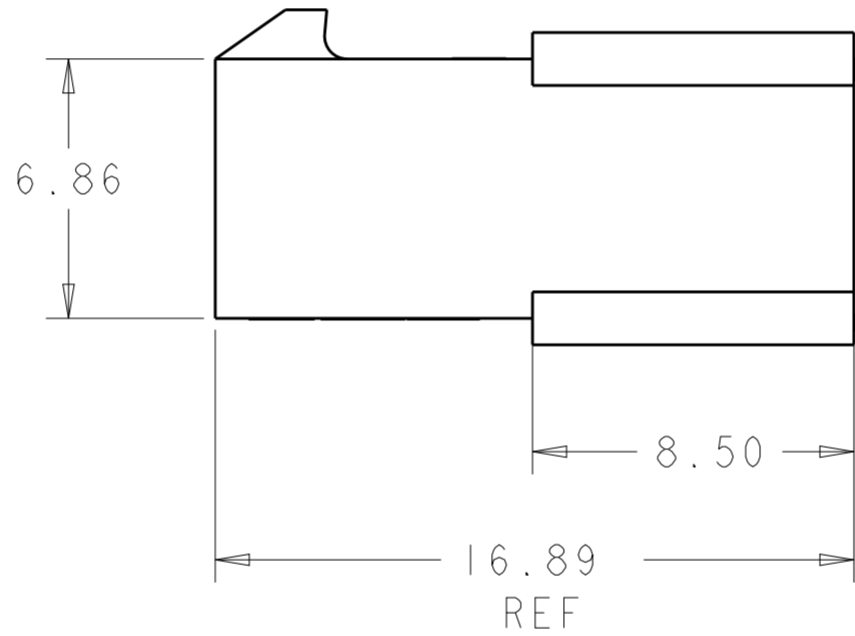
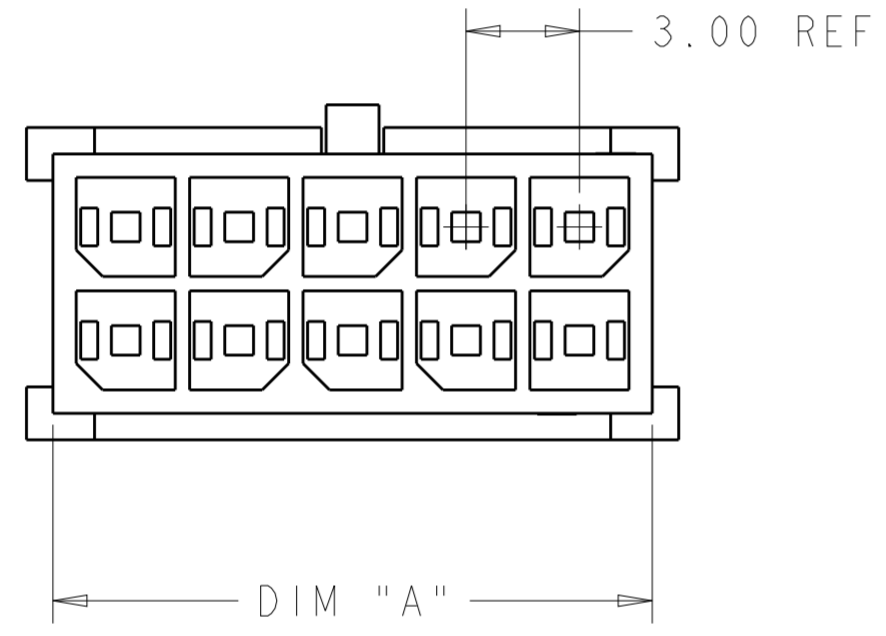


THIS DRAWING IS UNPUBLISHED. RELEASED FOR PUBLICATION 20
 © COPYRIGHT 20 BY - ALL RIGHTS RESERVED.

LOC		DIST		REVISIONS			
P	LTR	DESCRIPTION	DATE	DWN	APVD		
P5		REVISED PER ECR-16-013672	17OCT2016	BW	SC		
P6		REVISED PER ECO-17-007352	10MAY2017	CX	DZ		



SCALE 3:1



- ① CIRCUIT IDENTIFIERS LOCATED APPROXIMATELY AS SHOWN.
- ② MATERIAL NYLON66/6 V0 UL94.
- ③ MATERIAL PA6 V0 UL94.
- ④ MATERIAL PA66 V0 GW UL94.
- ⑤ PRELIMINARY PART NOT RELEASED FOR PRODUCTION.

REMARK	DIM A	NO. OF POS.	PART NUMBER
④ ⑤	36.85	24	5-794616-4
	30.85	20	5-794616-0
	24.85	16	4-794616-6
	21.85	14	4-794616-4
	18.85	12	4-794616-2
④	15.85	10	3-794616-0
	9.85	6	3-794616-6
	6.85	4	3-794616-4
	3.85	2	3-794616-2
	12.85	8	3-794616-8
③ ⑤	12.85	8	2-794616-8
	36.85	24	2-794616-4
②	33.85	22	2-794616-2
	30.85	20	2-794616-0
	27.85	18	1-794616-8
	24.85	16	1-794616-6
	21.85	14	1-794616-4
	18.85	12	1-794616-2
	15.85	10	1-794616-0
	12.85	8	794616-8
	9.85	6	794616-6
	6.85	4	794616-4
	3.85	2	794616-2

THIS DRAWING IS A CONTROLLED DOCUMENT.		DWN W J RUDY 29AUG2000	TE Connectivity	
DIMENSIONS: mm		CHK W DAVIS 29AUG2000		
TOLERANCES UNLESS OTHERWISE SPECIFIED:		APVD W DAVIS 29AUG2000		
0 PLC ± 1 PLC ± 2 PLC ±0.13 3 PLC ± 4 PLC ± ANGLES ± FINISH ±		PRODUCT SPEC 108-1836 APPLICATION SPEC 114-13000 WEIGHT -		
MATERIAL ② ③ ④		Customer Drawing	NAME PLUG HOUSING, 2 to 24 POSITION DUAL ROW, FREE HANGING, MICRO MATE-N-LOK(TM)	RESTRICTED TO
		SCALE 5:1	SIZE A2 CAGE CODE 00779 DRAWING NO C-794616	
			SHEET 1 OF 1	REV P6