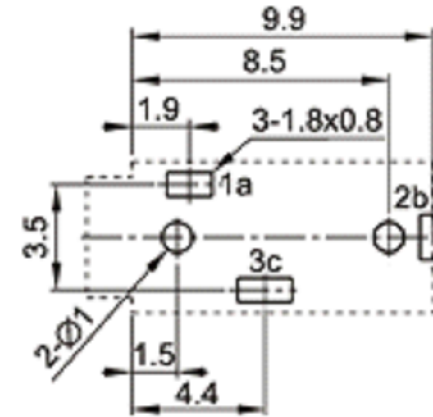
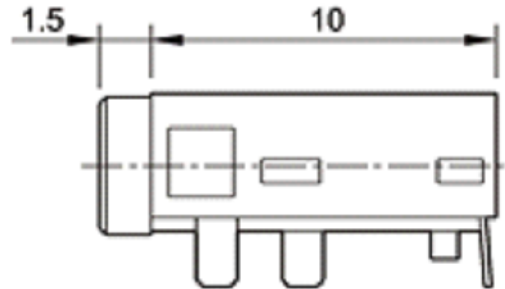
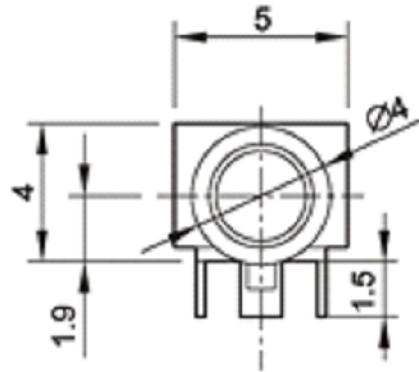
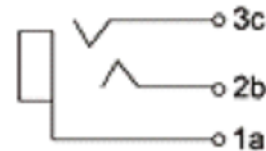


ISS.	AMEND	DATE
1	ISSUED	15/11/17
2	DEL MONO/STEREO	08/03/18



**BOTTOM VIEW**



**SCHEMATIC**

**NOTE:** SHORT LEGS USE ON ≤1mm THICK PCB

**RoHS**  
✓ **COMPLIANT**

**TOLERANCE**  
 NO DEC. PLACE ±  
 1 DEC. PLACE ±  
 2 DEC. PLACE ±  
 HOLE Ø ±  
 ANGLES ±  
 UNLESS OTHERWISE STATED

DO NOT SCALE

**Cliff Electronic Components Ltd.**

76 Holmethorpe Avenue, Holmethorpe Industrial Estate,  
 Redhill, Surrey, RH1 2PF, England, UK  
 Tel: 01737-771375 Fax: 01737-766012 Website: www.cliffuk.co.uk

DIMENSIONS IN MILLIMETERS UNLESS OTHERWISE STATED. WORK TO DIMENSIONS. REMOVE ALL BURRS. IF IN DOUBT ASK.

ANGLE PROJECTION:

MATERIAL: COMPOSITE

FINISH: CLEAN

DRAWN: T.J.O.

APPROVED: D.P.J.

TITLE: LOW PROFILE 2.5mm JACK PCB

DRWG. No. **FC68105**

FORM: A4DRWGH