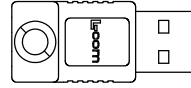
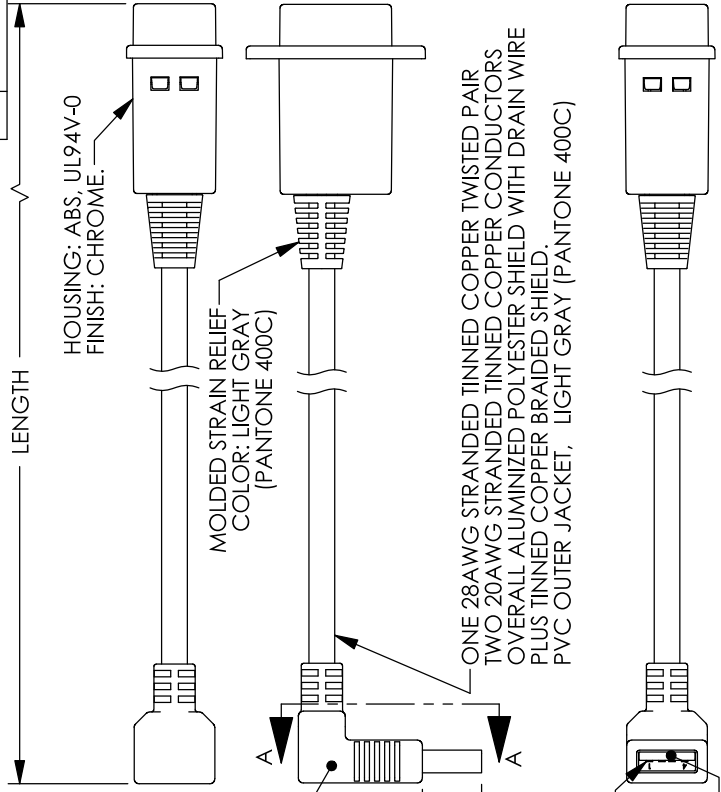
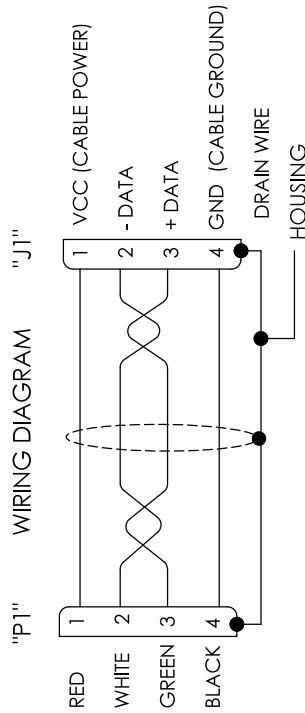


THE INFORMATION CONTAINED IN THIS DRAWING IS THE SOLE PROPERTY OF L-COM, INC. ANY REPRODUCTION IN PART OR WHOLE WITHOUT THE WRITTEN PERMISSION OF L-COM, INC. IS PROHIBITED.

PART NUMBER	LENGTH	
	INCHES	MM
U2A00007-12I	12.0	[304.8]
U2A00007-24I	24.0	[609.6]
U2A00007-36I	36.0	[914.4]
U2A00007-72I	72.0	[1828.8]
U2A00007-120I	120.0	[3048.0]



SECTION A-A
SCALE 1:1.5

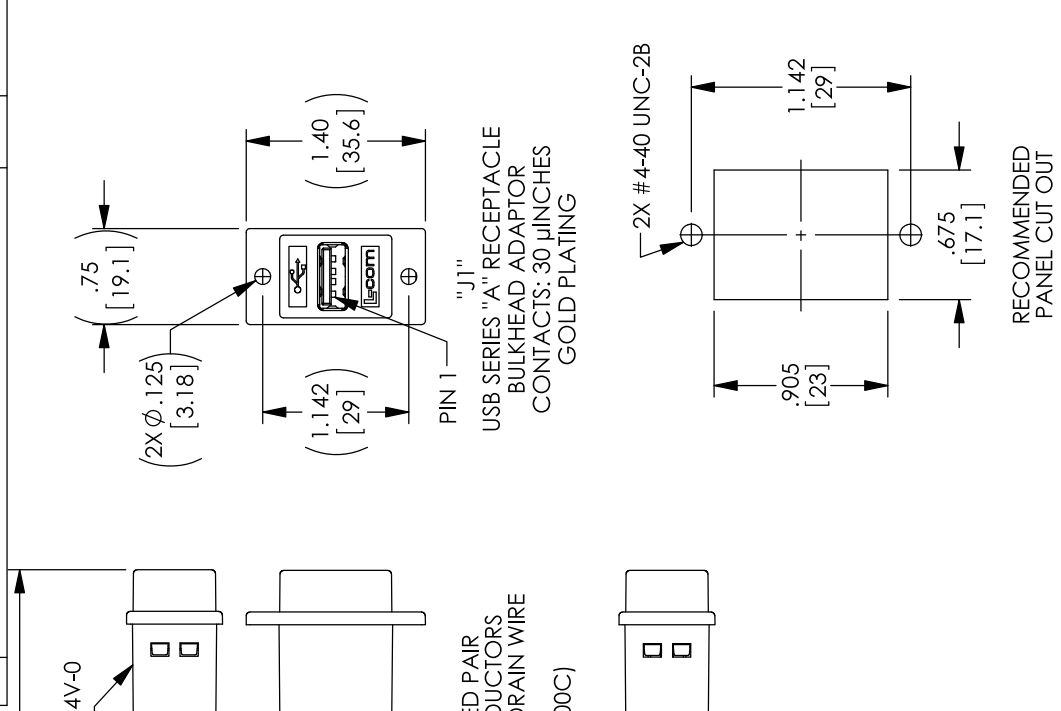


NOTES:

1. OPERATING TEMPERATURE: -10°C TO +70°C
2. CABLE ASSEMBLY SHALL MEET USB 2.0 REQUIREMENTS.
3. CABLE ASSEMBLY SHALL BE TESTED FOR CONTINUITY.
4. CABLE ASSEMBLY SHALL BE INDIVIDUALLY PACKAGED IN ACCORDANCE WITH L-COM SPECIFICATION PS-0031.

REGULATORY COMPLIANCE:
CE2011/65/EU (RoHS DIRECTIVE)

REV	DESCRIPTION	DATE	APPROVED
A	INITIAL RELEASE	06/28/17	J.LABOY



APPROVALS	DATE	 50 HIGH STREET NORTH ANDOVER, MA 01845 USB CATEGORY
DRAWN BY S.L.I.	06/05/17	
CHECKED BY B.ZHANG	06/05/17	
APPROVED BY B.GATES	06/07/17	PRODUCT DESCRIPTION USB2.0 A-F PNL MNT/90DN A-M SHLD
UNLESS OTHERWISE SPECIFIED, DIMENSIONS ARE IN INCHES [mm]		
OVERALL CABLE LENGTH TOLERANCE: ≤12 [305] = +1 [25] / -0 >12 [305] ≤60 [1524] = +2 [51] / -0 >60 [1524] ≤120 [3048] = +4 [102] / -0 >120 [3048] ≤300 [7620] = +5% / -0%		
ALL OTHER DIMENSIONAL TOLERANCES: XX = ±.2 [5.08] XX = ±.02 [51] XXX = ±.005 [127]		
PROJECTION		
CONFIGURATION DETAILS OF UNDIMENSIONED FEATURES MAY VARY		
COLOR VARIATIONS MAY OCCUR		
SIZE	FCM NO.	REV.
A	43321	A
SCALE: NONE	DWG. NO.	
	U2A00007	
	CAD FILE: U2A00007.SLDDRW	SHEET 1 OF 1