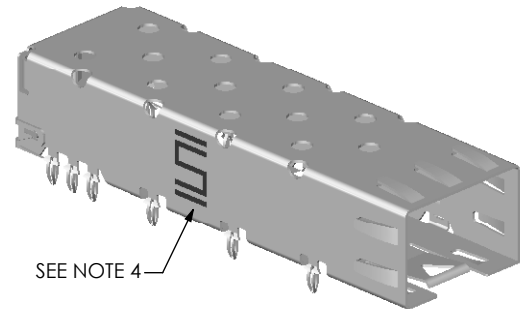


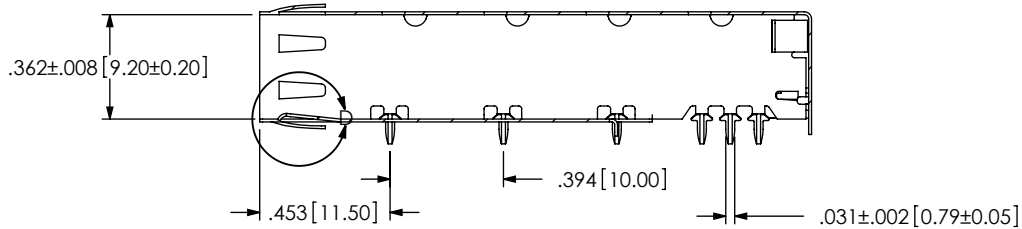
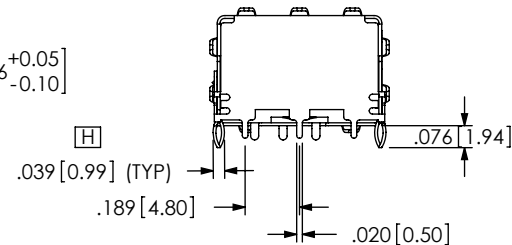
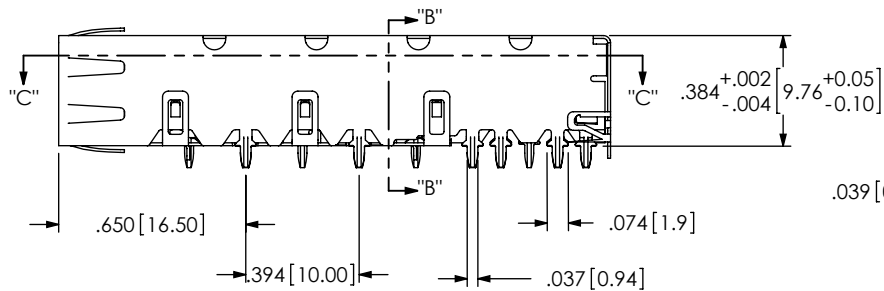
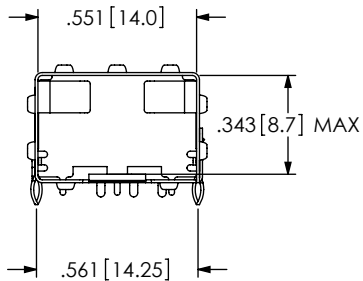
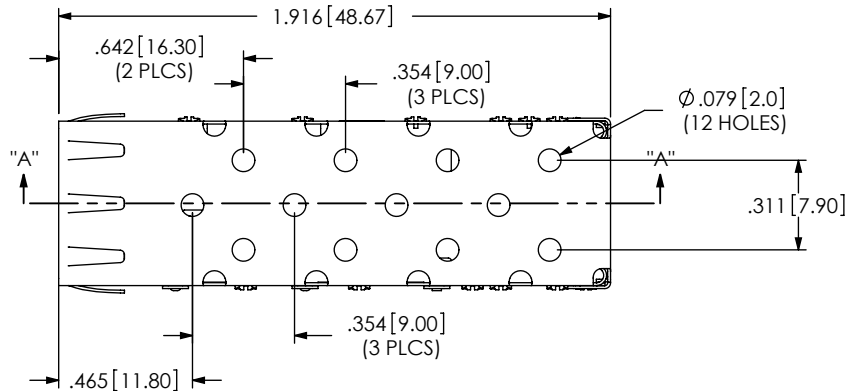
NOTES:

1. CAGES COMPLIES WITH SFP MSA STANDARDS.
2. Ⓞ REPRESENTS A CRITICAL DIMENSION.
3. BOWING OF BOTTOM SURFACE MAY NOT EXCEED .010[.25].
4. SUPPLIER TO LOCATE LOGO IN THE AREA SHOWN.

DO NOT SCALE FROM THIS PRINT



SEE NOTE 4



SECTION A-A

UNLESS OTHERWISE SPECIFIED, DIMENSIONS ARE IN INCHES. TOLERANCES ARE:
 DECIMALS ANGLES
 .XX: ±.01 [.3] 2°
 .XXX: ±.005 [13]
 .XXXX: ±.0020 [051]

PROPRIETARY NOTE
 THIS DOCUMENT CONTAINS INFORMATION CONFIDENTIAL AND PROPRIETARY TO SAMTEC, INC. AND SHALL NOT BE REPRODUCED OR TRANSFERRED TO OTHER DOCUMENTS OR DISCLOSED TO OTHERS OR USED FOR ANY PURPOSE OTHER THAN THAT WHICH IT WAS OBTAINED WITHOUT THE EXPRESSED WRITTEN CONSENT OF SAMTEC, INC.

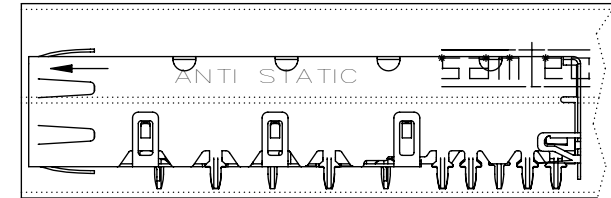
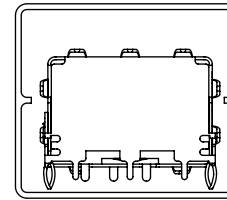
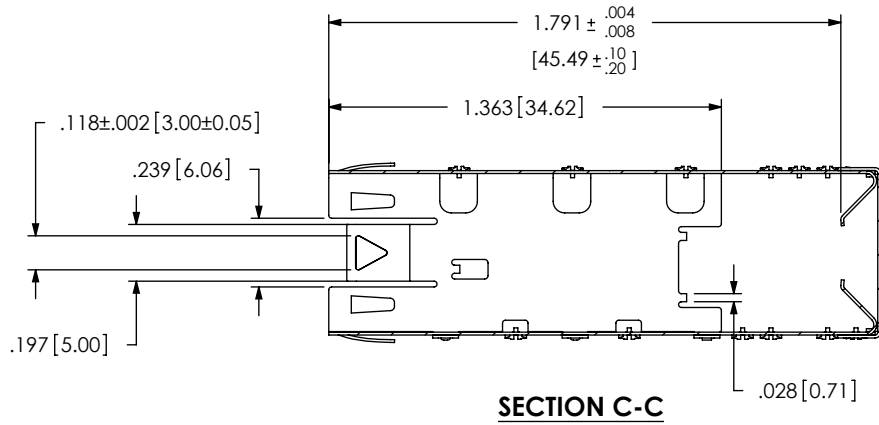


520 PARK EAST BLVD, NEW ALBANY, IN 47150
 PHONE: 812-944-6733 FAX: 812-948-5047
 e-Mail: info@SAMTEC.com code: 55322

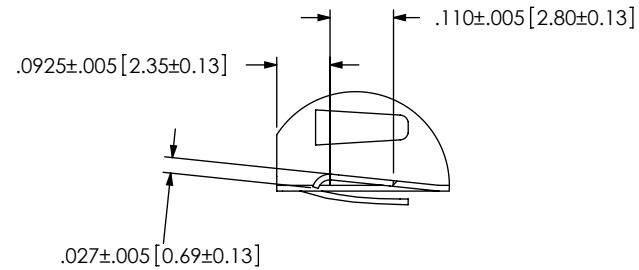
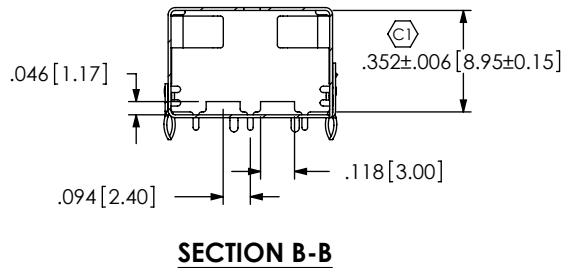
DO NOT SCALE DRAWING		SHEET SCALE: 1.5:1		DESCRIPTION: SFPC-PF CAGE	
MATERIAL: 301 HALF HARD SST		THICKNESS: .010 [.254] ±.0005		DWG. NO. SFPC-PF	
F:\DWG\MISC\MKTG\SFPC-PF-MKT.SLDDRW		BY: CLAY W 7/21/2003		SHEET 1 OF 2	

PACKAGING VIEW

(LOAD PARTS WITH OPEN END IN
DIRECTION OF ARROW ON TUBE)



TUBE: PT-1-24-04-56
PLUG: TP-25



PROPRIETARY NOTE
THIS DOCUMENT CONTAINS INFORMATION
CONFIDENTIAL AND PROPRIETARY TO
SAMTEC, INC. AND SHALL NOT BE REPRODUCED
OR TRANSFERRED TO OTHER DOCUMENTS OR
DISCLOSED TO OTHERS OR USED FOR ANY
PURPOSE OTHER THAN THAT WHICH IT WAS
OBTAINED WITHOUT THE EXPRESSED WRITTEN
CONSENT OF SAMTEC, INC.

DO NOT SCALE DRAWING

SHEET SCALE: 1:0.666667

samtec

520 PARK EAST BLVD, NEW ALBANY, IN 47150
PHONE: 812-944-6733 FAX: 812-948-5047
e-Mail: info@SAMTEC.com code: 55322

DESCRIPTION:
SFPC-PF CAGE

DWG. NO.
SFPC-PF

BY: CLAY W 7/21/2003 SHEET 2 OF 2