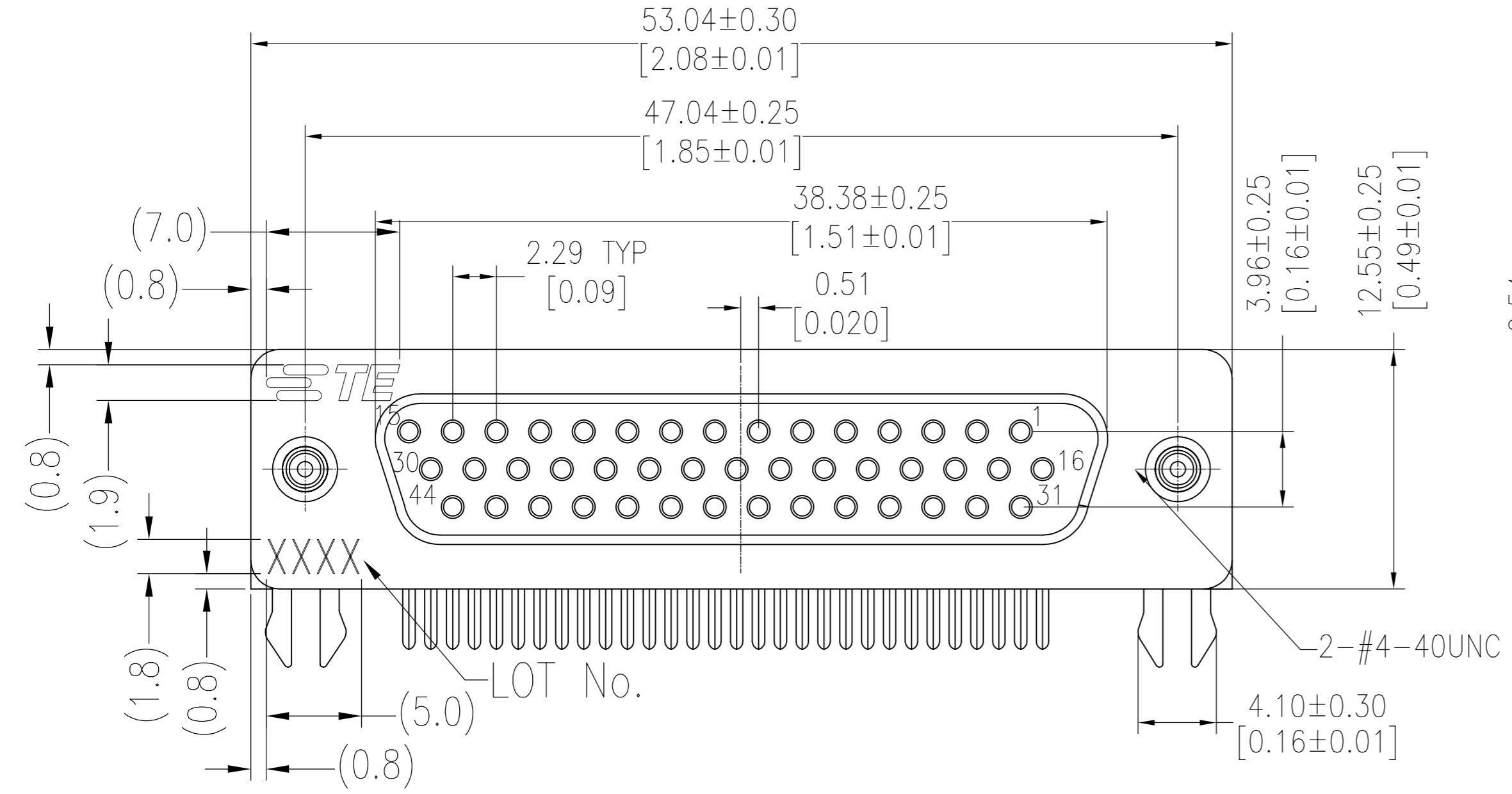
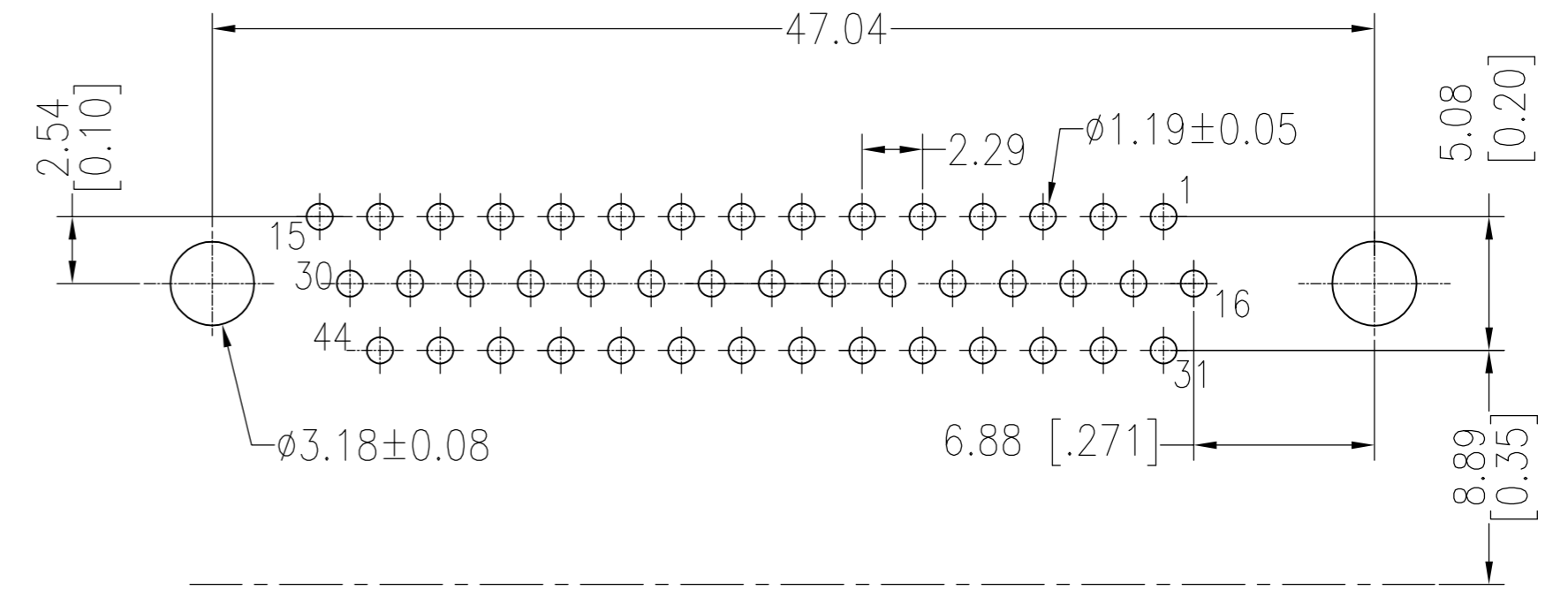


THIS DRAWING IS UNPUBLISHED. RELEASED FOR PUBLICATION. ALL RIGHTS RESERVED. COPYRIGHT - TE Connectivity

REVISIONS					
P	LTR	DESCRIPTION	DATE	DWN	APVD
C		REVISED PER ECO-17-016472	04DEC2017	AP	DG



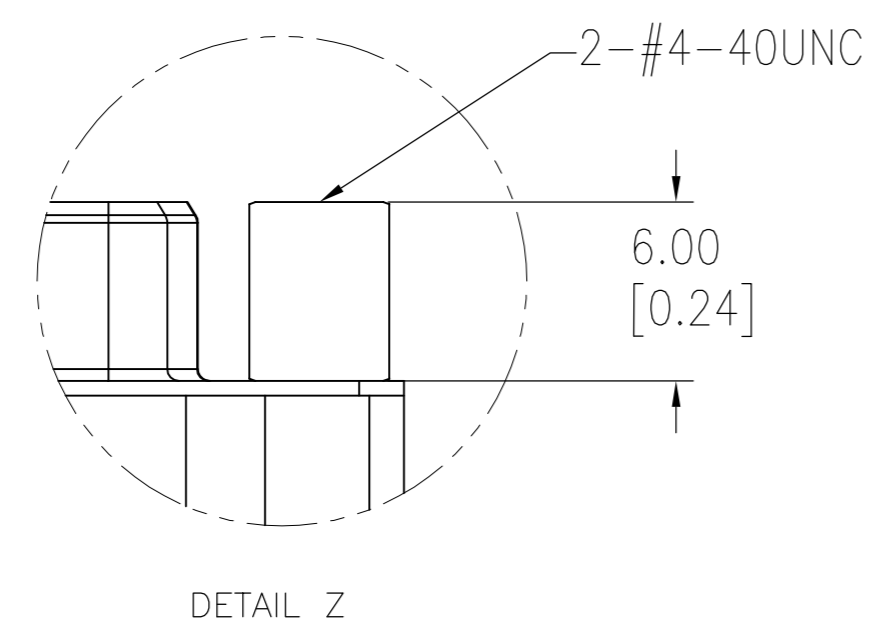
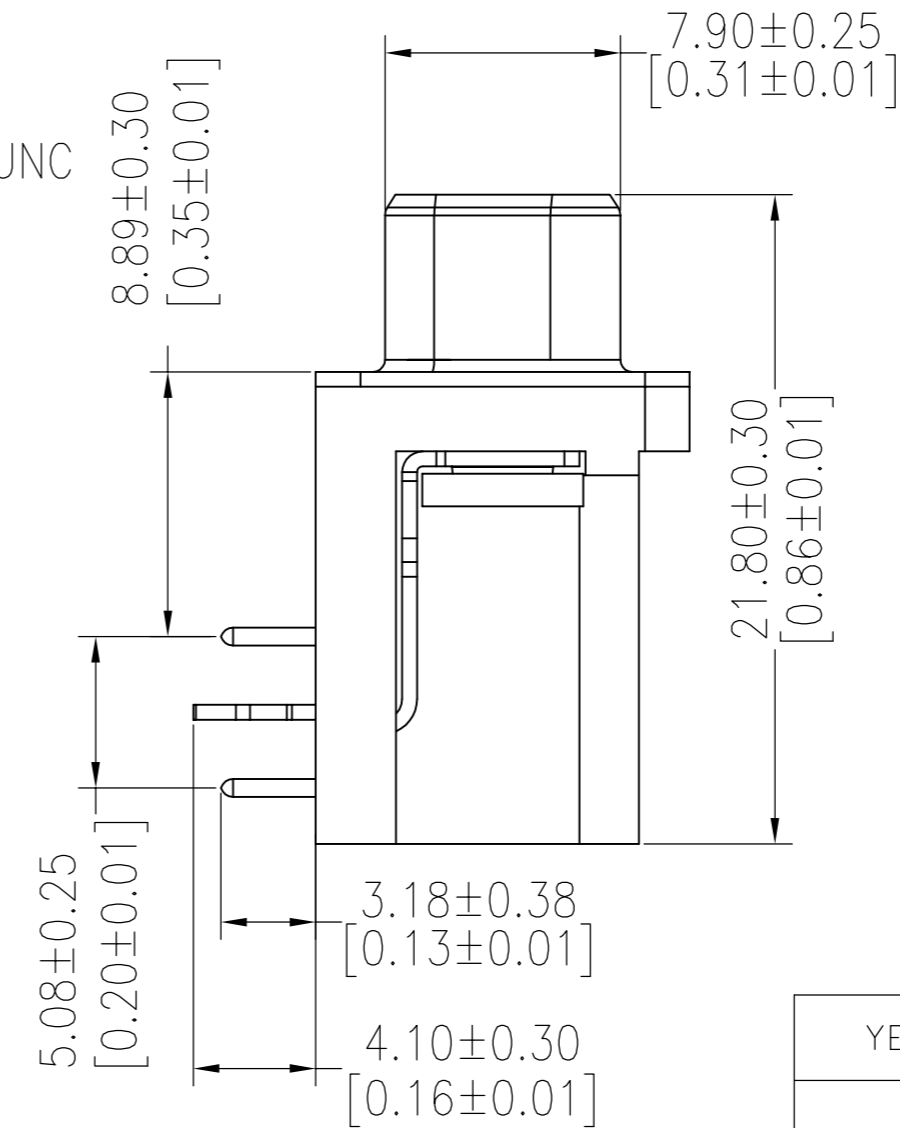
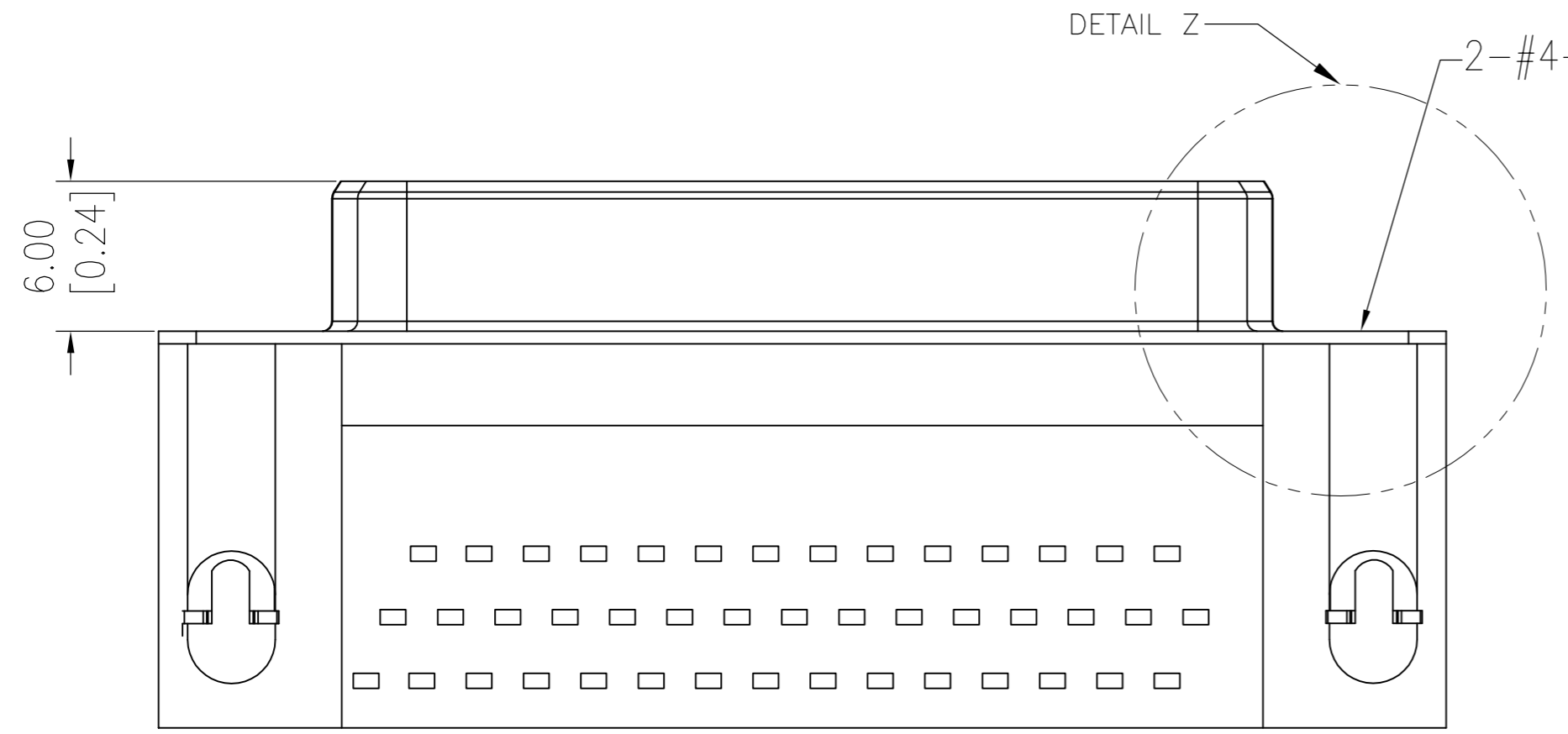
Recommended P.C.B Layout(Top Side)  
(PCB BOARD TOLERANCE±0.05)



NOTES:  
 Rated Current:3.0AMP  
 Contact Resistance:30mΩ max  
 Withstand Voltage:500V AC  
 Insulation Resistance:1000MΩ min  
 Operation Temperature:-55°C to +105°C

Insulator:PBT+G.F UL94V-0 BLACK  
 Contact:PHOSPHOR BRONZE  
 " GOLD PLATING ON CONTACT AREA  
 100u" MATTE TIN PLATING ON SOLDER TAIL  
 50u" NICKEL UNDERPLATED OVERALL  
 Holddown:Brass,100u" TIN OVER 50u" NICKEL  
 Steel: Cold Roller Steel, Ni Plated  
 Rivetlock:Brass, Nickel Plated

LOT NUMBER "XXXX"  
 ↳ Stands For Calendar Year  
 ↳ Stands For Week Number



YES SEE DETAIL Z	15μ" Au	2311770-2
THREADED	30μ" Au	2311770-1
SCREWLOCK	Contact Area	P/N
	Plating	

THIS DRAWING IS A CONTROLLED DOCUMENT.

DWN AJITH PAI 13MAR2017	TE Connectivity
CHK DANIEL GORENC 13MAR2017	
APVD DANIEL GORENC 13MAR2017	NAME AMPLIMITE RECEPTACLE, HD22, RIGHT ANGLE, 44P
MATERIAL	RESTRICTED TO
WEIGHT	SIZE A2
FINISH	CAGE CODE 00779
	DRAWING NO 2311770
	SCALE 1:1
	SHEET 1 OF 1
	REV C

CUSTOMER DRAWING