



PART NAME

NEMA 4X PLASTIC BOX (PTK SERIES)

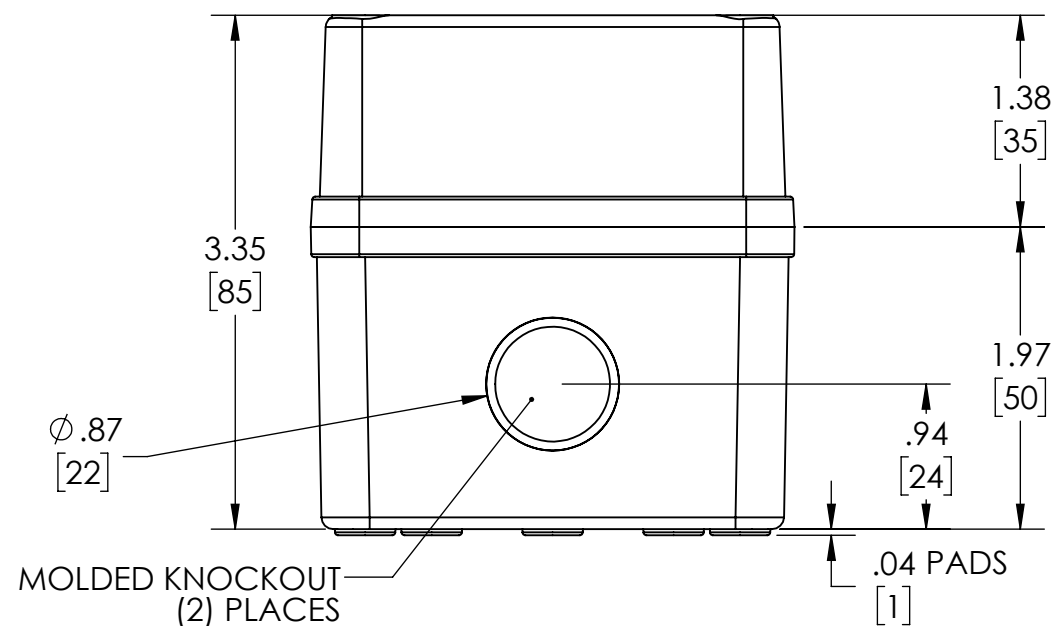
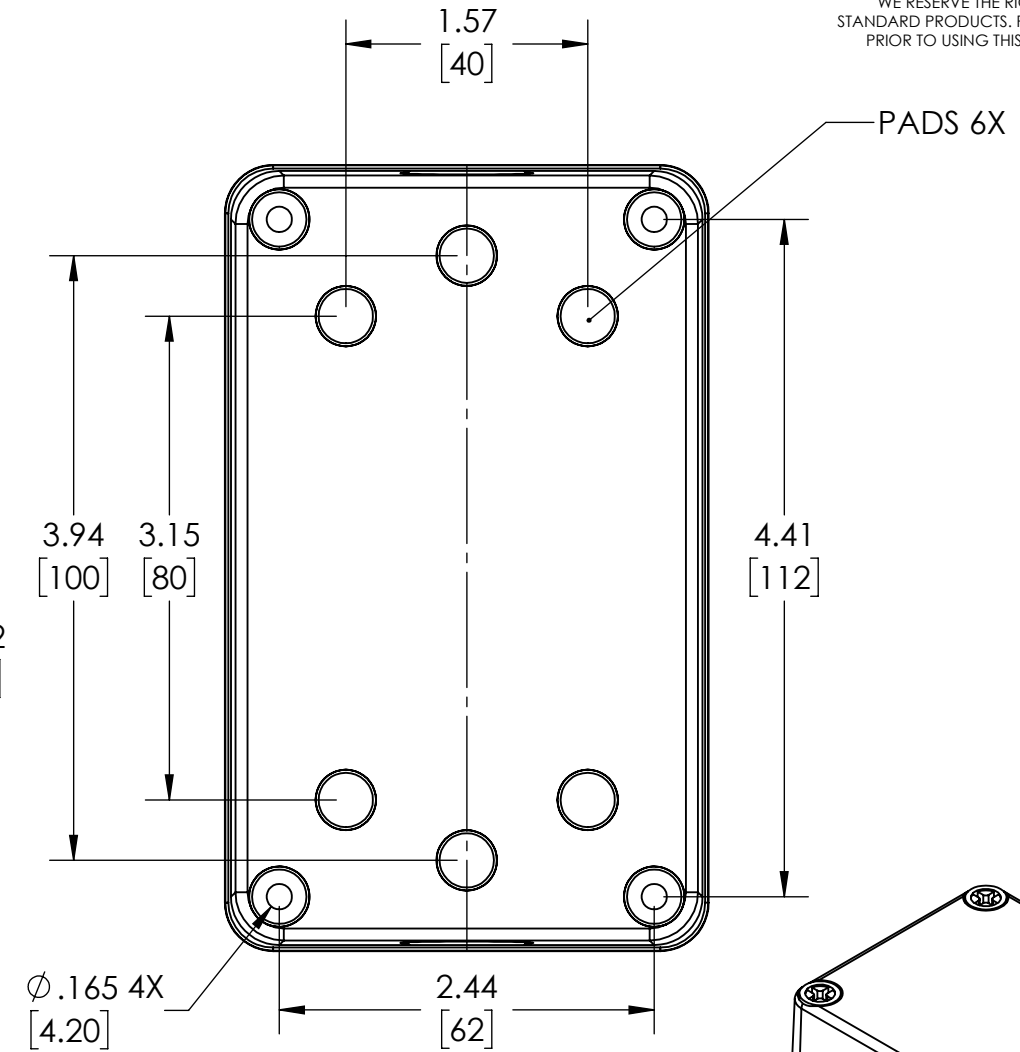
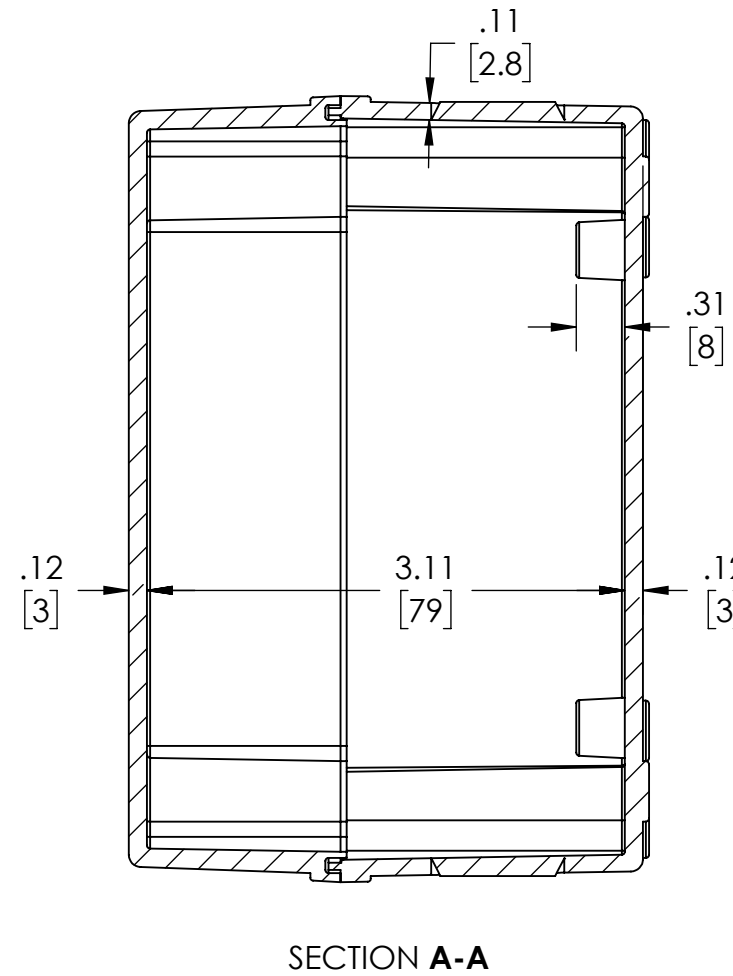
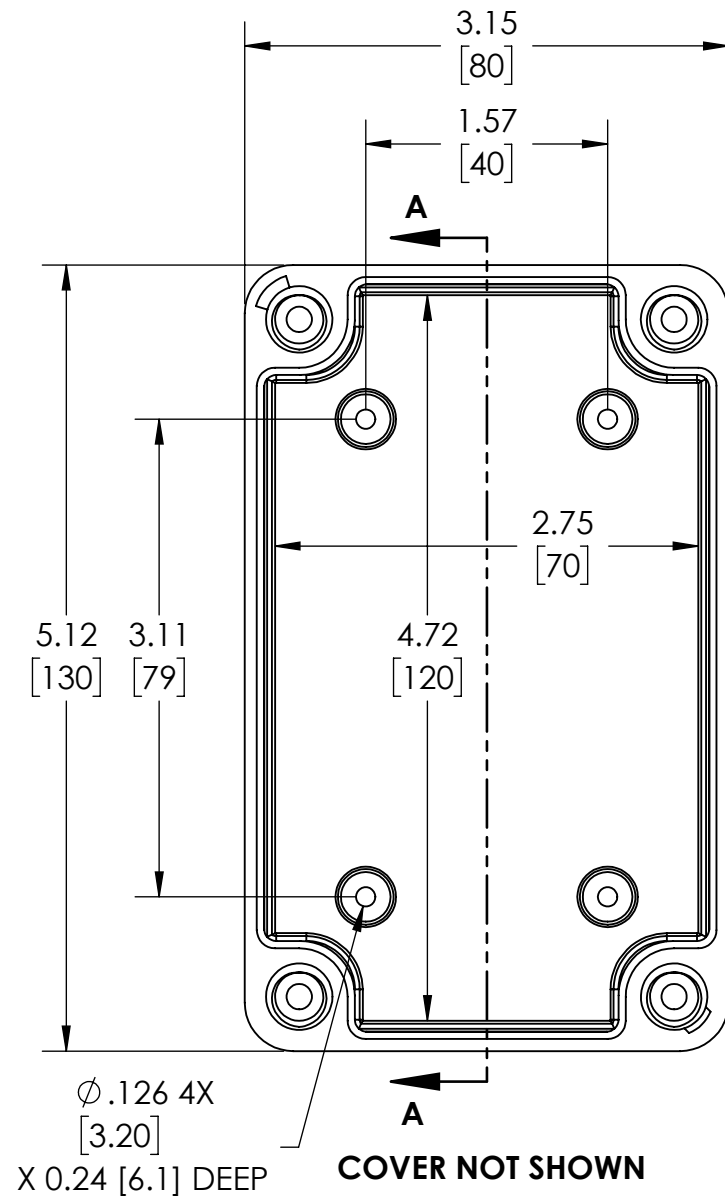
PART No.

PTK-18423 & PTK-18423-C

REVISION DATE

10-11-17

**DRAWING FOR REFERENCE**  
WE RESERVE THE RIGHT TO MAKE CHANGES TO OUR STANDARD PRODUCTS. PLEASE CONSULT WITH BUD INDUSTRIES PRIOR TO USING THIS DRAWING FOR DESIGN PURPOSE.



- NOTES:
- 1- MATERIAL: BODY - GRAY POLYCARBONATE RESIN 10% GLASS FIBER FILLED  
COVER - GRAY OR CLEAR (-C SUFFIX) POLYCARBONATE
  - 2- UL508 / NEMA TYPE 4X & TYPE 6 WITH IP-67 TUV RATING & UL-94 5VA
  - 3- CONTINUOUS Poured FOAM GASKET IN COVER
  - 4- COVER ATTACHES WITH NON-METALLIC CAPTIVE SCREWS
  - 5- INTERNAL BOSSES WILL ACCEPT M4x0.7 x 6mm LG. THREAD FORMING SCREWS FOR ATTACHING AN INTERNAL PANEL OR PCB (NOT SUPPLIED)
  - 6 - DIMENSIONS ARE INCH [MM]

- OPTIONAL ACCESSORIES:
- INTERNAL STEEL PANEL #
  - MOUNTING BRACKET KIT (STAINLESS STEEL) - #NBX-10922
  - MOUNTING BRACKET KIT (PLASTIC) #PIX-4117

