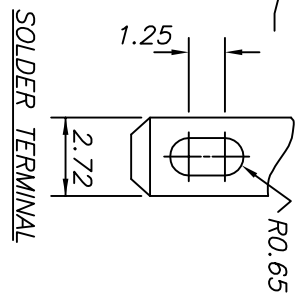


BEZEL FINISH: BLACK P.T.F.E.



- ELECTRICAL**
- DIELECTRIC STRENGTH 1000VAC
 - INSULATION RESISTANCE 1G Ohms
 - CONTACT RESISTANCE (INITIAL) 50m Ohms
 - CURRENT RATING:-
 - @ 32VAC RESISTIVE 400mA
 - @ 50VDC RESISTIVE 100mA
 - @ 125VAC RESISTIVE 125mA
 - LIFE (MINIMUM) 500,000 CYCLES
 - SWITCHING POWER (MAXIMUM) 16VA AC
- MECHANICAL**
- TRAVEL (NOMINAL) 2.5mm
 - LIFE (MINIMUM) 1,000,000 CYCLES
 - OPERATING FORCE (NOMINAL) 3N
 - ENVIRONMENTAL & PHYSICAL
 - INGRESS PROTECTION IP67
 - SHOCK 100G
 - OPERATING TEMP RANGE -55°C TO +125°C
 - CONTACTS GOLD PLATED - PALADIUM NICKEL

| | | |
|------------------|-----------------|------------------------------|
| CAD SYSTEM No: 1 | DIRECTORY NAME: | CAD DRAWING No: 5990907A.DWG |
|------------------|-----------------|------------------------------|

| | | | | | |
|---------------------------------|-------------|----------|----------------------|------|-------|
| ISS. CHANGE NOTE No. A ECN86104 | DATE 4.6.96 | DRAWN BV | ISS. CHANGE NOTE No. | DATE | DRAWN |
|---------------------------------|-------------|----------|----------------------|------|-------|

ITTW Switches
 Leon Switches, Chicago Switch, RC/JUD Switches
 © 1996

The Copyright in this drawing and in the article shown belongs to ITW Switches and no reproduction in whole or in part of the drawing or the articles shown may be made without prior written permission.

| | | | | | | | |
|----------|----------|----------|-----------|-------------|------------------------------|-----------------------|--------|
| DRAWN BV | CHKD. RE | APPR. AB | SCALE 5:1 | DATE 4.6.96 | TITLE RAISED/ROUND BEZEL P/B | DRAWING No. 59-900090 | ISS. A |
|----------|----------|----------|-----------|-------------|------------------------------|-----------------------|--------|

MATERIAL & SPEC. SEE GA.

A3