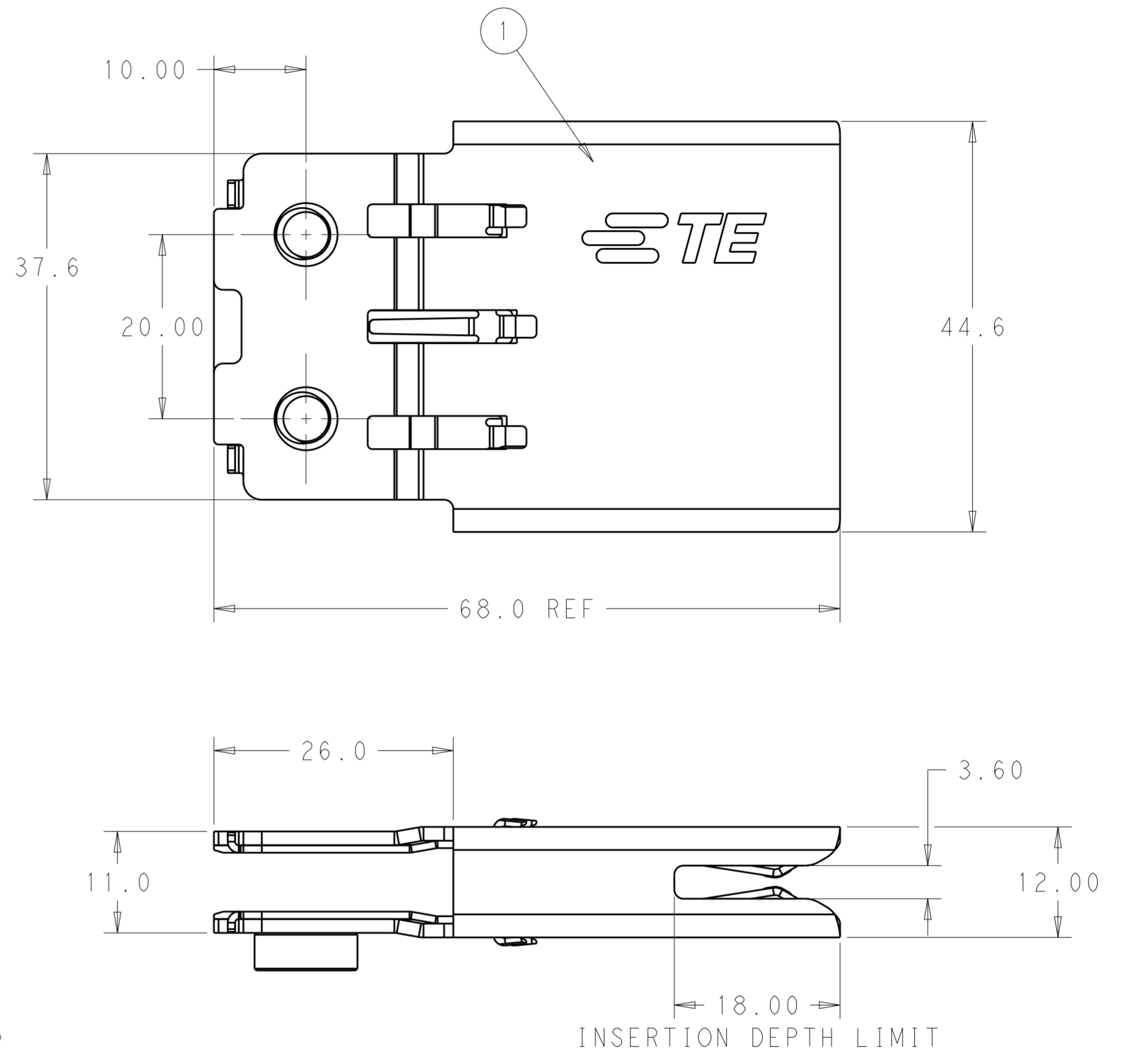
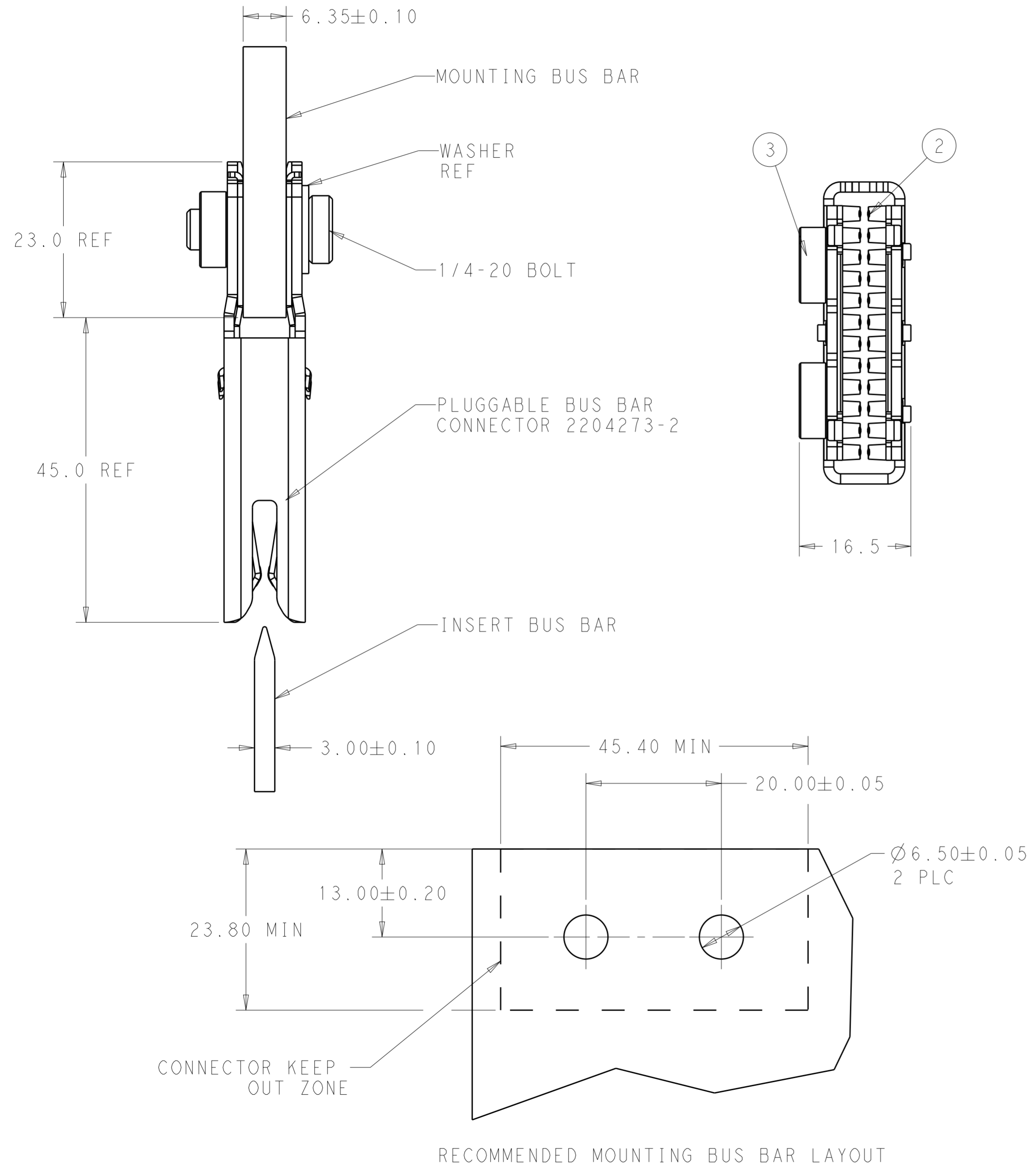


THIS DRAWING IS UNPUBLISHED. RELEASED FOR PUBLICATION 20
 © COPYRIGHT 20 BY - ALL RIGHTS RESERVED.

REVISIONS					
P	LTR	DESCRIPTION	DATE	DWN	APVD
	A	RELEASE	05JUL2016	AL	SZ



PART NUMBER	ITEMS	DESCRIPTION	MATERIAL	Q'TY	FINISH
2204273-2	3	CLINCHING NUT 1/4-20 THREAD	STAINLESS STEEL	2	-
	2	CONTACT	COPPER ALLOY	2	SILVER
	1	OUTER HOUSING	STAINLESS STEEL	1	-

THIS DRAWING IS A CONTROLLED DOCUMENT.		DWN ANDY LI 05JUL2016	TE Connectivity	
DIMENSIONS: mm		CHK SUNY ZHAO 05JUL2016		
TOLERANCES UNLESS OTHERWISE SPECIFIED:		APVD SUNY ZHAO 05JUL2016	NAME PLUGGABLE BUS BAR CONNECTOR IN-LINE MOUNTING	
0 PLC ±0.2		PRODUCT SPEC 108-128012	SIZE A2	
1 PLC ±0.2		APPLICATION SPEC 114-2111	CAGE CODE -	
2 PLC ±0.15		WEIGHT 97.28	DRAWING NO C-2204273-2	
3 PLC ±0.05		CUSTOMER DRAWING	RESTRICTED TO -	
4 PLC ±0.0001		SCALE 1:1	SHEET 1 OF 1	
ANGLES ±1			REV A	
FINISH				