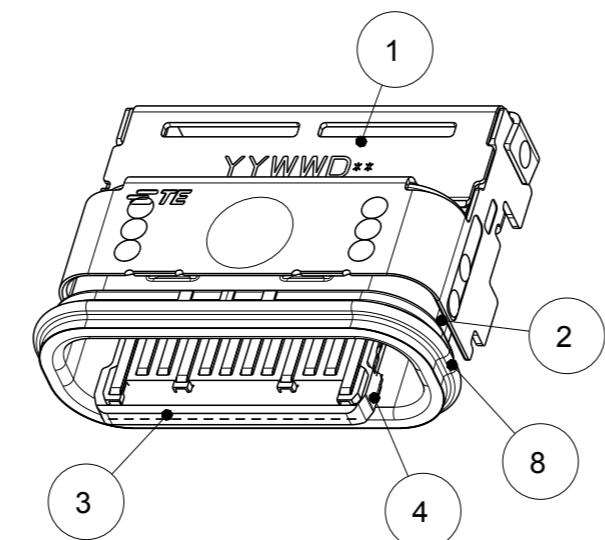
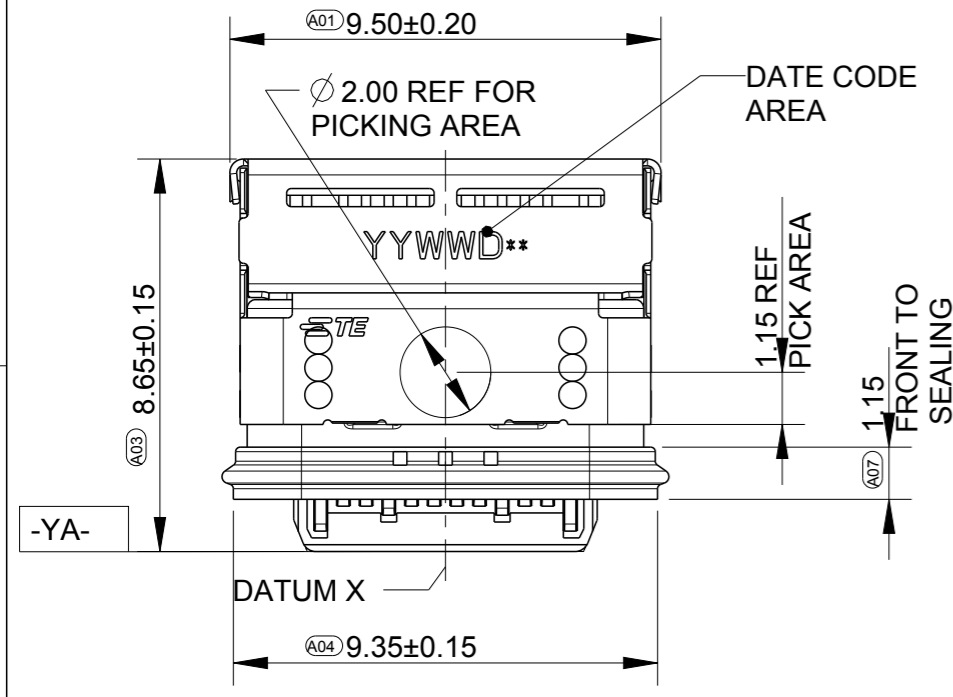


THIS DRAWING IS UNPUBLISHED. RELEASED FOR PUBLICATION 20
 © COPYRIGHT 20 BY - ALL RIGHTS RESERVED.

SHOWN AS:2305018-2

REVISIONS				
P	LTR	DESCRIPTION	DATE	APVD
3		UPDATE DRAWING	04JAN2017	S.ZH H.W
4		UPDATE WELDING POSITION	04MAR2017	S.ZH H.W
5		BRACKET SHELL ADD HOLE AND NEW PN	19JUL2017	S.ZH H.W
6		MAIN SHELL IMPROVE FLANGE,UPDATE PAD ON PCB	28DEC2017	S.ZH H.W

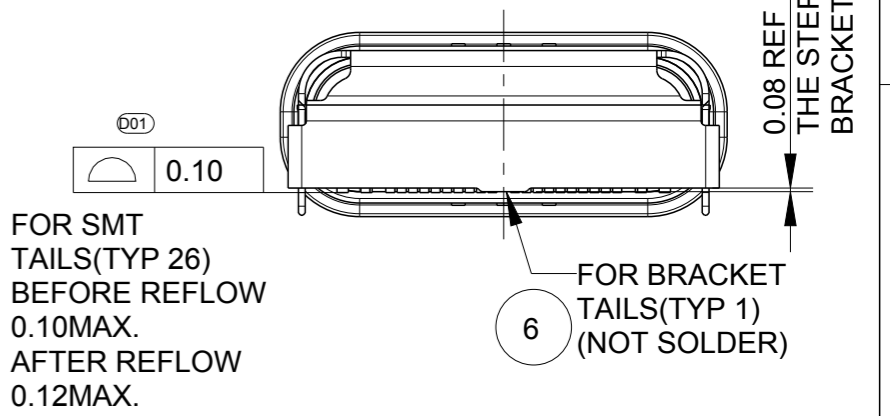
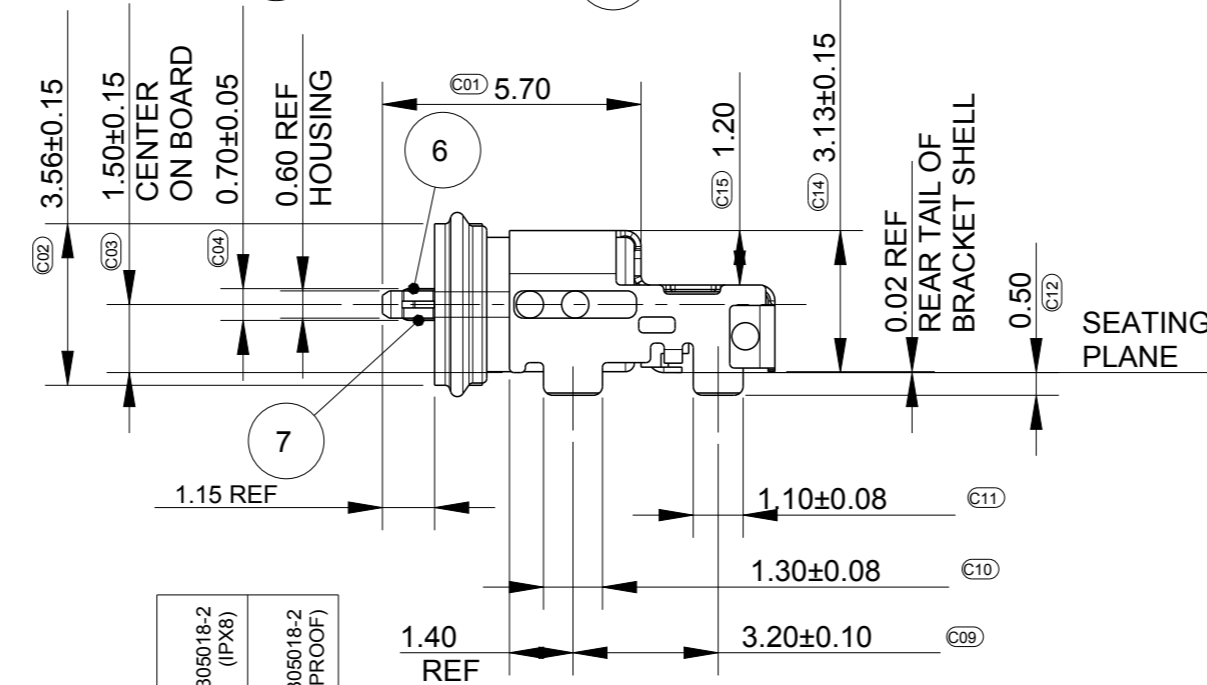
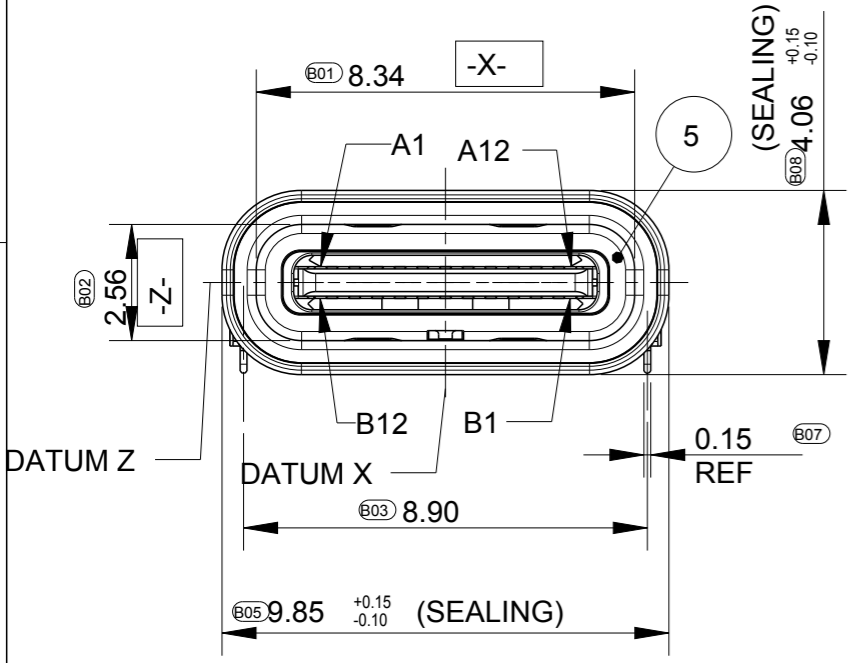


NOTES:
 1.MATERIAL : SEE TABLE "A".
 2.FINISH : SEE TABLE "A".

- △ 3 . PICKING AREA
- △ 4 . DATE CODE AREA

5. SC = SHARP CORNER

△ 4 YYWWD**
 DAY SHIFT OR NIGHT SHIFT
 ASSY LINE NO. A,B,C,***



FOR SMT TAILS(TYP 26) BEFORE REFLOW 0.10MAX. AFTER REFLOW 0.12MAX.

TABLE "A"

ITEM	DESCRIPTION	MATERIAL	REMARK	Q'TY	Q'TY
9	POTTING	SILICONE		1	1
8	SEALING	SILICONE		1	-
7	LOWER CONTACT	COPPER ALLOY OR EQUIVALENT	FUNCTION AREA: Au 0.75um PLATED. SOLDER AREA:GOLD FLASH PLATED. OVERALL:NI PLATED	1	1
6	UPPER CONTACT	COPPER ALLOY OR EQUIVALENT		1	1
5	INNER SHELL	STAINLESS STEEL OR EQUIVALENT	CLEANING	1	1
4	MID-PLATE	STAINLESS STEEL	NI PLATED ON SOLDER TAIL	1	1
3	MAIN IM	HIGH TEMPERATURE THERMO PLASTIC	BLACK, UL94V-0	1	1
2	MAIN SHELL	STAINLESS STEEL OR EQUIVALENT	CLEANING	1	1
1	BRACKET SHELL	STAINLESS STEEL	NI PLATED	1	1

2305018-2 (IPX8)	1-2305018-2 (NONE WATER PROOF)
------------------	--------------------------------

THIS DRAWING IS A CONTROLLED DOCUMENT.	
DIMENSIONS: mm	TOLERANCES UNLESS OTHERWISE SPECIFIED:
0 PLC ±0.5	1 PLC ±0.25
2 PLC ±0.25	3 PLC ±0.25
4 PLC ±0.25	ANGLES ±3°
MATERIAL	FINISH

DWN	12-DEC-2016
CHK	SOLDIER ZHANG
CHK	12-DEC-2016
APVD	HAPYE WU
APVD	12-DEC-2016
APVD	HAPYE WU
PRODUCT SPEC	108-115129-2
APPLICATION SPEC	501-115141-2
WEIGHT	-

		TE Connectivity	
		NAME TYPE C RECEPTACLE ON BOARD	
SIZE	CAGE CODE	DRAWING NO	RESTRICTED TO
A3	-	C-2305018	-
CUSTOMER DRAWING		SCALE 1:1	SHEET 1 OF 5 REV 6

THIS DRAWING IS UNPUBLISHED.

RELEASED FOR PUBLICATION

20

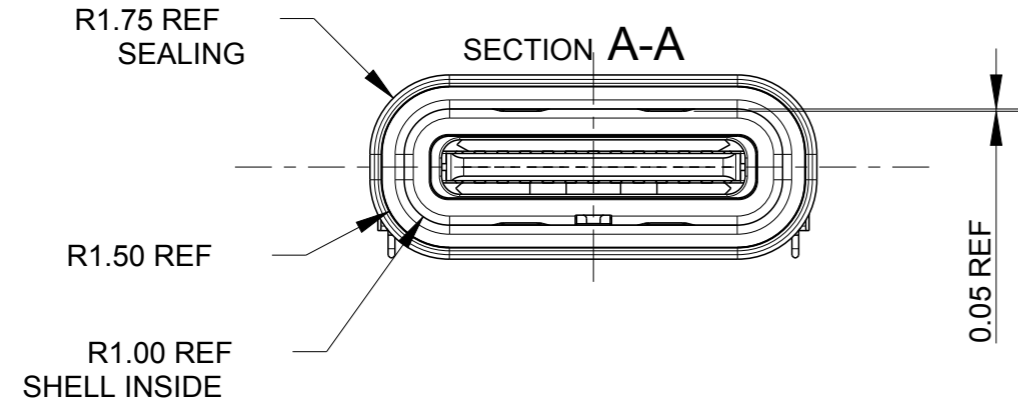
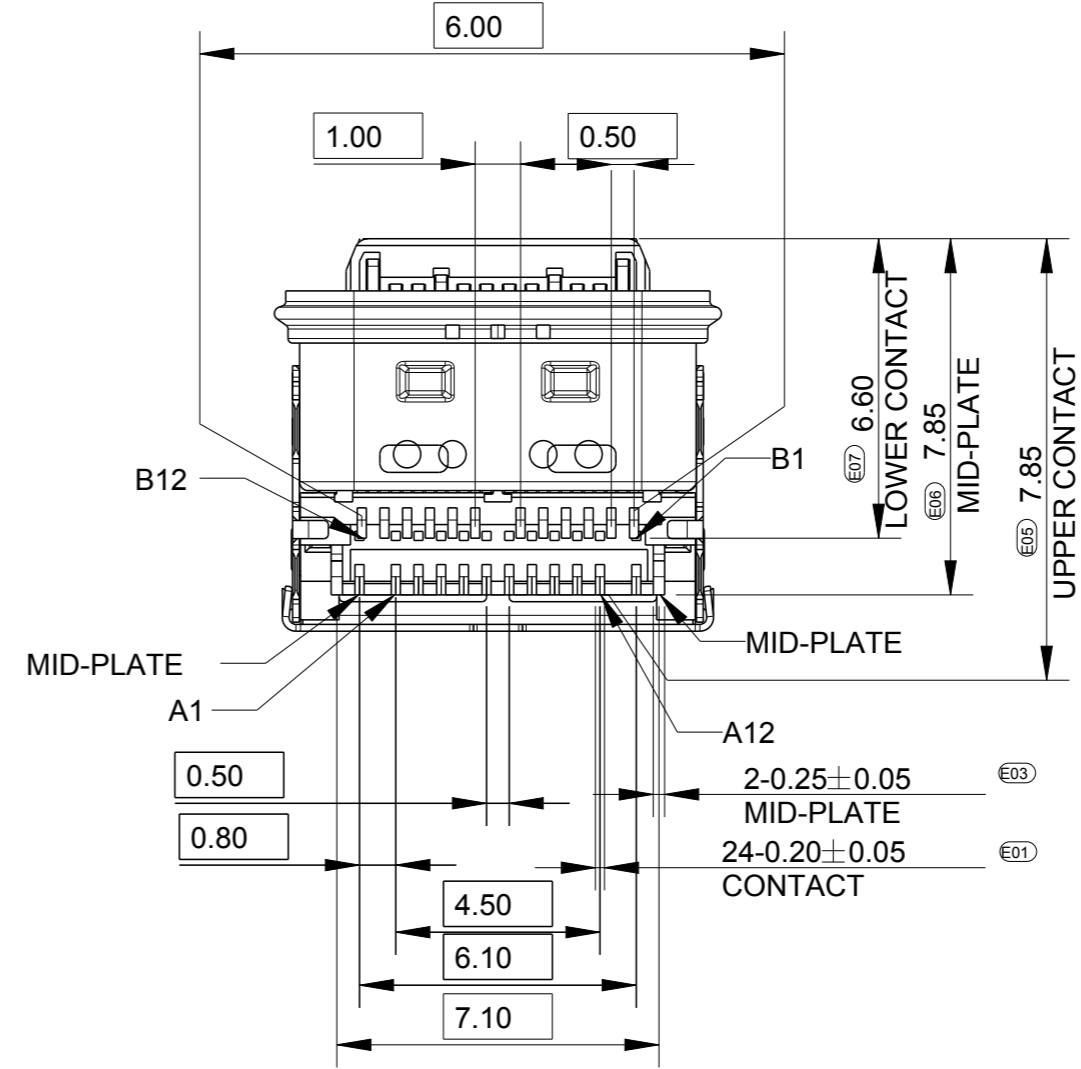
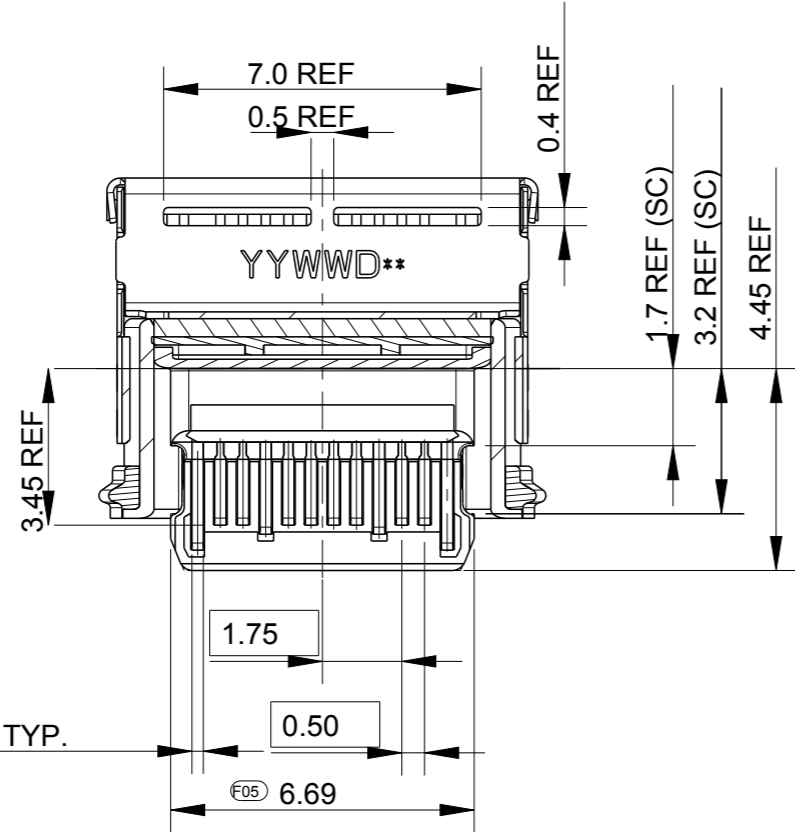
© COPYRIGHT 20 BY -

ALL RIGHTS RESERVED.

REVISIONS

P	LTR	DESCRIPTION	DATE	DWN	APVD
-	-	SEE SHEET 1	-	-	-

SHOWN AS:2305018-2



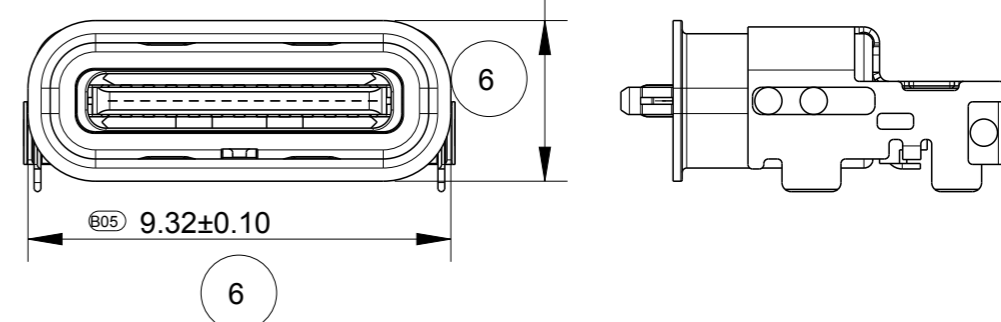
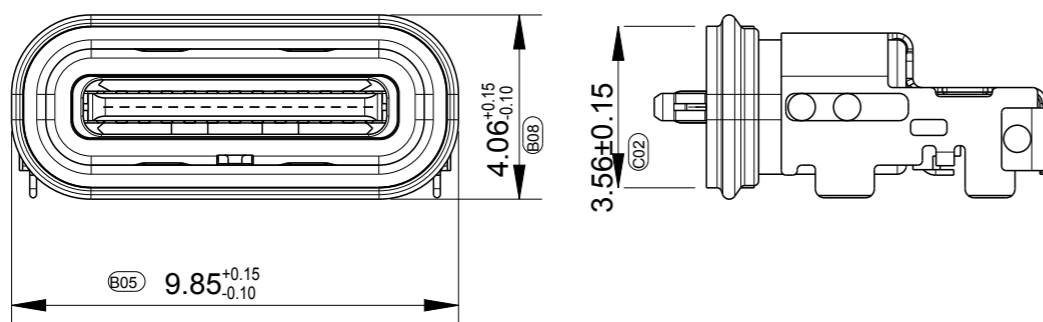
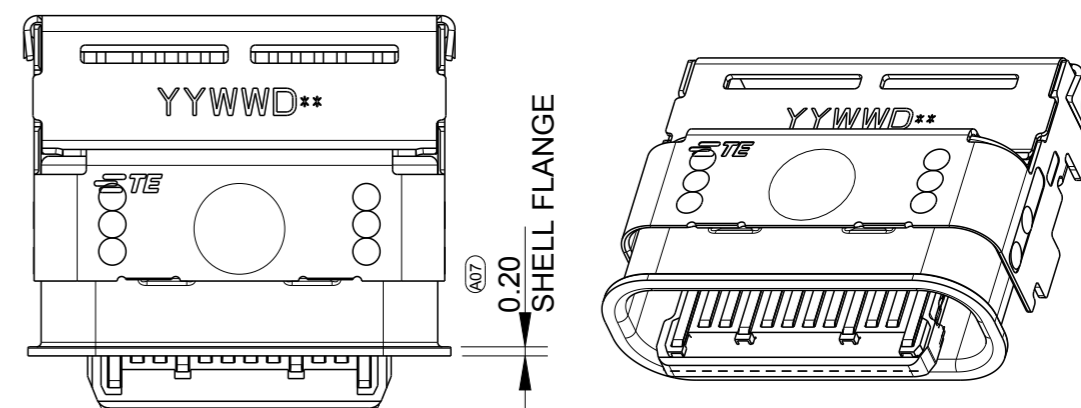
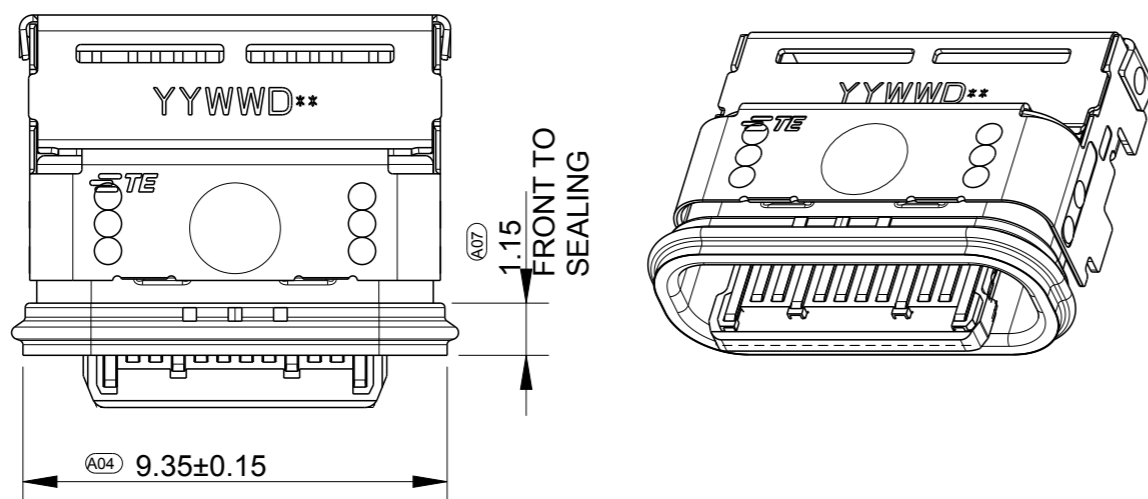
THIS DRAWING IS A CONTROLLED DOCUMENT.		DWN 12-DEC-2016 SOLDIER ZHANG														
DIMENSIONS: mm		CHK 12-DEC-2016 HAPYE WU														
TOLERANCES UNLESS OTHERWISE SPECIFIED:		APVD 12-DEC-2016 HAPYE WU	NAME TYPE C RECEPTACLE ON BOARD													
<table border="0"> <tr><td>0 PLC</td><td>±0.5</td></tr> <tr><td>1 PLC</td><td>±0.25</td></tr> <tr><td>2 PLC</td><td>±0.25</td></tr> <tr><td>3 PLC</td><td>±0.25</td></tr> <tr><td>4 PLC</td><td>±0.25</td></tr> <tr><td>ANGLES</td><td>±3°</td></tr> </table>		0 PLC	±0.5	1 PLC	±0.25	2 PLC	±0.25	3 PLC	±0.25	4 PLC	±0.25	ANGLES	±3°	PRODUCT SPEC 108-115129-2	SIZE A3	
0 PLC	±0.5															
1 PLC	±0.25															
2 PLC	±0.25															
3 PLC	±0.25															
4 PLC	±0.25															
ANGLES	±3°															
MATERIAL		APPLICATION SPEC 501-115141-2	CAGE CODE -	DRAWING NO C-2305018												
FINISH		WEIGHT -	RESTRICTED TO -													
-		CUSTOMER DRAWING	SCALE 1:1	SHEET 2 OF 5 REV 6												

REVISIONS

P	LTR	DESCRIPTION	DATE	DWN	APVD
-	-	SEE SHEET 1	-	-	-

SHOWN AS: 2305018-2

SHOWN AS:1-2305018-2



THIS DRAWING IS A CONTROLLED DOCUMENT.

DWN 12-DEC-2016

SOLDIER ZHANG

CHK 12-DEC-2016

HAPYE WU

APVD 12-DEC-2016

HAPYE WU

PRODUCT SPEC 108-115129-2

APPLICATION SPEC 501-115141-2

WEIGHT -

CUSTOMER DRAWING



TE Connectivity

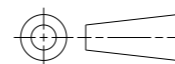
NAME TYPE C RECEPTACLE ON BOARD

SIZE A3 CAGE CODE - DRAWING NO C-2305018 RESTRICTED TO -

SCALE 1:1 SHEET 3 OF 5 REV 6

DIMENSIONS:

mm



TOLERANCES UNLESS OTHERWISE SPECIFIED:

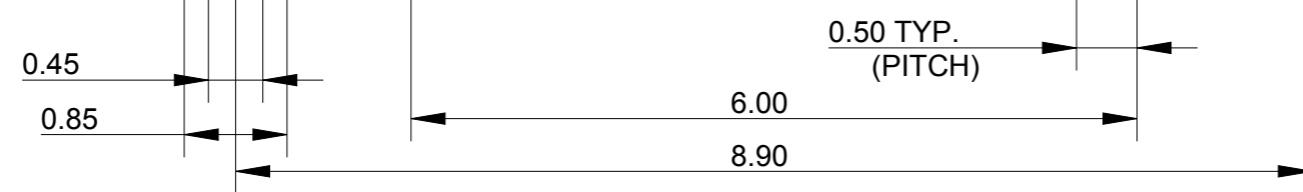
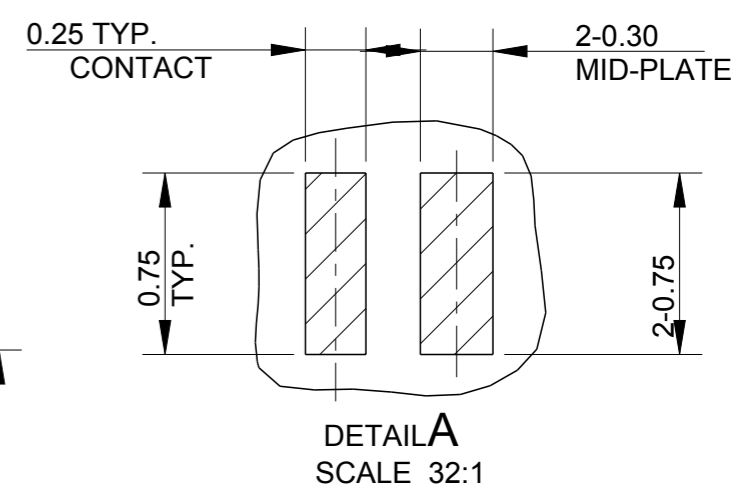
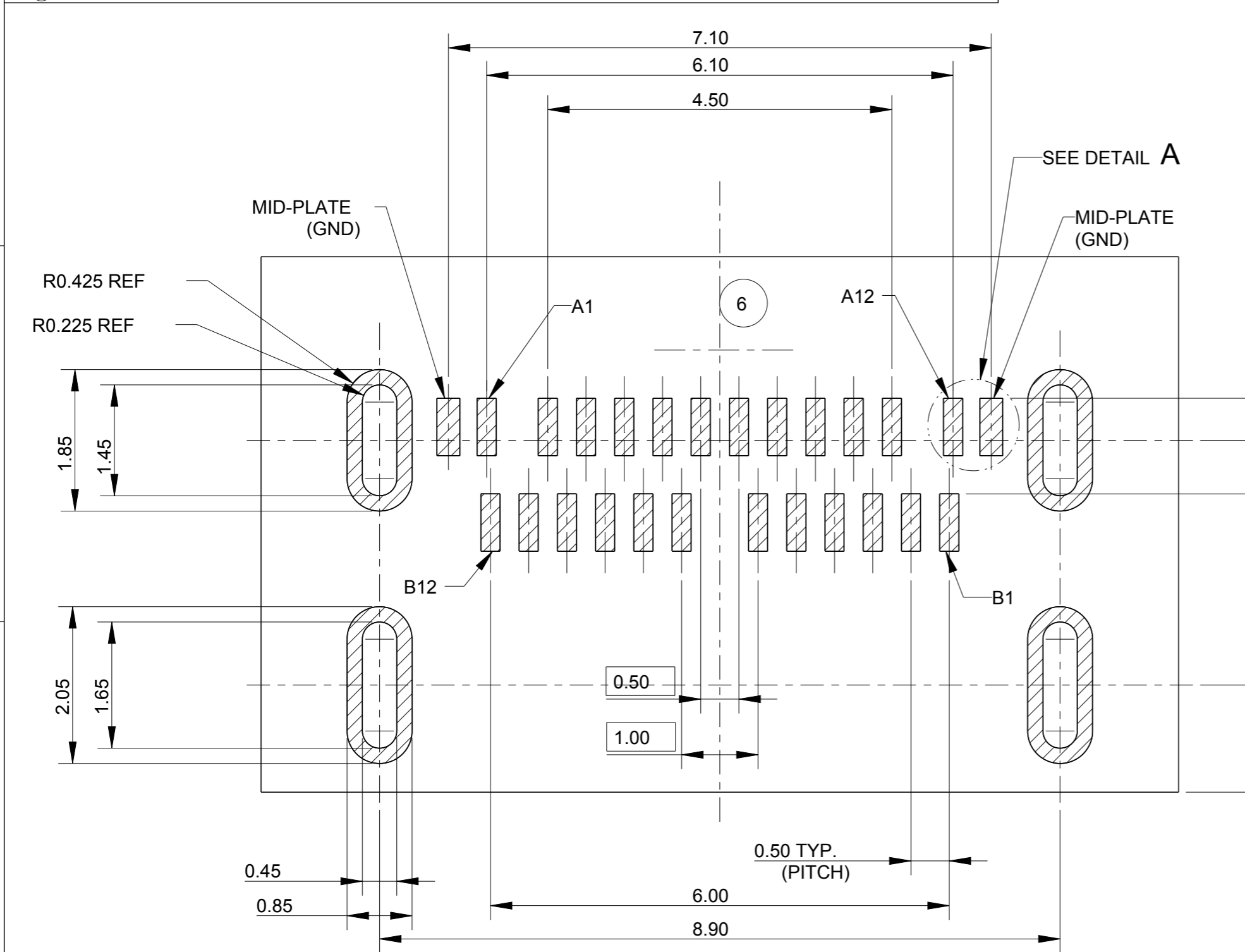
0 PLC	±0.5
1 PLC	±0.25
2 PLC	±0.25
3 PLC	±0.25
4 PLC	±0.25
ANGLES	±3°

MATERIAL -

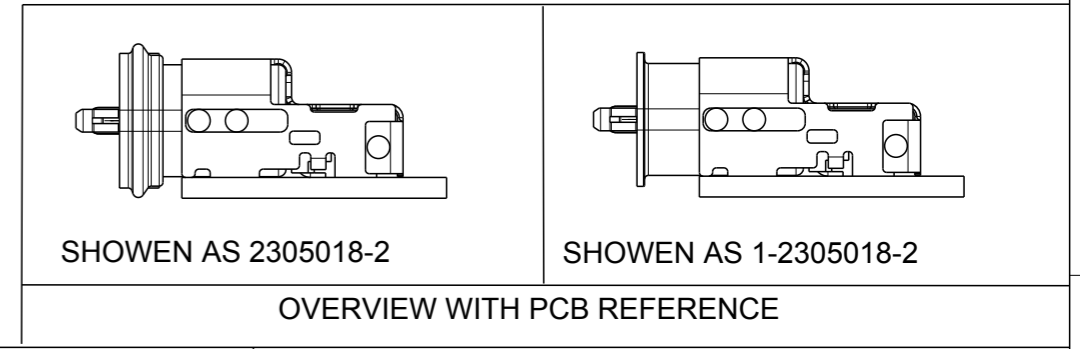
FINISH -

THIS DRAWING IS UNPUBLISHED. RELEASED FOR PUBLICATION 20
 © COPYRIGHT 20 BY - ALL RIGHTS RESERVED.

REVISIONS					
P	LTR	DESCRIPTION	DATE	DWN	APVD
-	-	SEE SHEET 1	-	-	-



SCALE 16:1
 PCB LAYOUT REFERENCE THICKNESS 0.55 mm
 GENERAL TOLERANCE: ± 0.03



RECEPTACLE PIN LABEL:

A1	A2	A3	A4	A5	A6	A7	A8	A9	A10	A11	A12
GND	TX1+	TX1-	VBUS	CC1	D+	D-	SBU1	VBUS	RX2-	RX2+	GND
GND	RX1+	RX1-	VBUS	SBU2	D-	D+	CC2	VBUS	TX2-	TX2+	GND
B12	B11	B10	B9	B8	B7	B6	B5	B4	B3	B2	B1

THIS DRAWING IS A CONTROLLED DOCUMENT.	
DIMENSIONS: mm	TOLERANCES UNLESS OTHERWISE SPECIFIED:
	0 PLC ±0.5
	1 PLC ±0.25
	2 PLC ±0.25
	3 PLC ±0.25
	4 PLC ±0.25
	ANGLES ±3°
MATERIAL	FINISH
-	-

DWN	12-DEC-2016
SOLDIER ZHANG	
CHK	12-DEC-2016
HAPYE WU	
APVD	12-DEC-2016
HAPYE WU	
PRODUCT SPEC	108-115129-2
APPLICATION SPEC	501-115141-2
WEIGHT	-
CUSTOMER DRAWING	

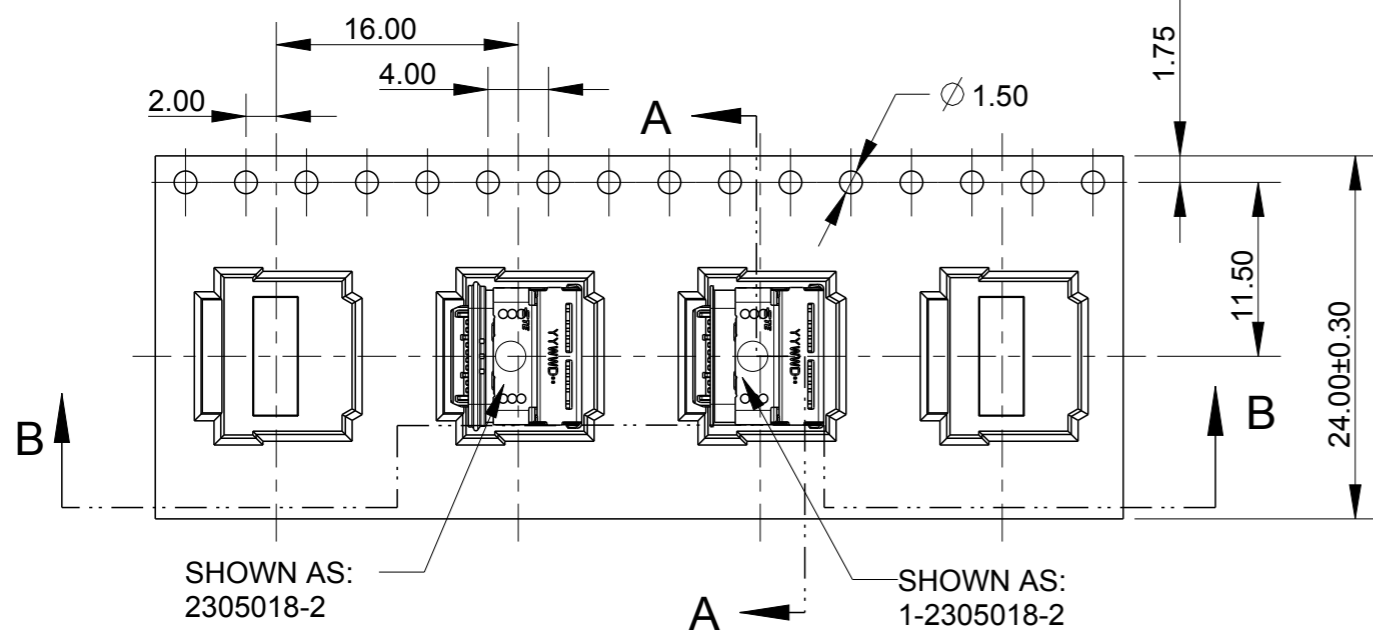
		TE Connectivity	
		NAME	
TYPE C RECEPTACLE ON BOARD			
-			
SIZE	CAGE CODE	DRAWING NO	RESTRICTED TO
A3	-	C-2305018	-
SCALE		SHEET	REV
1:1		4 OF 5	6

REVISIONS

P	LTR	DESCRIPTION	DATE	DWN	APVD
-	-	SEE SHEET 1	-	-	-

SHOWN AS: 2305018-2, 1-2305018-2

CUSTOMER FEED DIRECTION →



NOTE:

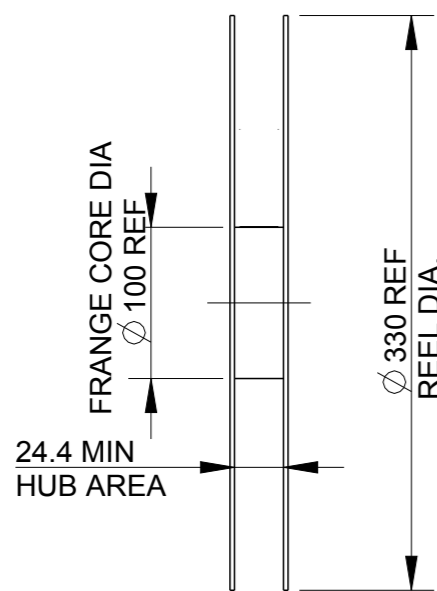
1. PACKAGE SPECIFIED PER EIA-481 UNLESS OTHERWISE.
2. EMBOSS: ANTISTATIC MATERIAL, COLOR: TRANSPARENT
3. COVER: ANTISTATIC MATERIAL, COLOR: TRANSPARENT AND COVER TYPE IS THERMO-COMPRESSON SEALING.
4. USER DIRECTION OF UNREELING.

SECTION A-A

SHOWN AS:
2305018-2

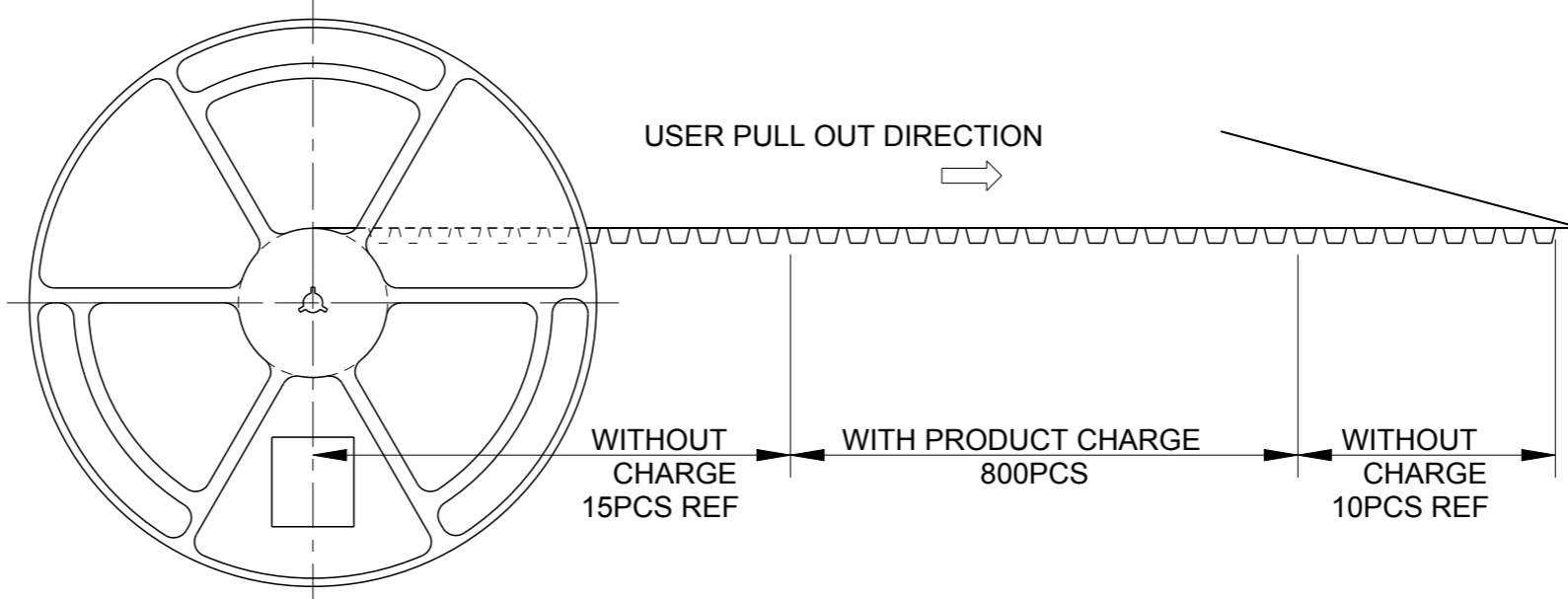
SHOWN AS:
1-2305018-2

SECTION B-B



30.4 REF
REEL WIDTH

USER PULL OUT DIRECTION →



THIS DRAWING IS A CONTROLLED DOCUMENT.		DWN SOLDIER ZHANG 12-DEC-2016		
DIMENSIONS: mm		CHK HAPYE WU 12-DEC-2016		
TOLERANCES UNLESS OTHERWISE SPECIFIED:		APVD HAPYE WU 12-DEC-2016	NAME TYPE C RECEPTACLE ON BOARD	
0 PLC ±0.5		PRODUCT SPEC 108-115129-2	SIZE A3	
1 PLC ±0.25		APPLICATION SPEC 501-115141-2	CAGE CODE -	DRAWING NO C-2305018
2 PLC ±0.25		WEIGHT -	RESTRICTED TO -	
3 PLC ±0.25		CUSTOMER DRAWING	SCALE 1:1	SHEET 5 OF 5
4 PLC ±0.25				REV 6
ANGLES ±3°				
FINISH -				
MATERIAL -				