

This document is the property of Amphenol Corporation and is delivered on the express condition that it is not to be disclosed, reproduced or used, in whole or in part, for manufacture or sale by anyone other than Amphenol Corporation without its prior consent, and that no right is granted to disclose or to use any information in this document.

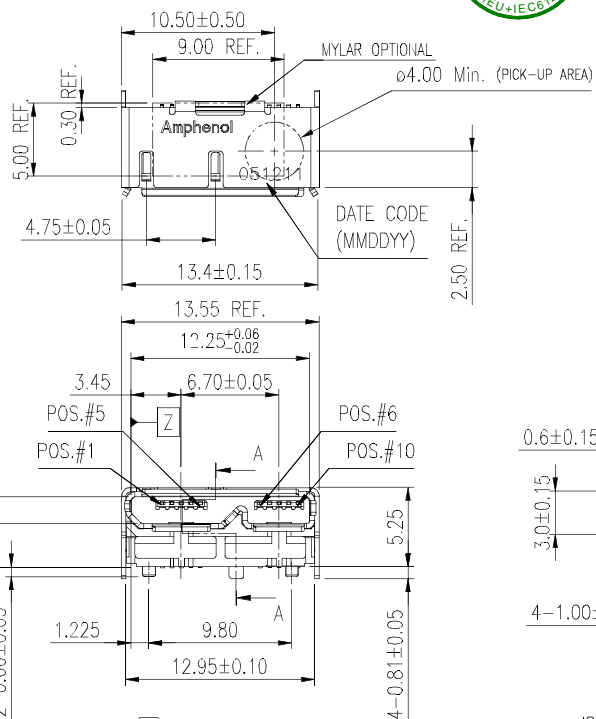
The marking on this product doesn't contain environmental hazardous material and must follow one or more specifications per Material Specification SS-00259 for Sony GP compliant or per directive 2011/65/EC for RoHS compliant or per IEC 61249-2-21 for Halogen Free compliant.



ORIGINAL



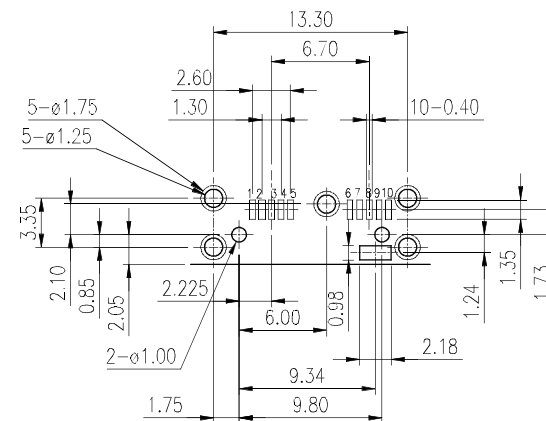
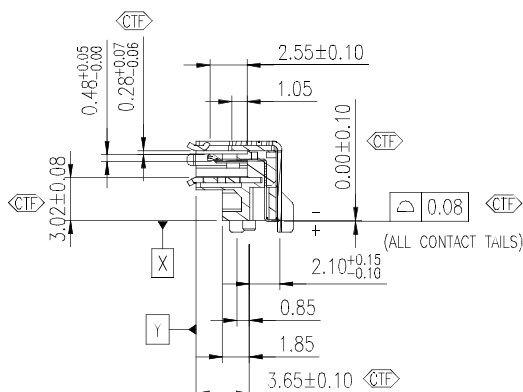
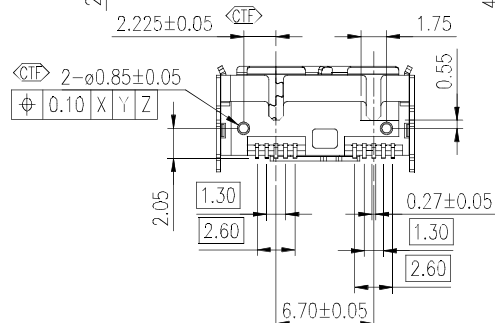
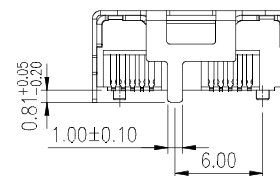
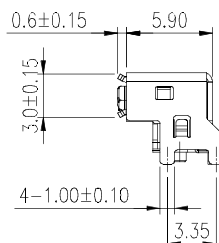
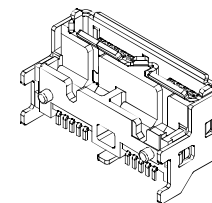
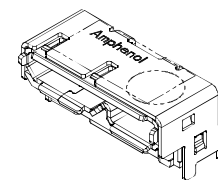
REVISIONS				
SYM	ECN No.	DESCRIPTION	DATE	BY
A	NE-14122	RELEASE TO PRODUCTION	06/20/2014	Sandra Sang
B	NE-14150	CHANGED REEL	08/13/2014	Sandra Sang



PART NUMBER:
GSB4 43T 3 3 X HR

CONTACT FINISH
3: 30µ" GOLD

VARIATION CODE
BLANK: STANDARD T&R PACKING
A: W/ MYLAR, T&R PACKING



NOTES:

- HOUSING: HIGH TEMP. THERMOPLASTIC, UL 94V-0, COLOR- BLACK
- CONTACT: COPPER ALLOY, 0.15mm THICKNESS, 30µ" MIN. GOLD PLATED ON CONTACT AREA, 150µ" MATTE TIN PLATED ON SOLDERING TAIL, 80µ" MIN. NICKEL UNDER-PLATED OVERALL
- INNER SHELL: STAINLESS, 0.35mm THICKNESS
- OUTER SHELL: STAINLESS, 0.30mm THICKNESS, 50µ" MIN. NICKEL PLATED ON THE SOLDERING TAILS
- CTF ARE THE CRITICAL DIMENSIONS MUST BE INSPECTED BY SPC.
- PACKING: PLEASE REFER TO PKS-GSBX43PT01HR
- THIS PRODUCT DOESN'T CONTAIN ENVIRONMENTAL HAZARDOUS MATERIALS PER DIRECTIVE 2002/95/EC FOR RoHS AND PER IEC 61249-2-21 FOR HALOGEN FREE COMPLIANT.

TOLERANCE	APPROVALS	DATE	TITLE		PART No.		DWG No.		REV.
X.X ±0.30	DRAWN Sandra Sang	8/13/2014	USB 3.1 CONNECTOR MICRO_B, RECEPTACLE R/A SMT, HIGHT RISE		Amphenol® Amphenol Corporation Amphenol Taiwan Corporation		GSB4 43T 33X HR		B
X.X.X ±0.20	CHECKED Chenny Yeh	8/13/2014							
X.XXX ±0.10	APPROVED Hank Hsu	8/13/2014							
ANGULAR ±1°	DWG TYPE CUST DWG	PROJECT CODE T512	UNIT mm	SCALE NA	SIZE A3	SHEET 1 OF 1	GSB443T33HR		
UNLESS OTHERWISE SPECIFIED									

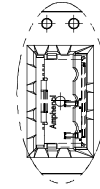
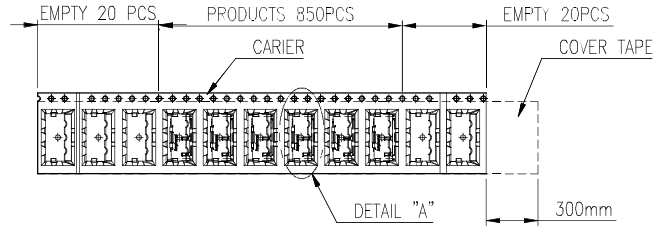
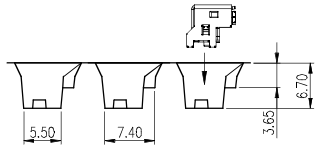
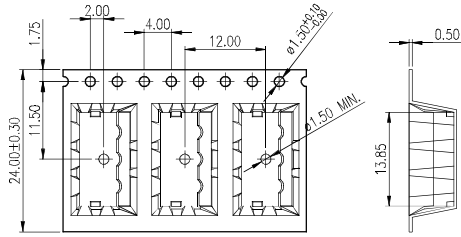
This document is the property of Amphenol Corporation and is delivered on the express condition that it is not to be disclosed, reproduced or used, in whole or in part, for manufacture or sale by anyone other than Amphenol Corporation without its prior consent, and that no right is granted to disclose or to use any information in this document.
The marking on this product doesn't contain environmental hazardous material and must follow one or more specifications per Material Specification 5S-00259 for Sony GP compliant or per directive 2011/65/EC for RoHS compliant or per IEC 61249-2-21 for Halogen Free compliant.



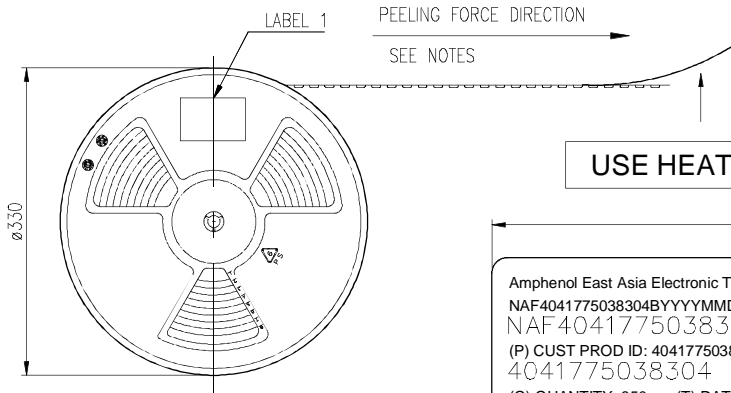
ORIGINAL



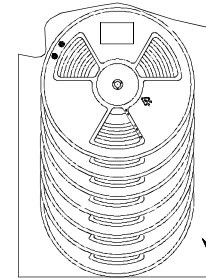
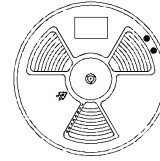
REVISIONS				
SYM	ECN No.	DESCRIPTION	DATE	By
A	NE-14122	RELEASE TO PRODUCTION	06/20/2014	Sondra Sang
B	NE-14150	CHANGED REEL	08/13/2014	Sondra Sang



DETAIL "A"



USE HEAT SEAL



(TOTAL 12 REELS)

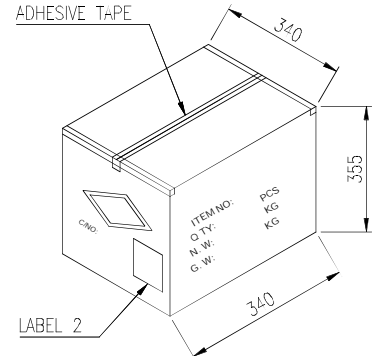
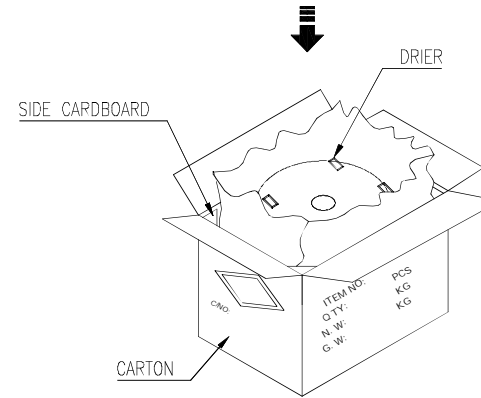
PE BAG

Amphenol East Asia Electronic Technology(Shen Zhen)Co., Ltd.
NAF4041775038304BYYYYMMDD
NAF4041775038304B20120101
(P) CUST PROD ID: 4041775038304
4041775038304
(Q) QUANTITY: 850 (T) DATE CODE: YYYYYMDD
850 *YYYYMMDD*
(1T) LOT CODE: 102711
123456
(1P) Amphenol P/N: GSB343T33HR
GSB343T33HR

LABEL 1 = Q'TY : Q850
LABEL 2 = Q'TY : Q10200

RoHS & HF
Compliant

LABEL1 & LABEL2



PART NO.	PCS./REEL-T1	PCS/CARTON-T2	N.W.	G.W.
GSB343TXXHR	850 PCS.	850X12=10200 PCS.	*	*
GSB443TXXHR				

NOTES: (**) FOR REFERENCE

- MATERIAL: CONDUCTIVE POLYSTYRENE ALLOY, COLOR- BLACK
- THICKNESS: 0.50±0.05 mm
- TAPE HAVE TO USE HEAT SEAL TYPE
- ALL DIMENSIONS MEET EIA-481-C REQUIREMENTS
- COMPONENT LOAD PER 13" REEL: 850 PCS.
- LABEL: 3 OF 9 CODE OR 128 CODE
- THIS PRODUCT DOESN'T CONTAIN ENVIRONMENTAL HAZARDOUS MATERIALS PER DIRECTIVE 2011/65/EC FOR RoHS COMPLIANT.

TOLERANCE	APPROVALS	DATE
X. ±0.20	DESIGNED Sandra Sang	8/13/2014
X.X ±0.15	CHECKED Chenny Yeh	8/13/2014
X.XX ±0.10		
X.XXX ±0.05		
ANGULAR ±1'	APPROVED Hank Hsu	8/13/2014
UNLESS OTHERWISE SPECIFIED	DWG TYPE CUST DWG	PROJECT CODE T512

TITLE		UNIT	SIZE
USB3.0/ 3.1 CONNECTORS MICRO_B, HI-RISE RECEPT, R/A SMT TYPE		mm	A3
SCALE	SHEET	REV.	
NA	2 OF 2	B	

Amphenol®	
Amphenol Corporation Amphenol Taiwan Corporation	
PART No.	PKS-GSBX43PT01HR
DWG No.	PKS-GSB343PT01HR