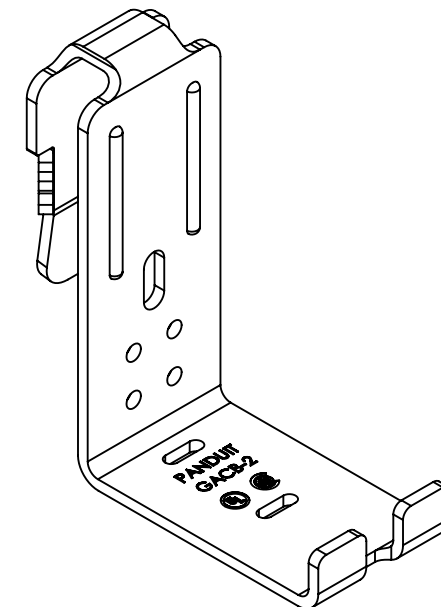
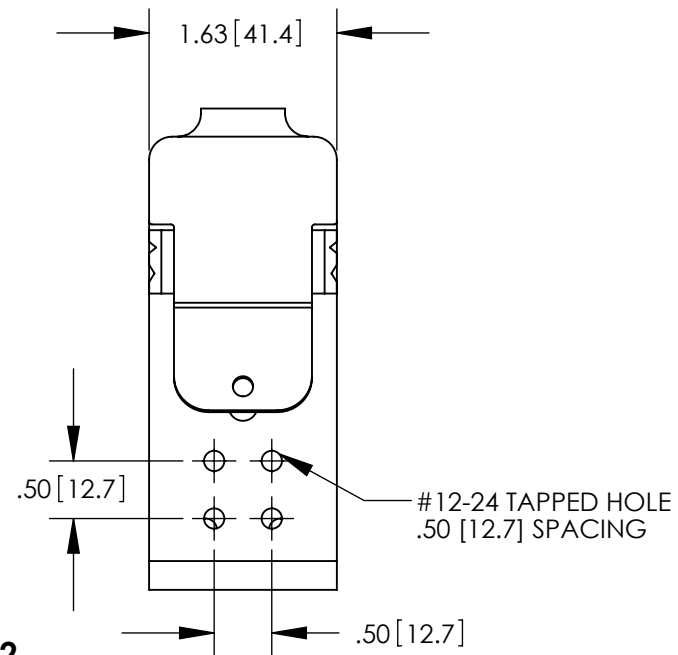
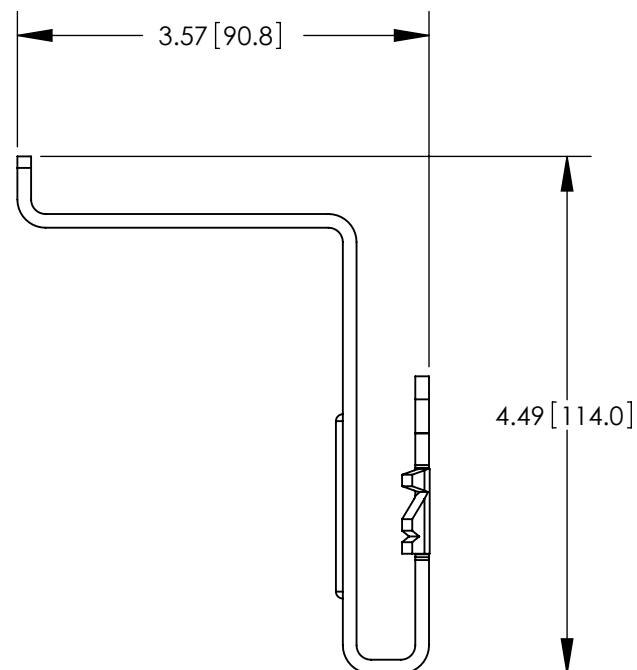


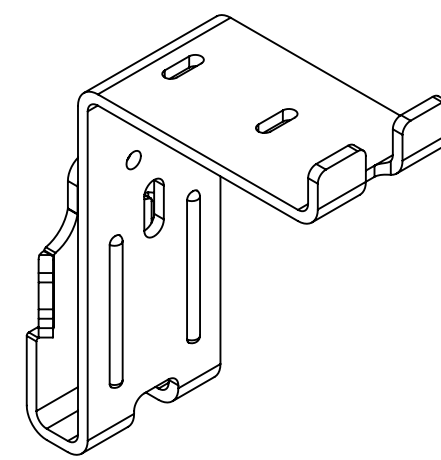
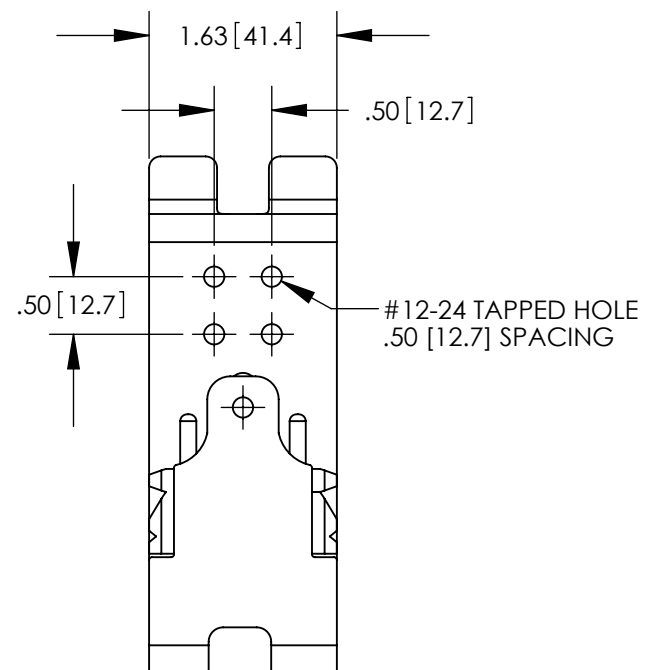
GACB-2



GACB-2



GACB-3



GACB-3

NOTES

1. MATERIAL: 0.12 [3.0] THICK STEEL, ZINC PLATED
2. UL LISTED 467 FOR GROUNDING AND BONDING
3. CSA CERTIFIED 22.2
4. COMPATIBLE WITH PANDUIT Wyr-Grid & 1-1/2" & 2" SIDE CHANNEL LADDER RACK.
5. DIMENSIONS IN INCHES. DIMENSIONS IN BRACKETS ARE MILLIMETERS



										PANDUIT CORP. TINLEY PARK, ILLINOIS			
										GROUND AUXILIARY CABLE BRACKET (GACB-2, GACB-3) CUSTOMER DRAWING			
										UNLESS OTHERWISE SPECIFIED DIMENSIONAL TOLERANCES ARE: (.X) ± (.XXX) ± (.XX) ± ANGLES ±		UNLESS OTHERWISE SPECIFIED, ALL DIMENSIONS ARE GIVEN IN INCHES, THIRD ANGLE PROJECTION	
										DRAWN BY JHNU		SCALE NONE	
										DATE 3/11		DRAWING NO / CAD FILE 10D013BN-DC	
										CHK'D		DWG B SIZE	
00	9/11	JHNU	RGB	RELEASED TO PRODUCTION	10D013BN-DC	RGB	RGB						
REV	DATE	BY	CHK	DESCRIPTION	ECN	-R	SUP						